

(12) **UK Patent Application** (19) **GB** (11) **2 426 835** (13) **A**

(43) Date of Printing by UK Office **06.12.2006**

(21) Application No: **0618944.3**

(22) Date of Filing: **01.02.2005**

(30) Priority Data:
(31) **10796723** (32) **09.03.2004** (33) **US**

(86) International Application Data:
PCT/US2005/003613 En 01.02.2005

(87) International Publication Data:
WO2005/093304 En 06.10.2005

(71) Applicant(s):
**MKS Instruments Inc
(Incorporated in USA - Massachusetts)
90 Industrial Way, Wilmington, MA 01887,
United States of America**

(72) Inventor(s):
**Ali Shajii
Siddharth Nagarkatti**

(continued on next page)

(51) INT CL:
**G05D 16/20 (2006.01) G05D 7/01 (2006.01)
G05D 7/06 (2006.01)**

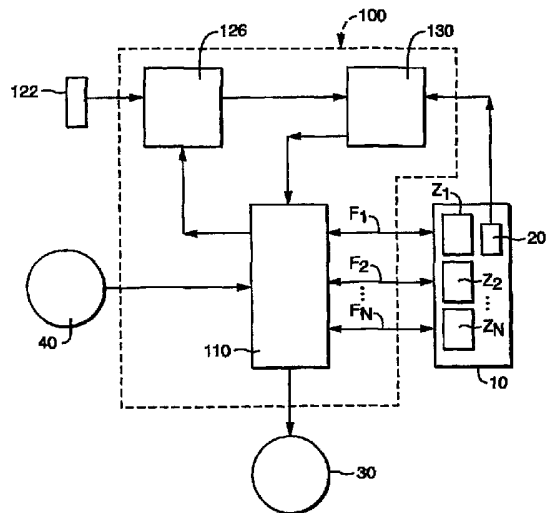
(52) UK CL (Edition X):
G3R RBF RBG29

(56) Documents Cited by ISA:
**US 5980361 A US 5916016 A
US 5551770 A US 20040118403 A1**

(58) Field of Search by ISA:
Other: **US: 137/14, 487.5; Database: WEST**

(54) Abstract Title: **System and method for controlling pressure in remote zones**

(57) A system for controlling fluid flow through i lines, wherein the i lines are connectable through tubing to i zones, respectively, and wherein $i = 1, 2, \dots, N$. The system includes at least one valve and a pressure transducer in each of the i lines, a control device for controlling the valves, and a zone pressure estimator. The zone pressure estimator is connected to the pressure transducers and is programmed to calculate an estimated pressure in each the i zones and provide the estimated pressures to the control device.



GB 2426835 A continuation

(74) Agent and/or Address for Service:
McDermott Will & Emery UK LLP
7 Bishopsgate, LONDON, EC2N 3AR,
United Kingdom