



US00D796631S

(12) **United States Design Patent**  
**Baillette**

(10) **Patent No.:** **US D796,631 S**

(45) **Date of Patent:** **\*\* Sep. 5, 2017**

- (54) **SPRAYER PART**
- (71) Applicant: **EXEL INDUSTRIES**, Epernay (FR)
- (72) Inventor: **Nicolas Baillette**, Boulogne Billancourt (FR)
- (\*\*) Term: **15 Years**
- (21) Appl. No.: **35/500,522**
- (22) Filed: **Jan. 6, 2016**
- (80) **Hague Agreement Data**  
 Int. Filing Date: **Jan. 6, 2016**  
 Int. Reg. No.: **DM/088953**  
 Int. Reg. Date: **Jan. 6, 2016**  
 Int. Reg. Pub. Date: **Jan. 29, 2016**

D452,051	S *	12/2001	Antonio	.....	D32/17
D454,468	S *	3/2002	Mano	.....	D7/317
D477,384	S *	7/2003	Williams	.....	D23/225
D478,964	S *	8/2003	Williams	.....	D23/225
6,626,380	B1 *	9/2003	Williams	.....	B05B 9/0861
					222/333
7,066,406	B2 *	6/2006	Williams	.....	B05B 15/008
					239/104
D536,063	S *	1/2007	Childs	.....	D23/213
D541,903	S *	5/2007	Hopper	.....	D23/225
D543,607	S *	5/2007	Meyhoefer	.....	D23/225
D553,896	S *	10/2007	Siecke	.....	D6/634
D568,441	S *	5/2008	Ballu	.....	D23/225
D568,961	S *	5/2008	Childs	.....	D23/213
D633,175	S *	2/2011	Swain	.....	D23/225
D640,349	S *	6/2011	Swain	.....	D23/225
D654,985	S *	2/2012	Swain	.....	D23/225
D662,179	S *	6/2012	Lin	.....	D23/223
D668,744	S *	10/2012	Swain	.....	D23/225
D675,713	S *	2/2013	Christensen	.....	D23/225
D729,903	S *	5/2015	Ramere	.....	D23/225
D742,999	S *	11/2015	Moya	.....	D23/225
D743,001	S *	11/2015	Moya	.....	D23/225

(Continued)

- (30) **Foreign Application Priority Data**  
 Jul. 7, 2015 (EM) ..... 002732628-0001

*Primary Examiner* — Richard E Chilcot

- (51) **LOC (10) Cl.** ..... **23-01**
- (52) **U.S. Cl.** ..... **D23/225**  
 USPC ..... **D23/225**
- (Continued)CPC ..... **B65D 83/20** (2013.01)
- (58) **Field of Classification Search**  
 USPC ..... D23/223–227, 213; 239/302, 332–337,  
 239/373  
 CPC ..... B65D 83/20  
 See application file for complete search history.

(57) **CLAIM**

The ornamental design for a sprayer part, as shown and described.

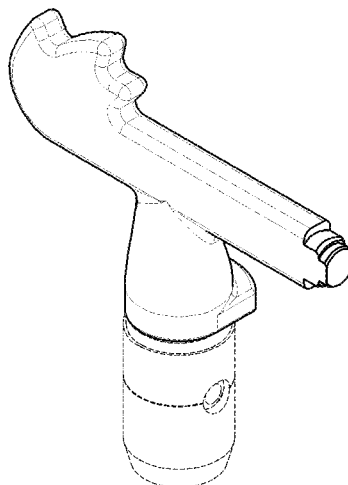
**DESCRIPTION**

- 1. Sprayer part
- 1.1 : Perspective
- 1.2 : Front
- 1.3 : Back
- 1.4 : Right
- 1.5 : Left
- 1.6 : Top
- 1.7 : Bottom

Elements drawn in broken lines show environmental structure of the spray gun and form no part of the claimed design. A handle for a reversible nozzle of a spray gun.

**1 Claim, 7 Drawing Sheets**

- (56) **References Cited**  
 U.S. PATENT DOCUMENTS  
 D235,063 S \* 5/1975 Gunzel, Jr. .... D23/225  
 3,940,069 A \* 2/1976 Gunzel, Jr. .... B05B 7/12  
 222/331  
 D322,838 S \* 12/1991 Hagedorn ..... D23/225  
 D393,187 S \* 4/1998 Shfaram ..... D8/1  
 D432,372 S \* 10/2000 Iacofano ..... D23/225  
 D449,138 S \* 10/2001 Dodson ..... D32/18



(56)

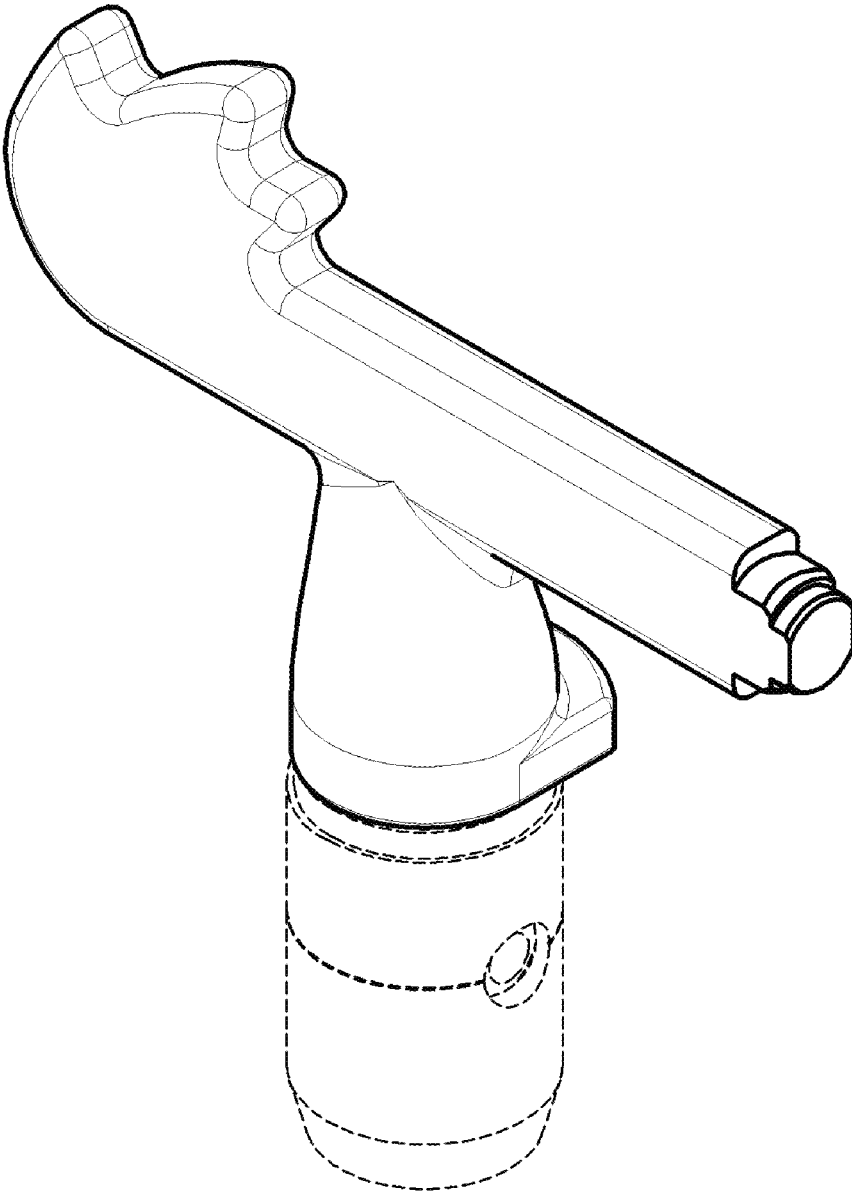
**References Cited**

U.S. PATENT DOCUMENTS

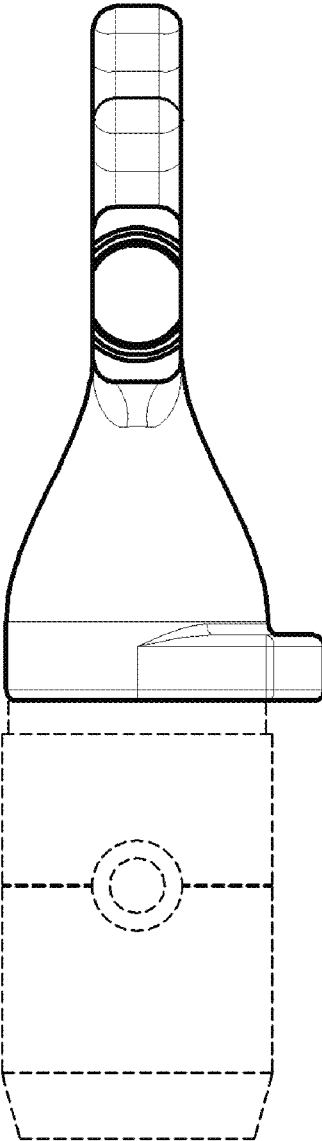
D760,870 S \* 7/2016 Popek ..... D23/225  
D761,937 S \* 7/2016 Popek ..... D23/225

\* cited by examiner

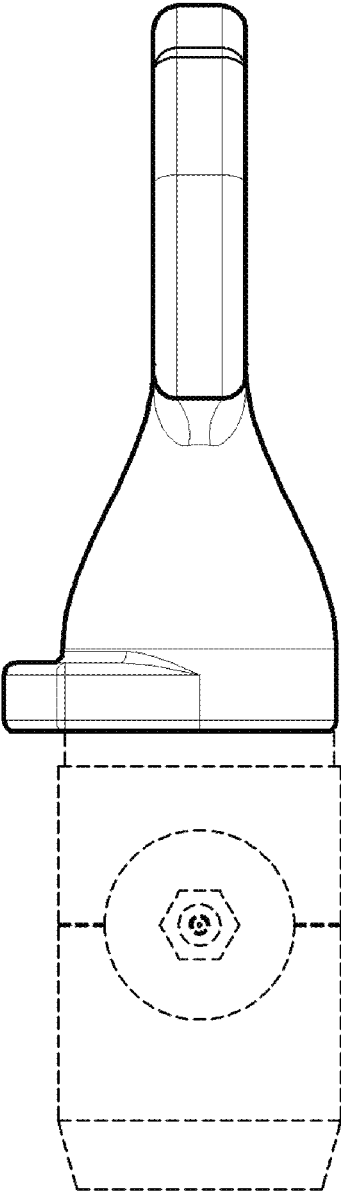
1.1



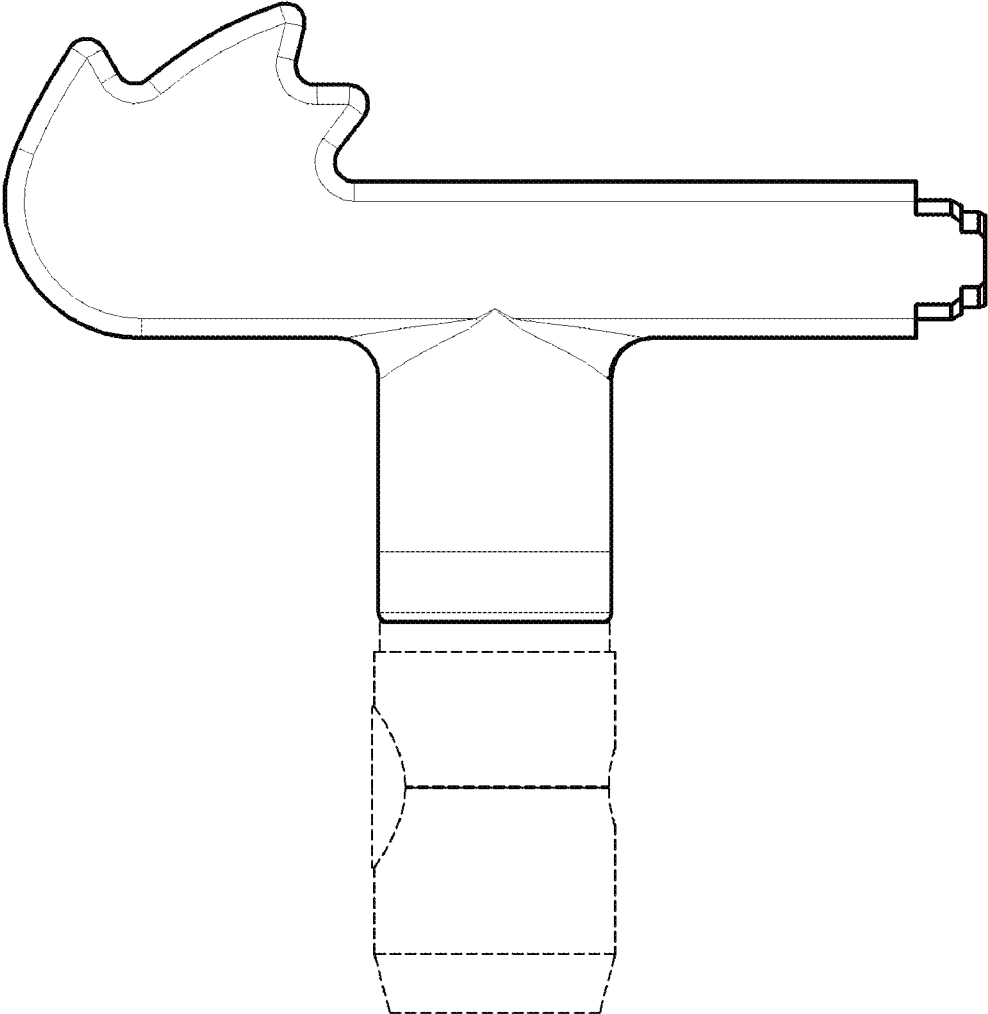
1.2



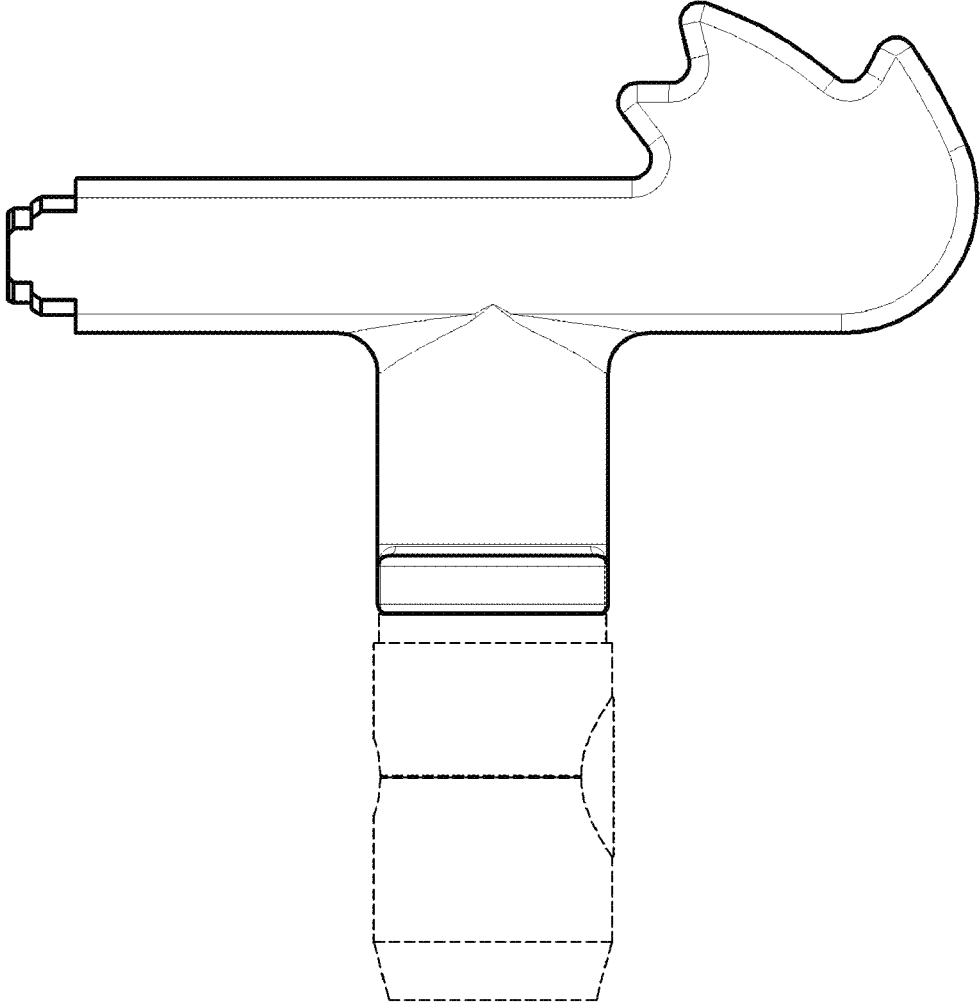
1.3



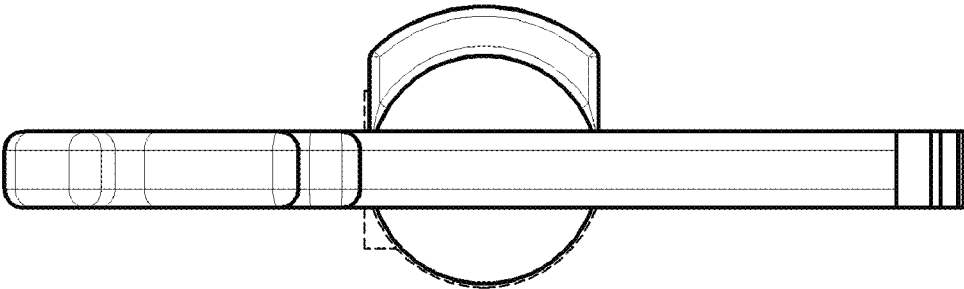
1.4



1.5



1.6





1.7

