



US00D983852S

(12) **United States Design Patent** (10) **Patent No.:** **US D983,852 S**  
**Kobayashi et al.** (45) **Date of Patent:** **\*\* Apr. 18, 2023**

(54) <b>RACK FOR DELIVERY ROBOT</b>	D826,302 S *	8/2018	Tsukamoto	.....	D15/199
	10,041,504 B2 *	8/2018	Stewart	.....	F04D 29/646
(71) Applicant: <b>TOYOTA JIDOSHA KABUSHIKI</b>	D834,080 S *	11/2018	Tsukamoto	.....	D15/199
<b>KAISHA, Toyota (JP)</b>	D883,354 S *	5/2020	Jafarzadeh	.....	D15/199
	D888,220 S *	6/2020	Peet	.....	D23/370
(72) Inventors: <b>Hiroyuki Kobayashi, Mitaka (JP);</b>	D888,928 S *	6/2020	Hodgson	.....	D23/370
<b>Zixun Mei, Edogawa-ku (JP); Takashi</b>	D917,592 S *	4/2021	Mei	.....	D15/199
<b>Nishimura, Chofu (JP)</b>	2013/0028763 A1 *	1/2013	Staniforth	.....	F04D 29/705
					417/423.5
(73) Assignee: <b>Toyota Jidosha Kabushiki Kaisha,</b>	2015/0084214 A1 *	3/2015	Wilson	.....	F04D 25/08
<b>Toyota (JP)</b>					261/32
	2018/0194411 A1 *	7/2018	Liivik	.....	B60G 5/01

(\*\*) Term: **15 Years**

(21) Appl. No.: **29/801,692**

(22) Filed: **Jul. 30, 2021**

(30) **Foreign Application Priority Data**

Feb. 3, 2021 (JP) ..... 2021-002402 D

(51) **LOC (14) Cl.** ..... **15-99**

(52) **U.S. Cl.**  
USPC ..... **D15/199**

(58) **Field of Classification Search**

USPC ..... D12/14, 86, 88, 90, 91; D15/199, 578;  
D34/34  
CPC ..... B25J 5/007; B25J 11/008; B60G 2300/07;  
B66F 9/063; G05D 1/0238; G05D  
1/0214; G06Q 10/0832; Y10S 901/00;  
Y10S 901/01; Y10S 901/08

See application file for complete search history.

(56) **References Cited**

**U.S. PATENT DOCUMENTS**

D165,195 S \* 11/1951 Schlumbohm ..... 296/181.1  
D401,407 S \* 11/1998 Bro ..... D3/271.12  
D598,532 S \* 8/2009 Dyson ..... F04D 25/08  
D23/370  
D745,144 S \* 12/2015 Aylmer ..... D24/128  
D821,265 S \* 6/2018 Mäkelä ..... D3/271.12  
D822,736 S \* 7/2018 Kato ..... D15/199

**OTHER PUBLICATIONS**

IT media News: <https://www.itmedia.co.jp/news/articles/2012/15/news098.html>; Amazon Zoox; Zoox robotaxi; available on at least Dec. 15, 2020.

Toyota Global Newsroom: <https://global.toyota.jp/newsroom/corporate/29933339.html>; Toyota; Toyota e-Palette; available on at least Oct. 9, 2019.

\* cited by examiner

*Primary Examiner* — Patricia A Palasik  
(74) *Attorney, Agent, or Firm* — Finnegan, Henderson, Farabow, Garrett & Dunner, LLP

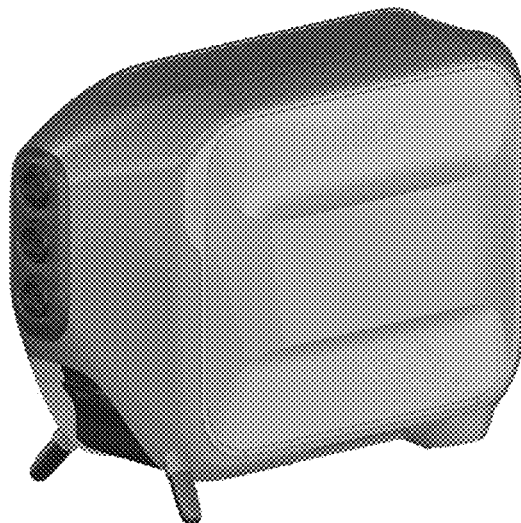
(57) **CLAIM**

The ornamental design for a rack for delivery robot, as shown and described.

**DESCRIPTION**

FIG. 1 is a front perspective view for a rack for delivery robot showing our new design;  
FIG. 2 is a rear perspective view thereof;  
FIG. 3 is a front view thereof;  
FIG. 4 is a rear view thereof;  
FIG. 5 is a right side view thereof  
FIG. 6 is a left side view thereof;  
FIG. 7 is a top view thereof; and,  
FIG. 8 is a bottom view thereof.

**1 Claim, 8 Drawing Sheets**





**FIG. 1**



FIG. 2

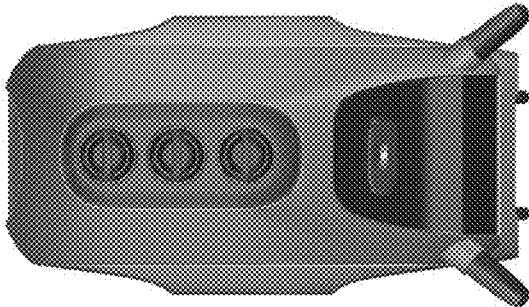
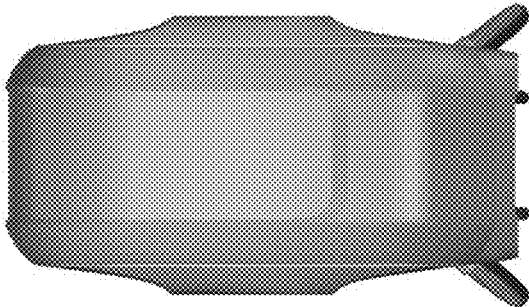


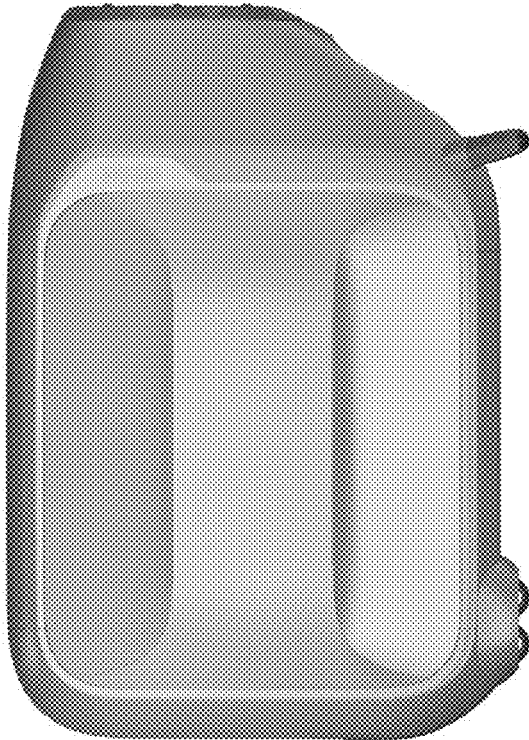
FIG. 3



**FIG. 4**



**FIG. 5**



**FIG. 6**

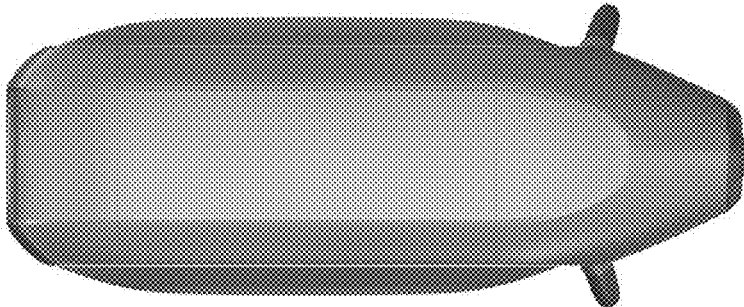


FIG. 7



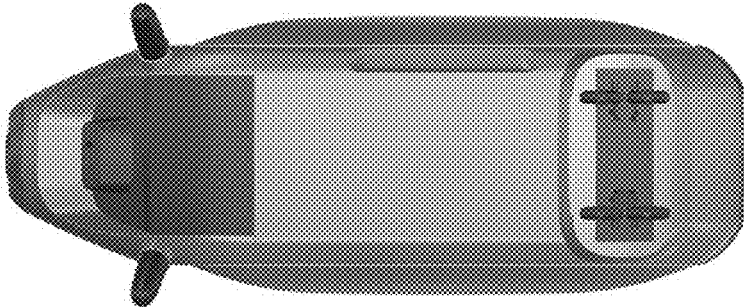


FIG. 8