



US00D704072S

(12) **United States Design Patent**
Akana et al.

(10) **Patent No.:** **US D704,072 S**

(45) **Date of Patent:** **** May 6, 2014**

(54) **PACKAGING WITH ACCESSORIES**

(75) Inventors: **Jody Akana**, San Francisco, CA (US); **Bartley K. Andre**, Palo Alto, CA (US); **Shota Aoyagi**, San Francisco, CA (US); **Jeremy Bataillou**, San Francisco, CA (US); **Daniel J. Coster**, San Francisco, CA (US); **Daniele De Iuliis**, San Francisco, CA (US); **M. Evans Hankey**, San Francisco, CA (US); **Julian Hoenig**, San Francisco, CA (US); **Richard P. Howarth**, San Francisco, CA (US); **Jonathan P. Ive**, San Francisco, CA (US); **Duncan Robert Kerr**, San Francisco, CA (US); **Shin Nishibori**, Kailua, HI (US); **Matthew Dean Rohrbach**, San Francisco, CA (US); **Peter Russell-Clarke**, San Francisco, CA (US); **Mikael Silvano**, San Francisco, CA (US); **Christopher J. Stringer**, Woodside, CA (US); **Eugene Antony Whang**, San Francisco, CA (US); **Rico Zörkendörfer**, San Francisco, CA (US)

(73) Assignee: **Apple Inc.**, Cupertino, CA (US)

(**) Term: **14 Years**

(21) Appl. No.: **29/431,882**

(22) Filed: **Sep. 12, 2012**

(51) **LOC (10) Cl.** **09-01**

(52) **U.S. Cl.**
USPC **D9/721**

(58) **Field of Classification Search**
USPC D9/414, 418, 423, 424, 425, 426, 430, D9/432, 455, 456, 457, 737; 206/38, 192, 206/199, 201, 203, 214, 216, 223, 370, 467, 206/471, 557, 562, 564, 570, 581, 769, 770, 206/775, 776, 777, 820, 823; 229/100, 229/103.3, 162.1, 117.03-117.08, 186, 917, 229/933, 937, 942

See application file for complete search history.

(56) **References Cited**

U.S. PATENT DOCUMENTS

1,315,593 A 9/1919 Binder
D273,178 S * 3/1984 Dunlap D9/721

(Continued)

OTHER PUBLICATIONS

Jacostore.co.uk, "Black Ladybird Beetle Earphones," (<http://www.jacostore.co.uk/black-ladybird-beetle-earphones-45-p.asp>), accessed Oct. 19, 2012.

(Continued)

Primary Examiner — Derrick Holland

Assistant Examiner — Lauren Calve

(74) *Attorney, Agent, or Firm* — Sterne, Kessler, Goldstein & Fox PLLC

(57) **CLAIM**

The ornamental design for packaging with accessories, as shown and described.

DESCRIPTION

FIG. 1 is a front perspective view of packaging with accessories showing our new design;

FIG. 2 is another front perspective view thereof in combination with environment with which the packaging with accessories may be used;

FIG. 3 is a front view thereof;

FIG. 4 is a rear view thereof;

FIG. 5 is a left side view thereof;

FIG. 6 is a right side view thereof;

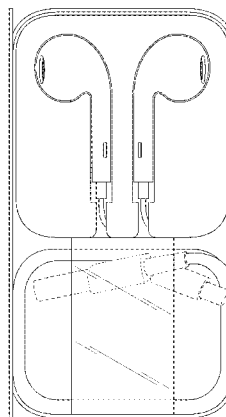
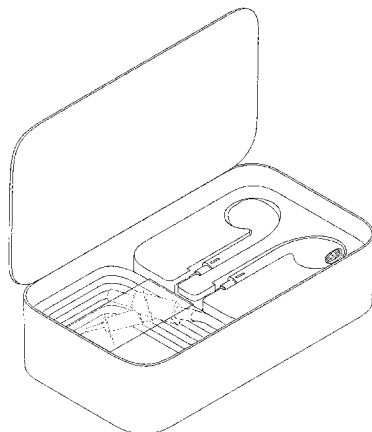
FIG. 7 is a top view thereof; and,

FIG. 8 is a bottom view thereof.

The broken lines in the Figures show portions of the packaging with accessories and environment that form no part of the claimed design.

The shade lines in the Figures show transparency and not surface ornamentation.

1 Claim, 7 Drawing Sheets



(56)

References Cited

OTHER PUBLICATIONS

U.S. PATENT DOCUMENTS

4,542,822 A 9/1985 Kennedy, Jr. et al.
 4,938,344 A * 7/1990 McHale et al. 206/45.25
 5,394,983 A * 3/1995 Latulippe et al. 206/370
 5,462,170 A * 10/1995 Colgate 206/574
 D369,295 S 4/1996 Kobari et al.
 5,730,294 A * 3/1998 Blosser et al. 206/581
 D397,865 S 9/1998 Lin
 5,984,224 A 11/1999 Yang
 6,305,539 B1 10/2001 Sanders, Jr.
 6,571,956 B2 * 6/2003 Mann 206/581
 D506,744 S 6/2005 Andre et al.
 D531,025 S 10/2006 Tanner
 D580,752 S 11/2008 Andre et al.
 D601,884 S 10/2009 Andre et al.
 D604,501 S 11/2009 Lee
 D607,317 S 1/2010 Collins
 D621,256 S 8/2010 Andre et al.
 D633,388 S 3/2011 Andre et al.
 D649,449 S 11/2011 Akana et al.
 D658,492 S 5/2012 Akana et al.
 D659,530 S 5/2012 Akana et al.
 D668,143 S 10/2012 Akana et al.
 8,564,436 B2 * 10/2013 Oleen 340/545.6
 8,602,254 B2 * 12/2013 Ki 220/826
 2005/0194021 A1 * 9/2005 Byun 132/295
 2012/0128193 A1 * 5/2012 Stevinson 381/384

Akana et al., U.S. Appl. No. 29/431,563, "Earphones," filed Sep. 8, 2012 (Not Published).
 Akana et al., U.S. Appl. No. 29/431,731, "Stand," filed Sep. 11, 2012 (Not Published).
 Akana et al., U.S. Appl. No. 29/431,868, "Packaging," filed Sep. 11, 2012 (Not Published).
 Akana et al., U.S. Appl. No. 29/431,876, "Packaging with Accessory," filed Sep. 11, 2012 (Not Published).
 Akana et al., U.S. Appl. No. 29/431,877, "packaging with Accessories," filed Sep. 12, 2012 (Not Published).
 Akana et al., U.S. Appl. No. 29/431,920, "Packaging with Accessory," filed Sep. 12, 2012 (Not Published).
 Akana et al., U.S. Appl. No. 29/432,033, "Earphones," filed Sep. 12, 2012 (Not Published).
 Akana et al., U.S. Appl. No. 29/432,035, "Packaging with Accessories," filed Sep. 12, 2012 (Not Published).
 Akana et al., U.S. Appl. No. 29/432,147, "Packaging with Accessories," filed Sep. 13, 2012 (Not Published).
 Akana et al., U.S. Appl. No. 29/432,409, "Packaging with Accessories," filed Sep. 14, 2012 (Not Published).
 Birgers et al., U.S. Appl. No. 29/408,999, "Cable Hanking," filed Dec. 19, 2011 (Not published).
 Birgers et al., U.S. Appl. No. 29/409,740, "Cable Hanking," filed Dec. 28, 2011 (Not Published).

* cited by examiner

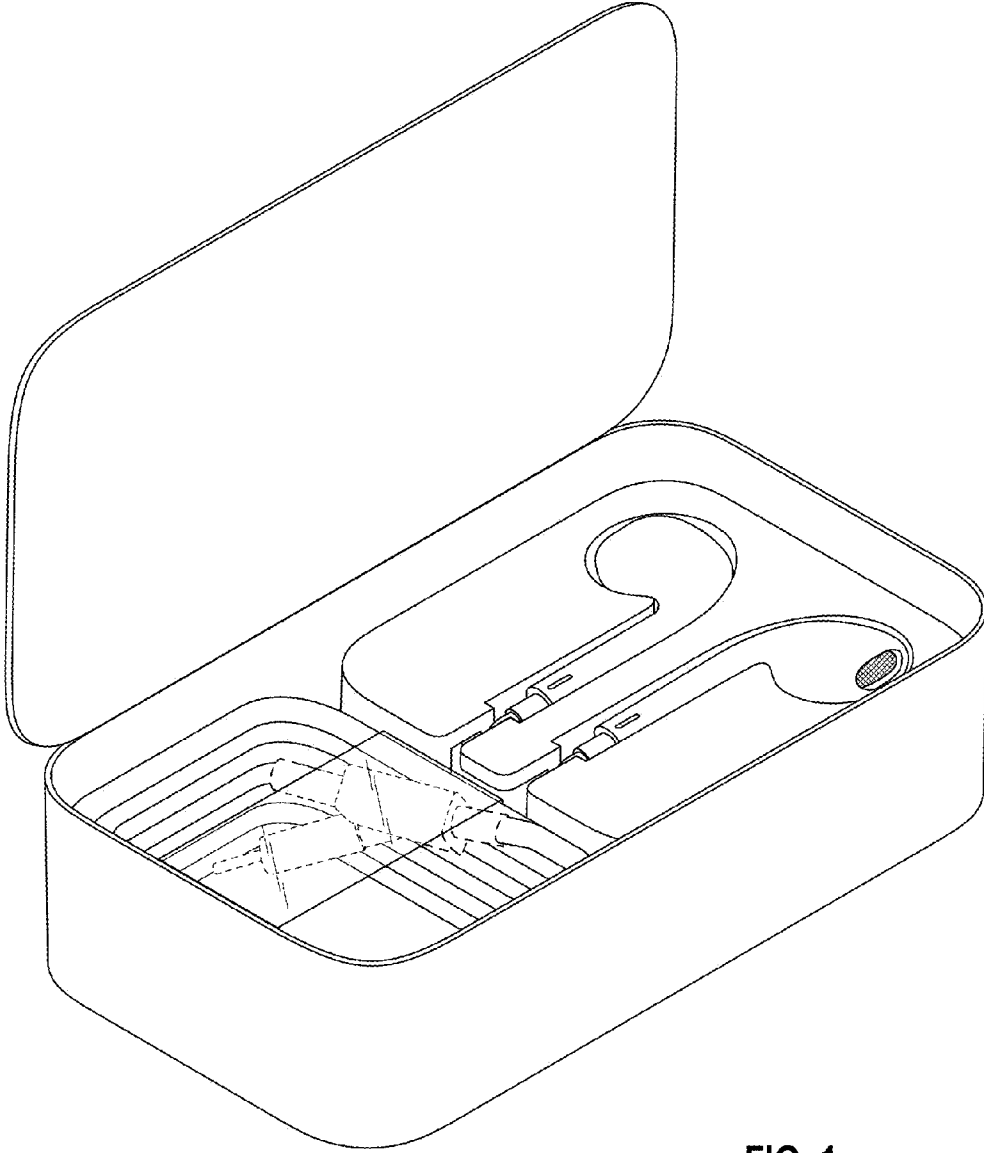


FIG. 1

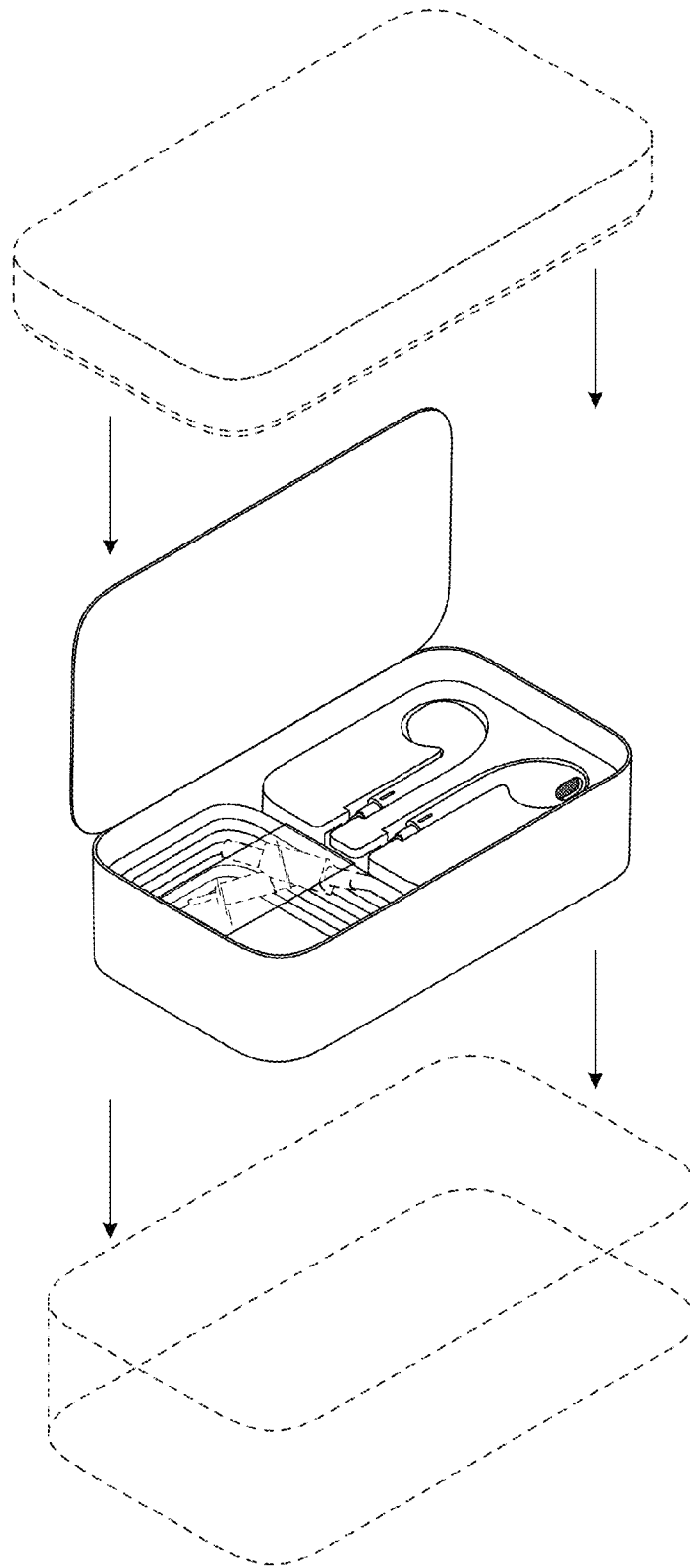


FIG. 2

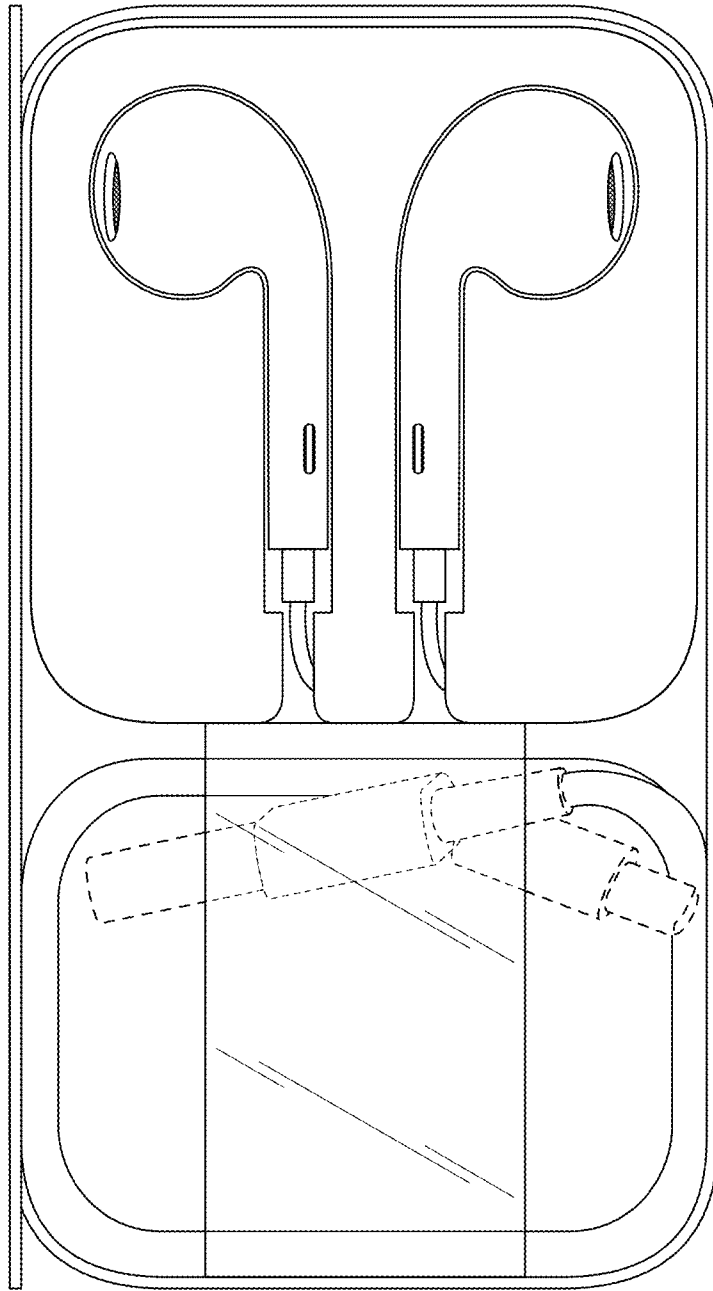


FIG. 3

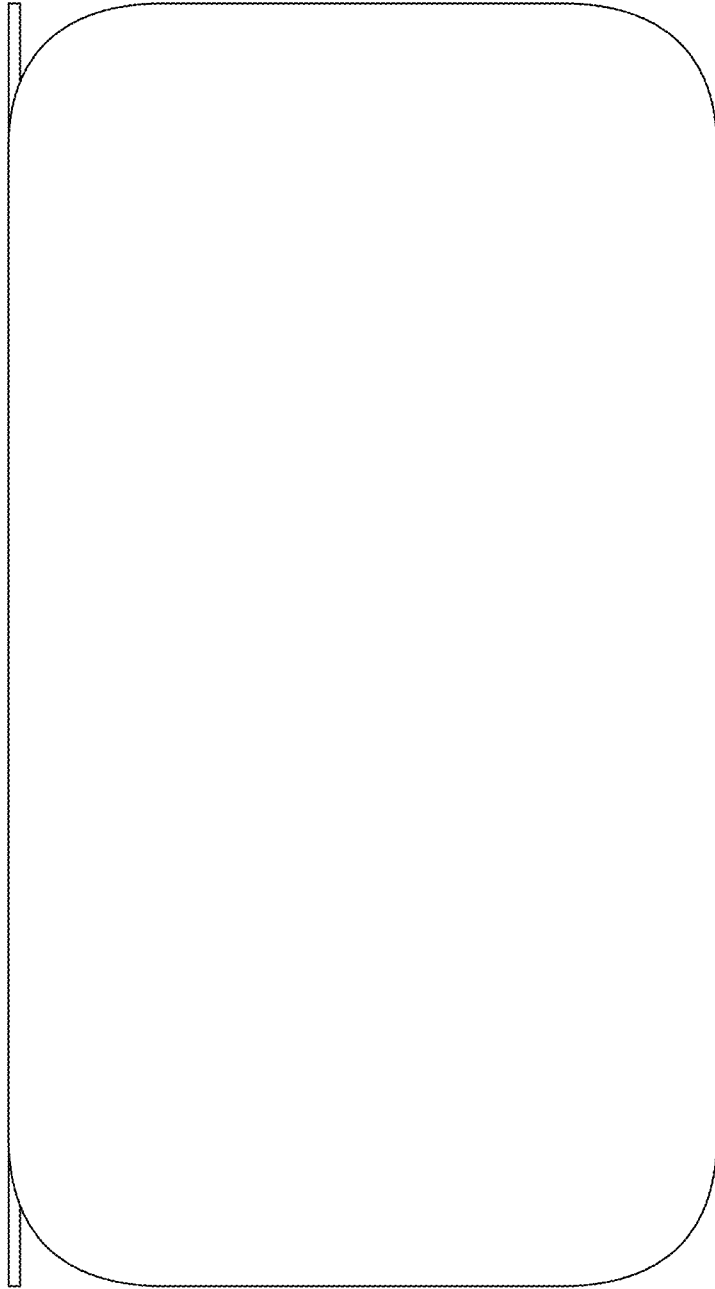


FIG. 4

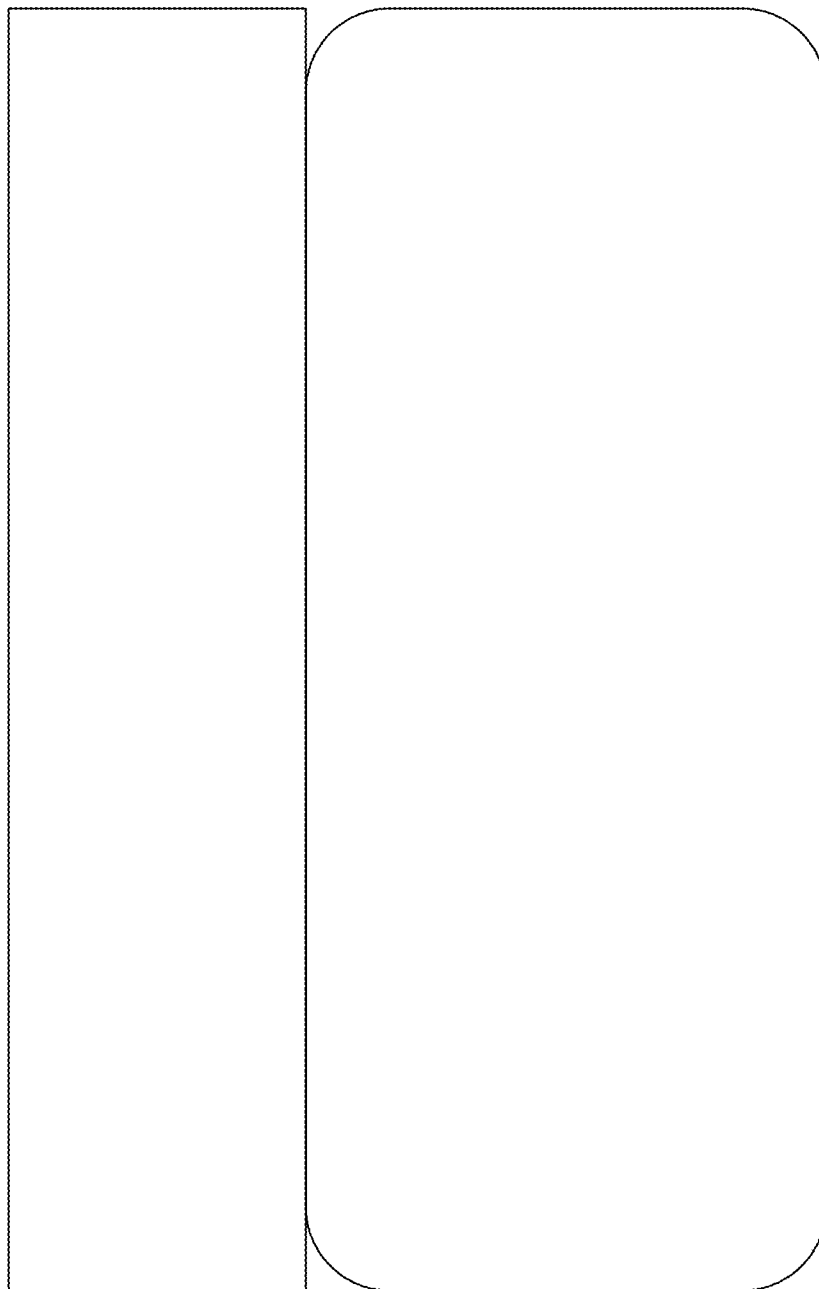


FIG. 5

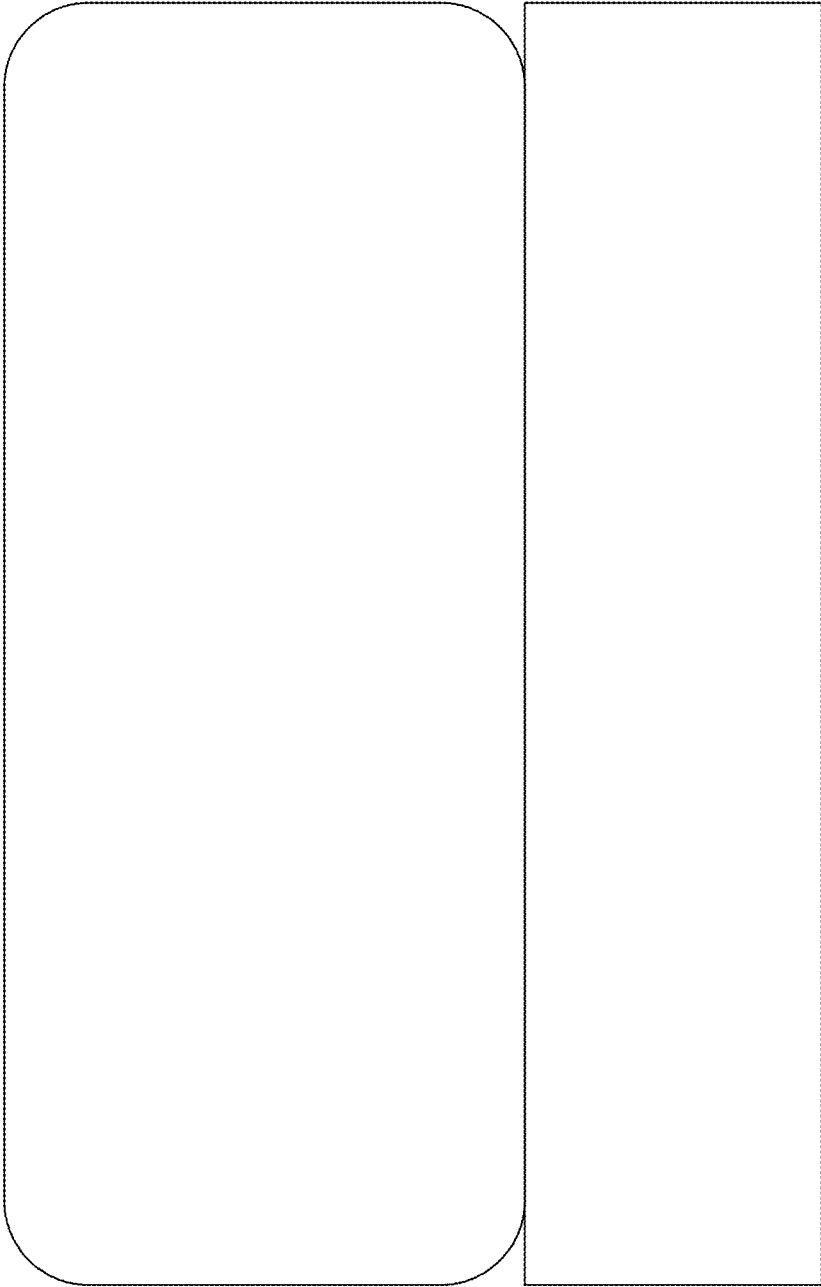


FIG. 6

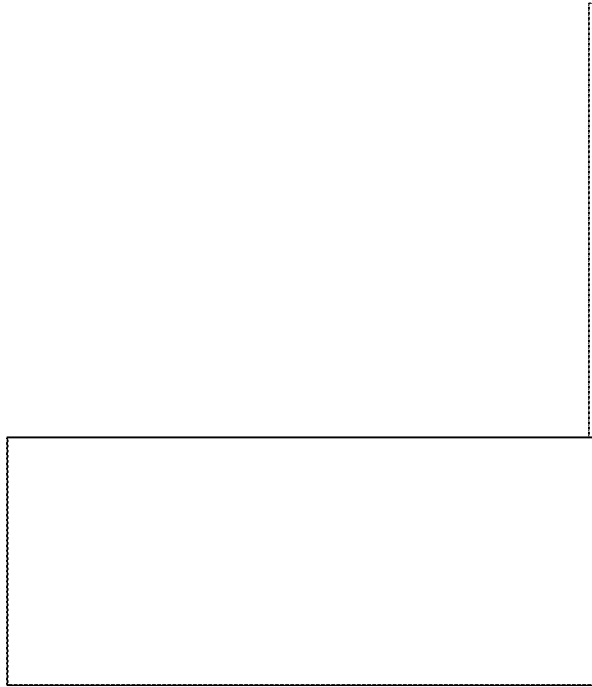


FIG. 7

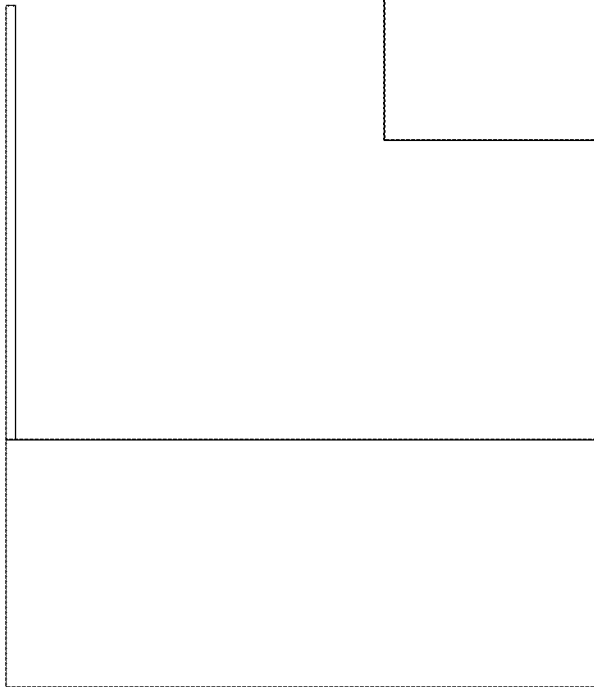


FIG. 8