



US00D728512S

(12) **United States Design Patent**
Nakagawa

(10) **Patent No.:** **US D728,512 S**

(45) **Date of Patent:** **** May 5, 2015**

(54) **HEADPHONES**

(71) Applicant: **Panasonic Corporation**, Osaka (JP)

(72) Inventor: **Hitoshi Nakagawa**, Osaka (JP)

(73) Assignee: **Panasonic Intellectual Property Management Co., Ltd.**, Osaka (JP)

(**) Term: **14 Years**

(21) Appl. No.: **29/491,028**

(22) Filed: **May 15, 2014**

(30) **Foreign Application Priority Data**

Mar. 10, 2014 (JP) 2014-004924
Mar. 10, 2014 (JP) 2014-004925

(51) **LOC (10) Cl.** **14-01**

(52) **U.S. Cl.**
USPC **D14/205**

(58) **Field of Classification Search**
CPC H04R 25/00
USPC D14/205; D29/112; 181/129, 130, 135;
379/430, 431; 381/380, 381; 455/90.3,
455/575.1; 2/209, 423, 425
See application file for complete search history.

(56) **References Cited**

U.S. PATENT DOCUMENTS

2,782,423	A *	2/1957	Simon et al.	2/209
3,512,088	A *	5/1970	Ross	455/149
D235,210	S *	5/1975	Hill	D14/205
3,943,574	A *	3/1976	Yamaguchi et al.	2/9
D246,259	S *	11/1977	Nishimura et al.	D14/205
D246,519	S *	11/1977	Kato	D14/205
D254,183	S *	2/1980	Doodson	D14/205
4,409,442	A *	10/1983	Kamimura	381/383
4,471,496	A *	9/1984	Gardner et al.	2/209
5,018,599	A *	5/1991	Dohi et al.	181/129
D345,163	S *	3/1994	Yamatogi	D14/205

D358,389	S *	5/1995	Isono	D14/205
D409,197	S *	5/1999	Nakamura	D14/205
D410,466	S *	6/1999	Mouri	D14/205
D420,356	S *	2/2000	Suzuki	D14/205
6,081,604	A *	6/2000	Hikichi et al.	381/371
D435,249	S *	12/2000	Yasutomi	D14/205
6,263,085	B1 *	7/2001	Weffer	381/371
6,392,196	B1 *	5/2002	Lin	219/211
D467,580	S *	12/2002	Mori	D14/223
6,654,966	B2 *	12/2003	Rolla	2/209
D510,335	S *	10/2005	Suzuki	D14/205
7,172,052	B2 *	2/2007	Lenhard-Backhaus	181/129
D538,261	S *	3/2007	Taylor et al.	D14/205
D552,077	S *	10/2007	Brunner et al.	D14/205
D567,215	S *	4/2008	Lee	D14/205
7,388,960	B2 *	6/2008	Kuo et al.	381/186

(Continued)

FOREIGN PATENT DOCUMENTS

JP D1445939 7/2012

Primary Examiner — Paula Greene

(74) *Attorney, Agent, or Firm* — Panasonic Patent Center

(57) **CLAIM**

I claim the ornamental design for headphones, as shown and described.

DESCRIPTION

FIG. 1 is a front perspective view of a first embodiment of headphones of the present invention;
FIG. 2 is a front view thereof;
FIG. 3 is a rear view thereof;
FIG. 4 is a first side view thereof;
FIG. 5 is a second side view thereof;
FIG. 6 is a top view thereof; and,
FIG. 7 is a bottom view thereof.

The broken line showing of headphones is included for the purpose of illustrating environment and forms no part of the claimed design. Additionally, the unevenly broken lines in the drawings define the limits of the claimed design.

1 Claim, 7 Drawing Sheets



(56)

References Cited

U.S. PATENT DOCUMENTS

D603,370	S	*	11/2009	Suzuki	D14/205	D673,520	S	*	1/2013	Tan	D14/205
D632,668	S	*	2/2011	Brunner et al.	D14/205	D683,329	S		5/2013	Hagelin		
D637,176	S	*	5/2011	Brunner et al.	D14/205	D692,853	S	*	11/2013	Nokuo	D14/205
D657,344	S	*	4/2012	Brunner et al.	D14/205	D696,226	S	*	12/2013	Brunner et al.	D14/205
D673,519	S	*	1/2013	Tan	D14/205	D704,163	S	*	5/2014	Brunner et al.	D14/205
							D707,200	S	*	6/2014	Yang	D14/205
							D722,302	S	*	2/2015	Lee et al.	D14/205

* cited by examiner

FIG. 1

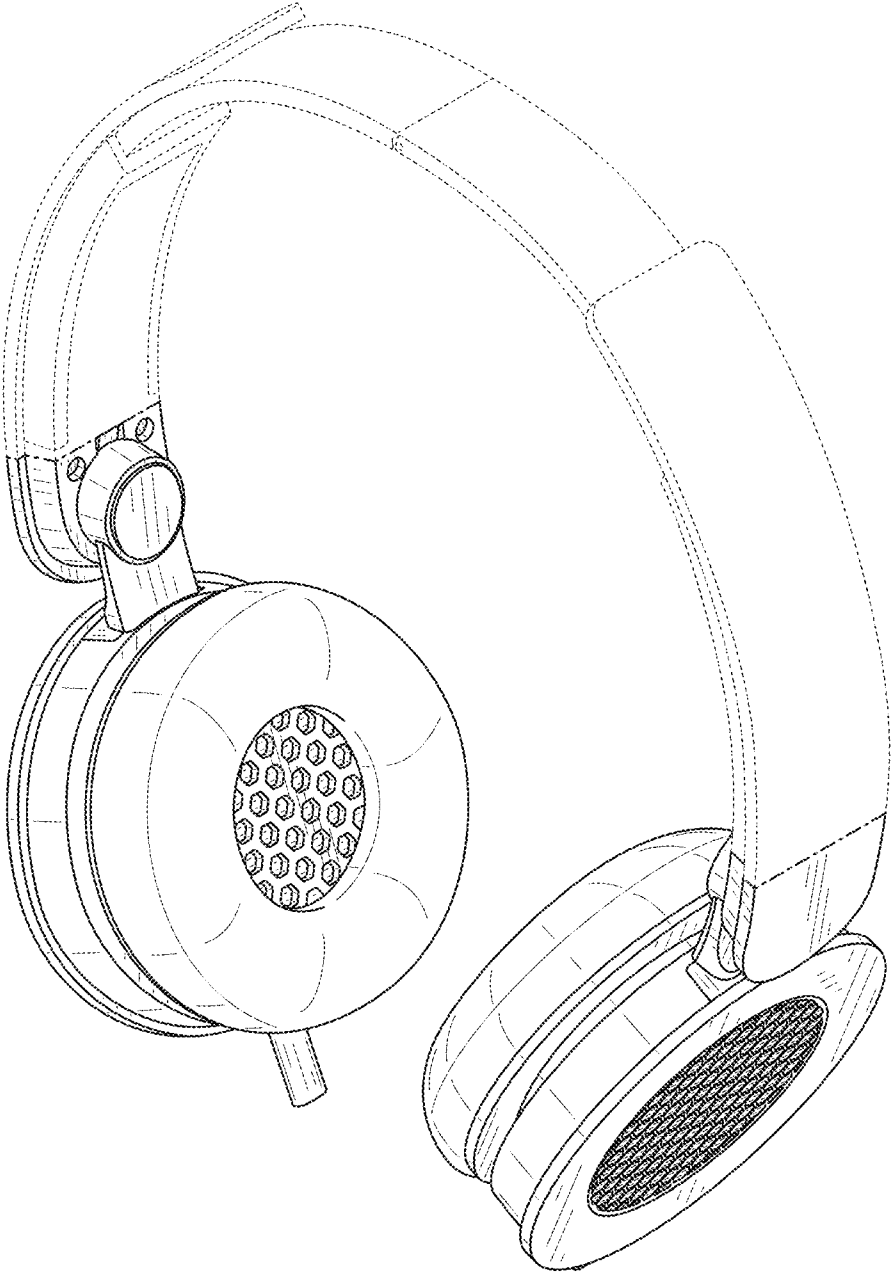


FIG. 2

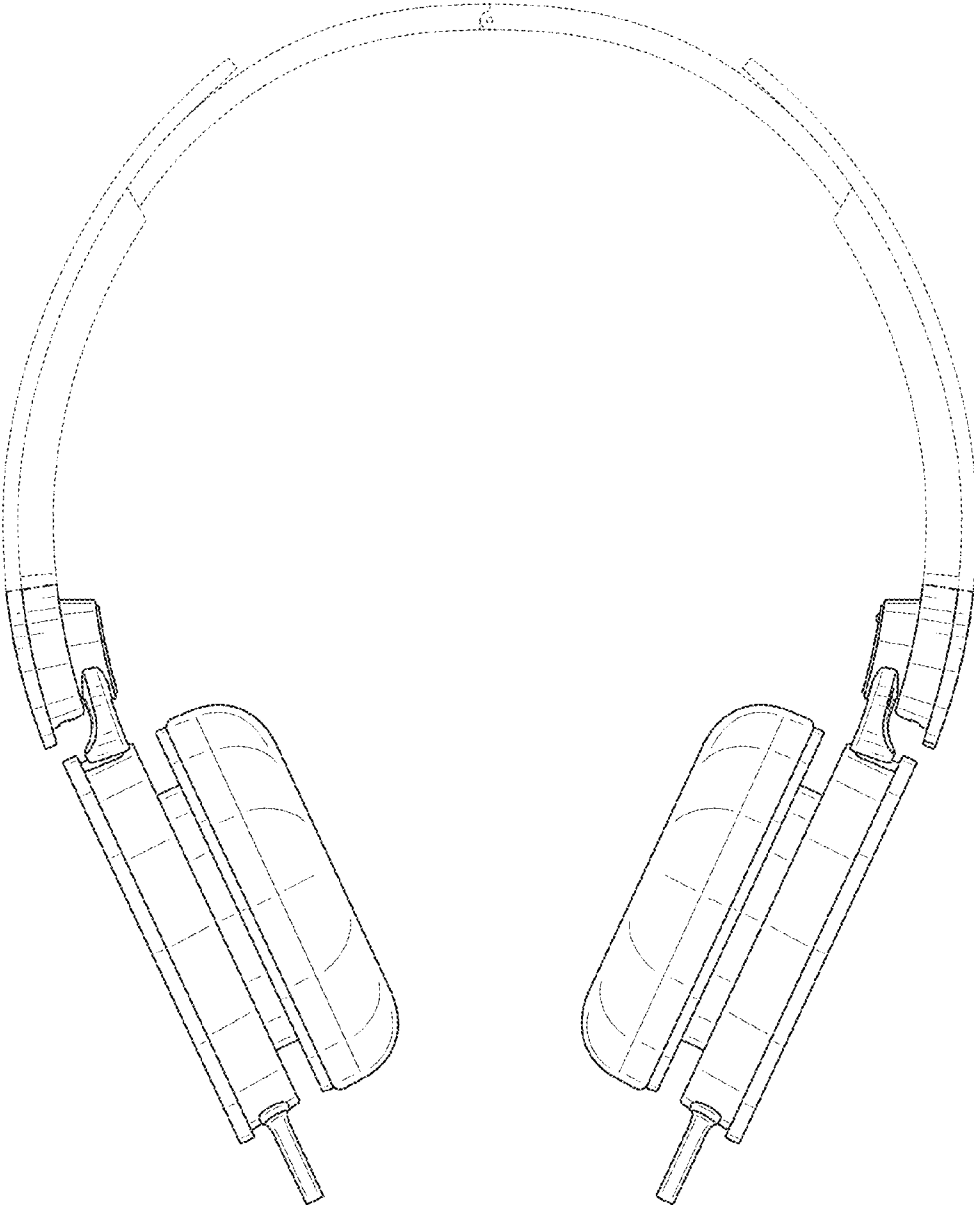


FIG. 3

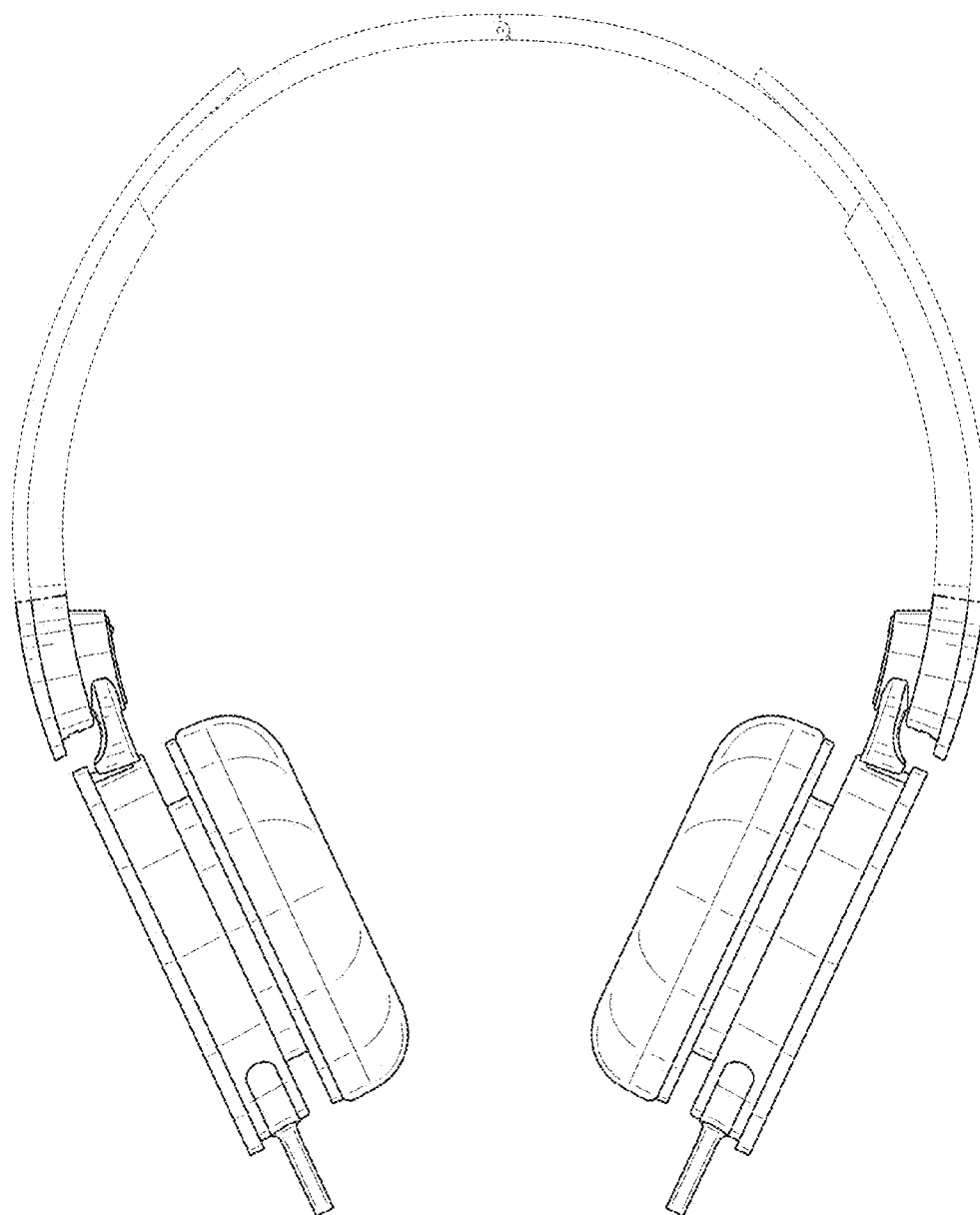


FIG. 4

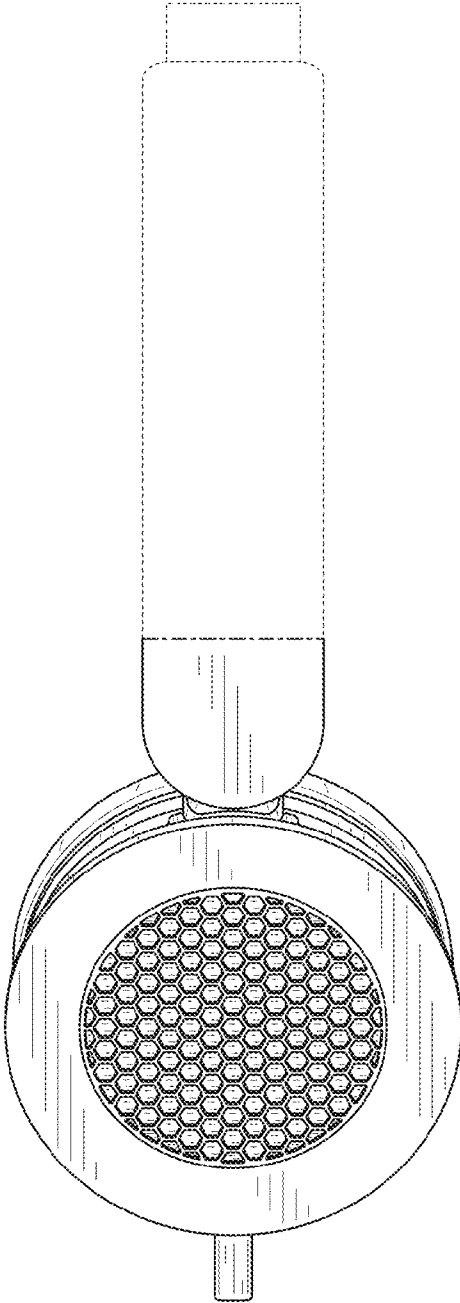


FIG. 5

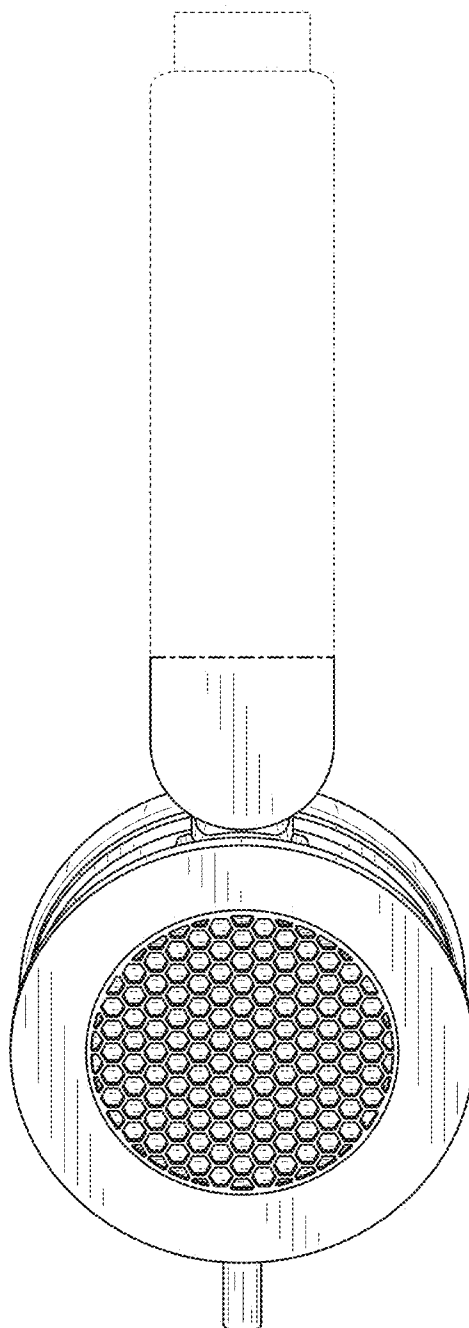


FIG. 6

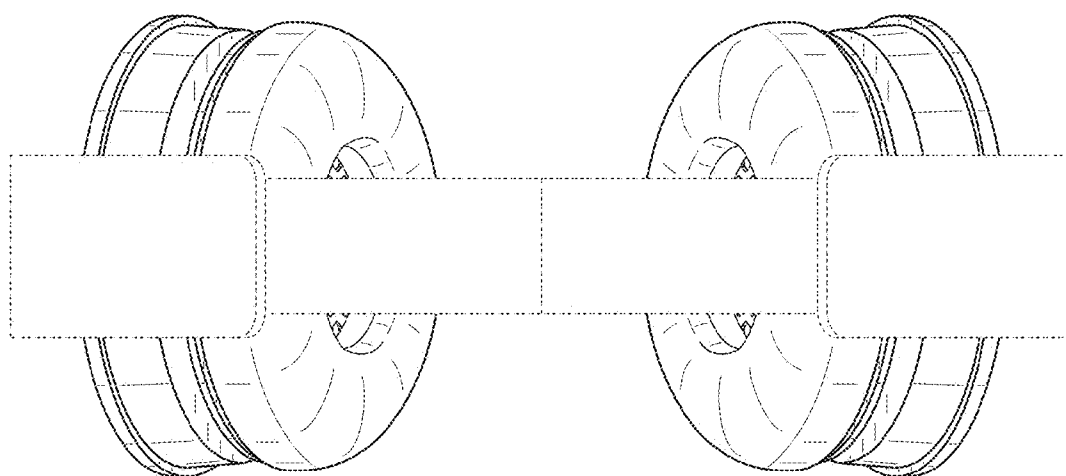


FIG. 7

