



US00D344605S

United States Patent [19]
Aspenwall

[11] **Patent Number: Des. 344,605**

[45] **Date of Patent: ** Feb. 22, 1994**

[54] **FLUORESCERNT LIGHT FOR DISPLAY CABINET**

5,040,101 8/1991 Aspenwall .
5,245,518 9/1993 Aspenwall .

[76] **Inventor: John E. Aspenwall, 2000 North Main, Spanish Fork, Utah 84660**

[**] **Term: 14 Years**

[21] **Appl. No.: 801,112**

[22] **Filed: Dec. 2, 1991**

[52] **U.S. Cl. D26/76**

[58] **Field of Search 362/147, 404-408, 362/432, 125; D26/72, 80-92, 75, 76, 77, 78, 24**

[56] **References Cited**

U.S. PATENT DOCUMENTS

D. 192,124	1/1962	Michaud	D26/76
845,652	2/1907	La Berge .	
2,336,587	12/1943	Bixby .	
3,064,124	11/1962	Husby et al. .	
4,535,393	8/1985	Aspenwall .	
4,598,341	7/1986	Brackhahn et al. .	
4,739,454	4/1988	Federgreen .	
4,994,943	2/1991	Aspenwall .	

OTHER PUBLICATIONS

Zumtobel Lighting Inc. Spheros Indirect/Direct Luminaires Brochure, ©1989, Luminaire SID-C (gr. 2900—Fluorescent Lamp Box).

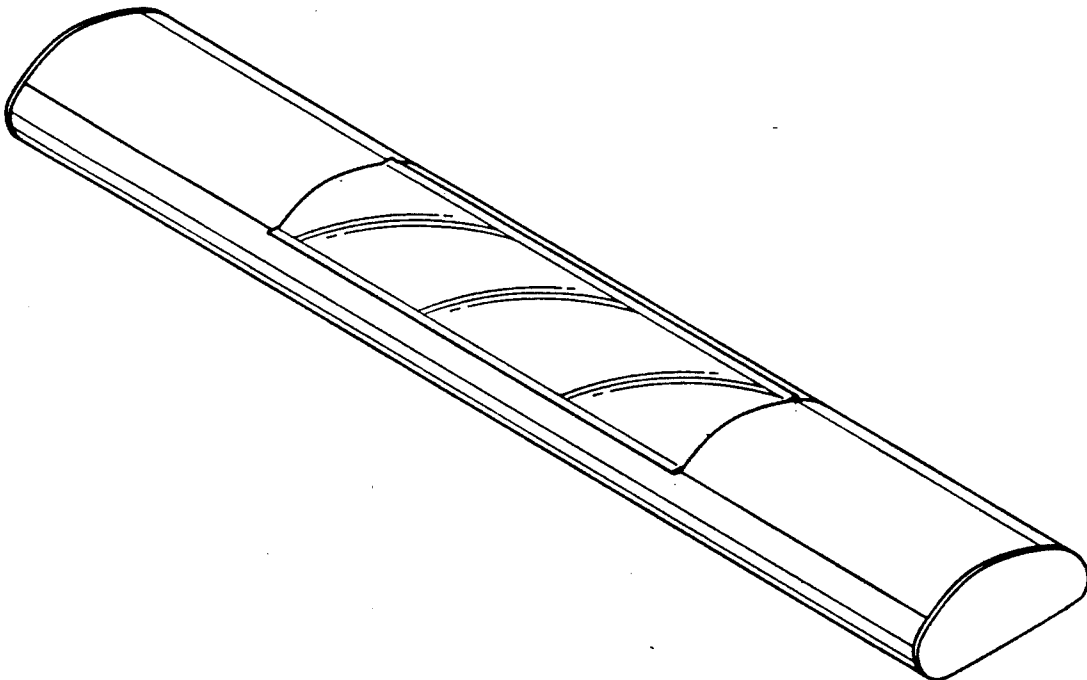
Primary Examiner—Susan J. Lucas
Attorney, Agent, or Firm—M. Reid Russell

[57] **CLAIM**

The ornamental design for a fluorescent light for display cabinet, as shown and described.

DESCRIPTION

FIG. 1 is a profile perspective view showing a side and bottom of the fluorescent light for display cabinet showing my new design;
FIG. 2 is a bottom plan view thereof;
FIG. 3 is a top plan view thereof;
FIG. 4 is a side elevation view thereof, the one side view being the mirror image of the other; and,
FIG. 5 is an end elevation view thereof, the one end view being the mirror image of the other.



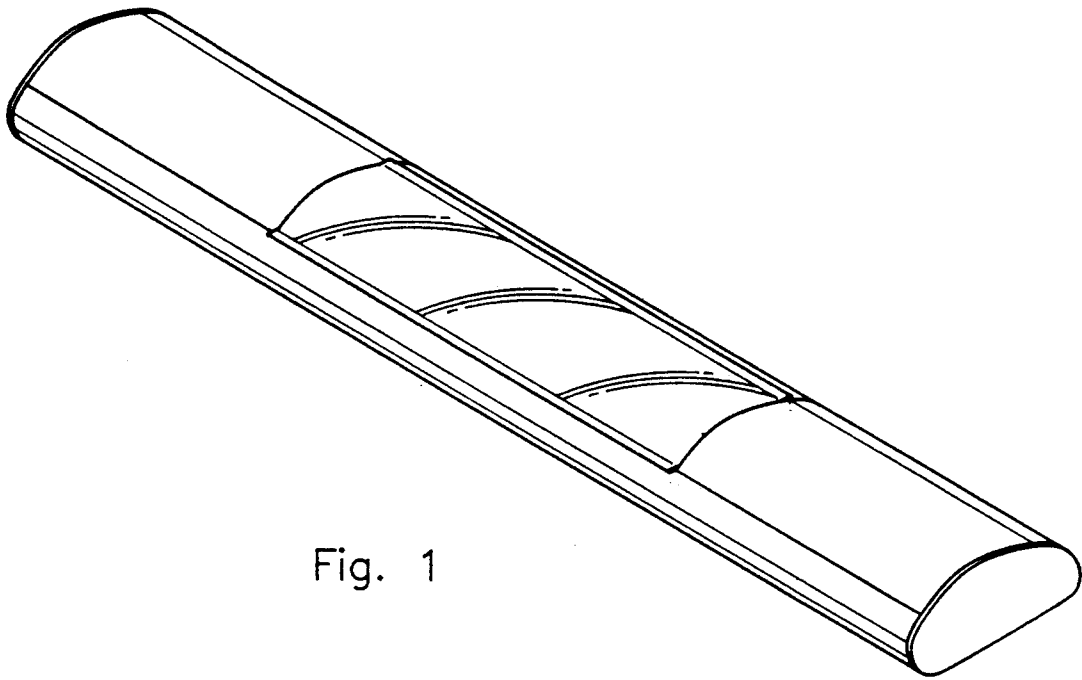


Fig. 1

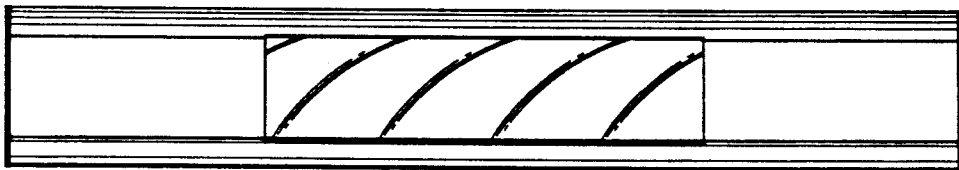


Fig. 2

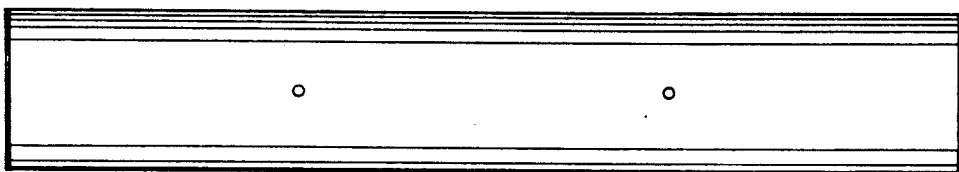


Fig. 3

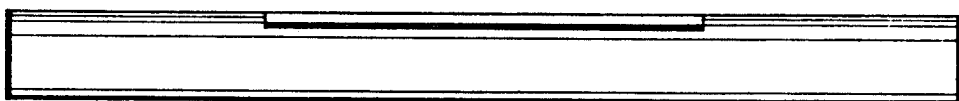


Fig. 4



Fig. 5

UNITED STATES PATENT AND TRADEMARK OFFICE
CERTIFICATE OF CORRECTION

PATENT NO. : Des. 344,605
DATED : February 22, 1994
INVENTOR(S) : John E. Aspenwall

It is certified that error appears in the above-identified patent and that said Letters Patent is hereby corrected as shown below:

On the title page, tiem (54) and column 1, "Fluorescernt" should read--

Fluorescent --

Signed and Sealed this
Twenty-eighth Day of June, 1994

Attest:



BRUCE LEHMAN

Attesting Officer

Commissioner of Patents and Trademarks