



US00D858261S

(12) **United States Design Patent**
Gong

(10) **Patent No.:** **US D858,261 S**

(45) **Date of Patent:** **** Sep. 3, 2019**

- (54) **HANGER**
- (71) Applicant: **Ningbo Ravo Import & Export Co., Ltd.**, Ningbo (CN)
- (72) Inventor: **Lei Gong**, Ningbo (CN)
- (73) Assignee: **Ningbo Ravo Import & Export Co., Ltd.**, Ningbo (CN)
- (**) Term: **15 Years**
- (21) Appl. No.: **29/634,745**
- (22) Filed: **Jan. 24, 2018**
- (51) **LOC (12) Cl.** **08-05**
- (52) **U.S. Cl.**
USPC **D8/367; D8/372**
- (58) **Field of Classification Search**
USPC D8/367, 356, 354, 349, 18, 105, 368,
D8/372; D11/208, 218; 248/341
CPC A45F 5/021; A44B 13/0029; F16B 45/00;
F16M 13/02; A45C 13/03
See application file for complete search history.

D393,587	S *	4/1998	Valerio	D8/367
5,738,319	A *	4/1998	Grassi	A47G 7/044
					248/215
5,970,777	A *	10/1999	Hunt	B42F 1/06
					29/13
6,457,218	B1 *	10/2002	Lawrence	B42F 1/10
					24/3.12
6,543,737	B2 *	4/2003	Decker	A47K 10/185
					248/316.1
D478,499	S *	8/2003	Winig	D8/367
D494,050	S *	8/2004	Klein	D6/513
7,234,671	B2 *	6/2007	Avinger	A01G 5/04
					248/215
D554,484	S *	11/2007	Dahlin	D8/367
D573,449	S *	7/2008	Goodman	D8/371
D584,939	S *	1/2009	Snell	D8/367
D597,666	S *	8/2009	George	D24/128
D601,880	S *	10/2009	Veilleux	D8/367
D605,934	S *	12/2009	Mirer	D8/395
D613,589	S *	4/2010	Goodman	D8/367
D617,998	S *	6/2010	Goodman	D6/323
7,861,990	B2 *	1/2011	Barnes	E04F 10/0662
					248/201
7,992,833	B1 *	8/2011	Goodman	A47G 25/0614
					248/298.1

(Continued)

Primary Examiner — Cynthia R Underwood
(74) *Attorney, Agent, or Firm* — Wang Law Firm, Inc.

(56) **References Cited**
U.S. PATENT DOCUMENTS

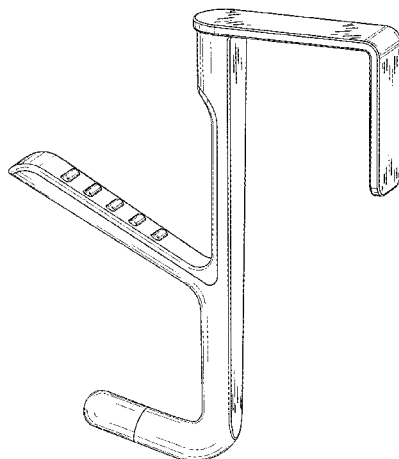
3,089,597	A *	5/1963	Kaplan	A47K 10/185
					221/46
D216,359	S *	12/1969	Feuerer	D8/367
3,585,674	A *	6/1971	Golden	A47H 13/00
					16/87.6 R
D285,529	S *	9/1986	Huxhold	248/304
D304,545	S *	11/1989	Hurrelbrink	D8/373
D336,842	S *	6/1993	Hampshire	D6/323
D342,889	S *	1/1994	Adams	D8/367
D363,453	S *	10/1995	Herd	D11/78.1
D373,526	S *	9/1996	Roethler	D8/367
D373,948	S *	9/1996	Etzel	D8/367
D391,146	S *	2/1998	Cutler	D8/367

(57) **CLAIM**
The ornamental design for a hanger, as shown and described.

DESCRIPTION

FIG. 1 is a right view showing my new design;
FIG. 2 is a front view thereof;
FIG. 3 is a rear view thereof;
FIG. 4 is a top view thereof;
FIG. 5 is a bottom perspective view thereof;
FIG. 6 is a left view thereof; and,
FIG. 7 is a perspective view thereof.

1 Claim, 6 Drawing Sheets



(56)

References Cited

U.S. PATENT DOCUMENTS

D655,407	S *	3/2012	Adams	D24/128
D694,613	S *	12/2013	Miles	D8/367
D697,785	S *	1/2014	Davis	D8/367
8,672,002	B2 *	3/2014	Stein	A45C 13/001 150/104
D714,626	S *	10/2014	Trifari, Jr.	D8/354
D721,264	S *	1/2015	Babicki	D8/367
9,107,526	B2 *	8/2015	Rife	A47G 29/083
D746,127	S *	12/2015	Cohen	D8/367
D757,513	S *	5/2016	Heins	D8/40
D766,707	S *	9/2016	Greenleaf	D8/367
9,433,261	B1 *	9/2016	Miles	A44B 13/0029
D773,041	S *	11/2016	Lentsch	D24/128
9,528,655	B1 *	12/2016	Miles	F16M 13/022
D784,044	S *	4/2017	Sokoly	D6/552
D802,399	S *	11/2017	Ward	D8/367
D819,431	S *	6/2018	Goodman	D8/367
D827,315	S *	9/2018	Taylor	D6/323
D834,338	S *	11/2018	Taylor	D6/323
D837,040	S *	1/2019	Connor	D8/367
D840,791	S *	2/2019	Caudle	D8/367
D844,782	S *	4/2019	Arora	D24/130
D849,516	S *	5/2019	Johnson	D8/367
D850,244	S *	6/2019	Goodman	D8/367
2004/0178240	A1 *	9/2004	Bauer	A45F 5/02 224/268
2015/0150389	A1 *	6/2015	Nilsson	B25H 3/04 248/220.42

* cited by examiner

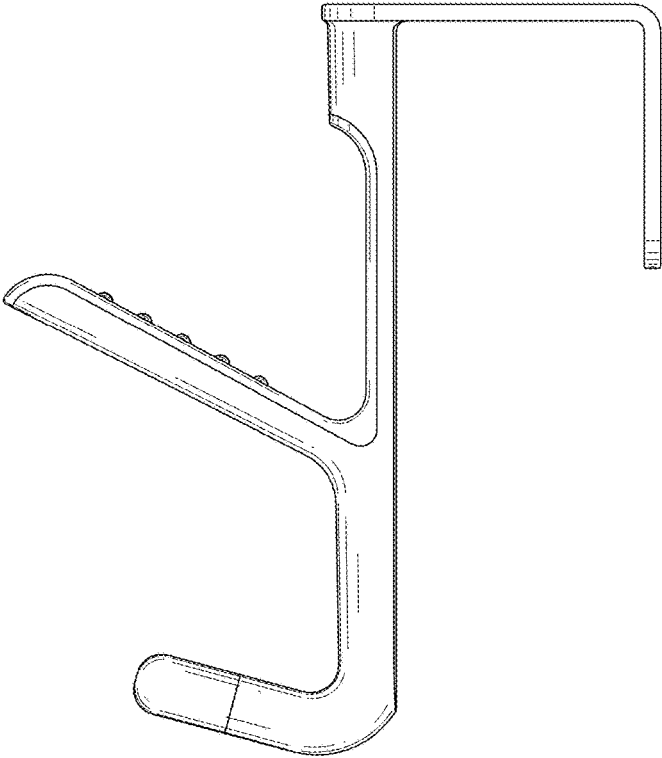


FIG. 1

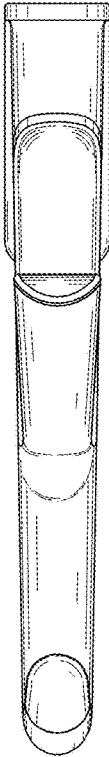


FIG. 2

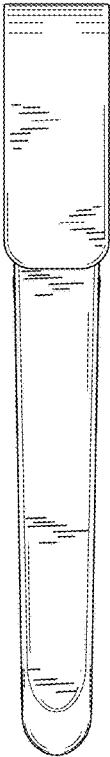


FIG. 3

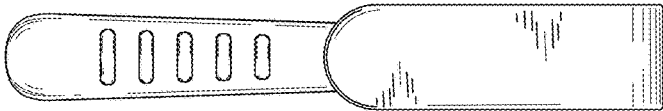


FIG. 4

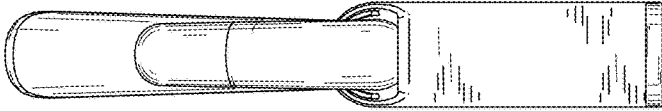


FIG. 5

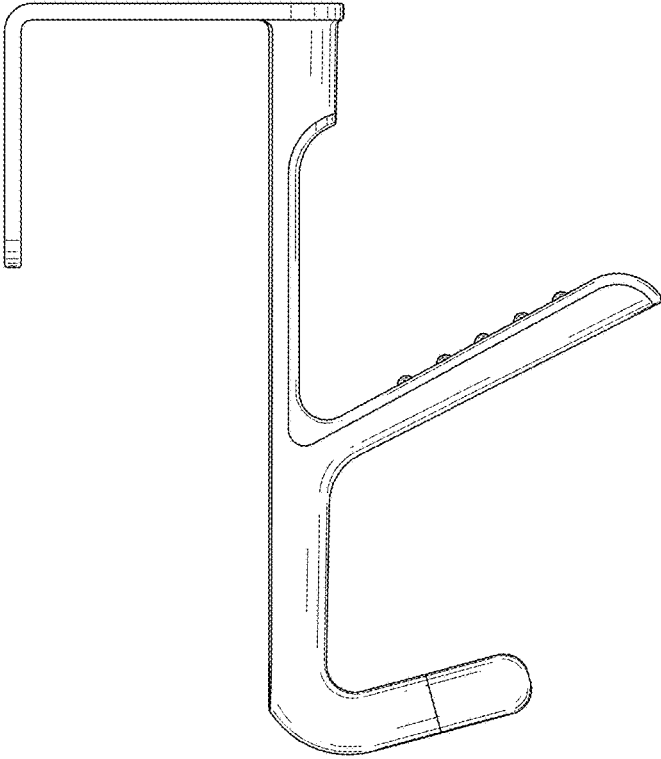


FIG. 6

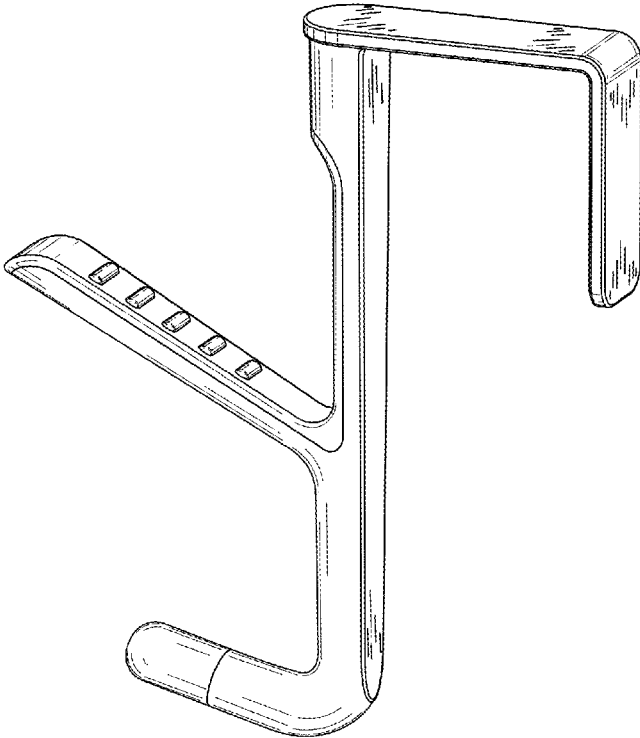


FIG. 7