



US00D572979S

(12) **United States Design Patent**
Delbaere

(10) **Patent No.:** **US D572,979 S**

(45) **Date of Patent:** **** Jul. 15, 2008**

(54) **BOWL**

(75) Inventor: **Michel Delbaere**, Ooigem-Wielsbeke (BE)

(73) Assignee: **Crop's N.V.**, Ooigem-Wielsbeke (BE)

(**) Term: **14 Years**

(21) Appl. No.: **29/255,780**

(22) Filed: **Mar. 10, 2006**

(51) **LOC (8) Cl.** **07-01**

(52) **U.S. Cl.** **D7/545**

(58) **Field of Classification Search** D7/542,
D7/545, 550.1, 552.1, 553.1, 553.6, 554.2,
D7/555, 669, 682, 683, 686, 688, 354, 356,
D7/360, 376, 380, 553.4, 553.7, 642, 566,
D7/570, 505, 551.1, 584, 629; 220/904,
220/23.83, 574, 212, 657, 659, 755, 771,
220/608; 206/821, 822; D9/414, 424, 425,
D9/428, 429, 431; 219/733

See application file for complete search history.

(56) **References Cited**

U.S. PATENT DOCUMENTS

D185,064 S *	5/1959	Lancaster	D7/542
D248,076 S *	6/1978	Christian	D7/545
4,532,397 A *	7/1985	McClelland	219/733
D281,480 S *	11/1985	McClelland	D7/356
D288,050 S *	2/1987	Fox et al.	D7/545
D296,640 S *	7/1988	Miller	D7/545
D302,774 S *	8/1989	Murphy	D7/629
D319,978 S *	9/1991	Wolff	D9/431

D495,562 S *	9/2004	Lee	D7/554.2
D508,822 S *	8/2005	Smith et al.	D7/545
D512,278 S *	12/2005	Schultz et al.	D7/629
D527,584 S *	9/2006	Hayes et al.	D7/570
D529,797 S *	10/2006	Wilcox et al.	D9/428

FOREIGN PATENT DOCUMENTS

GB 1021028 * 12/1984

* cited by examiner

Primary Examiner—Charles A. Rademaker

Assistant Examiner—Charles D Hanson

(74) *Attorney, Agent, or Firm*—James Creighton Wray; Clifford D. Hyra

(57) **CLAIM**

The ornamental design for a bowl, as shown and described.

DESCRIPTION

FIG. 1 is a top view of the bowl showing my new design.

FIG. 2 is a right side view thereof;

FIG. 3 is an end view thereof;

FIG. 4 is a cross section view taken along line 4—4 of FIG. 1;

FIG. 5 is an enlarged view taken along lines 5—5 and 5'—5' of FIG. 4; and,

FIG. 6 is an enlarged view thereof, showing a stacking configuration.

The broken line showing in FIG. 6 is included for the purpose of illustrating environmental structure and forms no part of the claimed design.

1 Claim, 2 Drawing Sheets

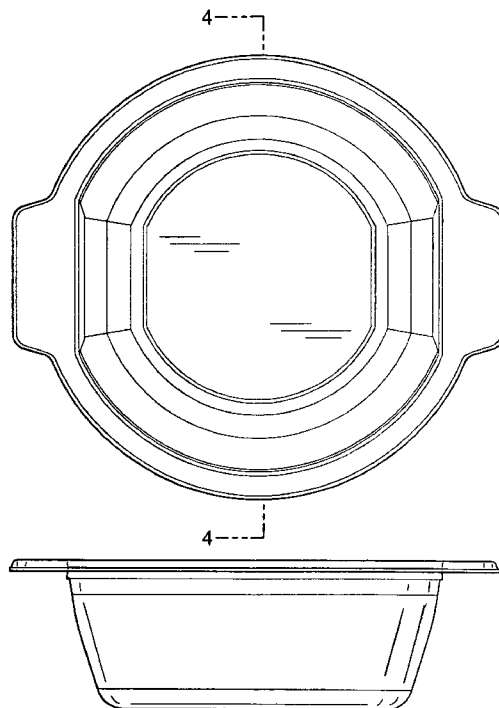


FIG. 1

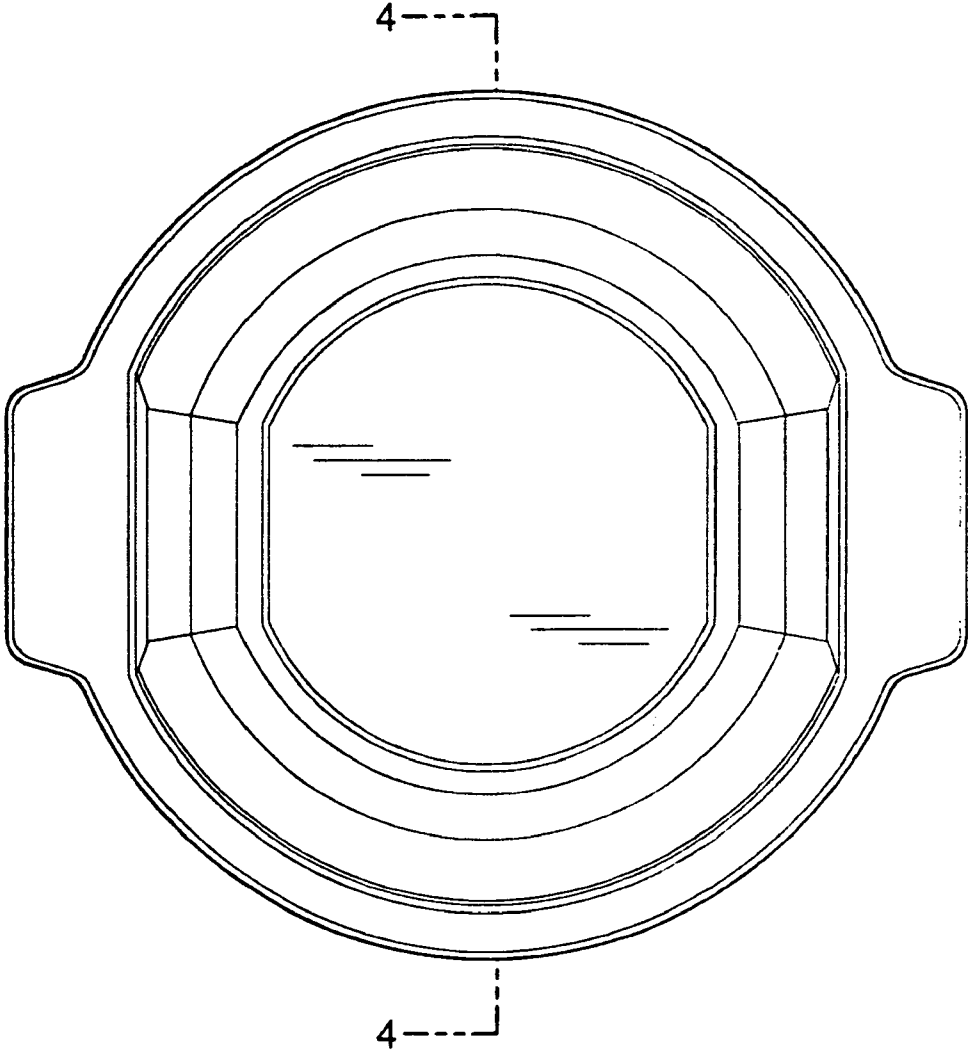


FIG. 2

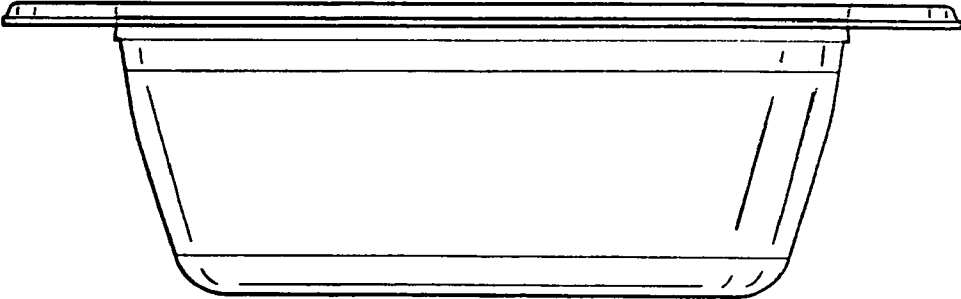


FIG. 3

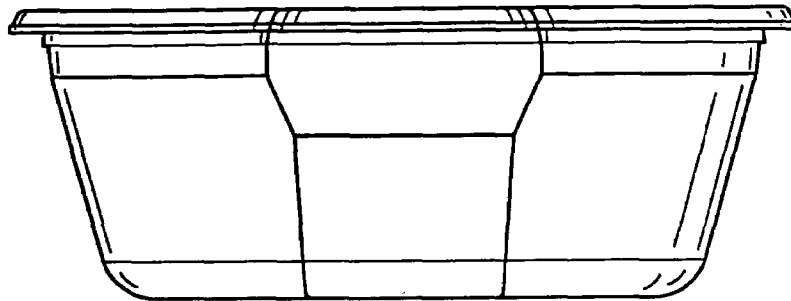


FIG. 4

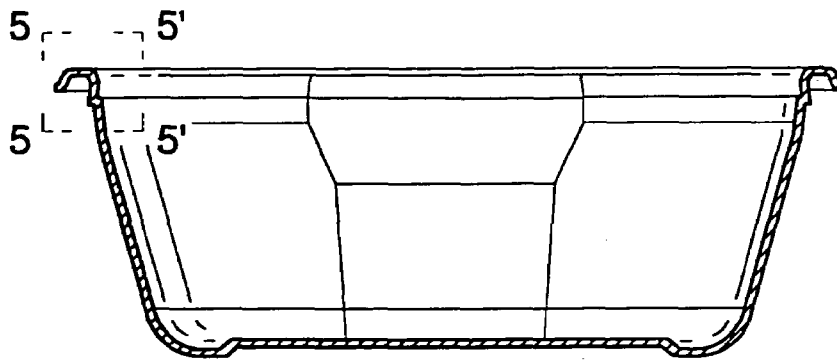


FIG. 5

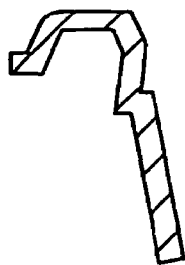


FIG. 6

