



US00D636056S

(12) **United States Design Patent**
Pritchard

(10) **Patent No.:** **US D636,056 S**

(45) **Date of Patent:** **** Apr. 12, 2011**

(54) **JERRYCAN**

(75) Inventor: **Michael Pritchard**, Suffolk (GB)

(73) Assignee: **Pritchard IP Limited**, Hertfordshire (GB)

(**) Term: **14 Years**

(21) Appl. No.: **29/356,219**

(22) Filed: **Feb. 22, 2010**

(51) **LOC (9) Cl.** **23-01**

(52) **U.S. Cl.** **D23/211.1**

(58) **Field of Classification Search** D23/211,
D23/211.1, 211.2; D9/516, 527, 528, 531;
215/383, 384, 396, 398; 220/318, 674
See application file for complete search history.

(56) **References Cited**

U.S. PATENT DOCUMENTS

3,927,797 A * 12/1975 Flider 220/318
3,940,002 A * 2/1976 Schiemann 215/383
D310,170 S * 8/1990 Bartz D15/152
D315,497 S * 3/1991 Kamerichs et al. D23/211.1

D338,158 S * 8/1993 Poirier D23/211.1
D427,062 S * 6/2000 Alvarez et al. D23/211.1
D433,945 S * 11/2000 Denison D9/527
D606,162 S * 12/2009 McAvey et al. D23/211.1
D609,776 S * 2/2010 Nirenberg D23/211.1
D623,720 S * 9/2010 Brown et al. D23/211.1
D625,774 S * 10/2010 Nirenberg D23/211.1

* cited by examiner

Primary Examiner — Shanda C Hill

(74) *Attorney, Agent, or Firm* — Kenyon & Kenyon LLP

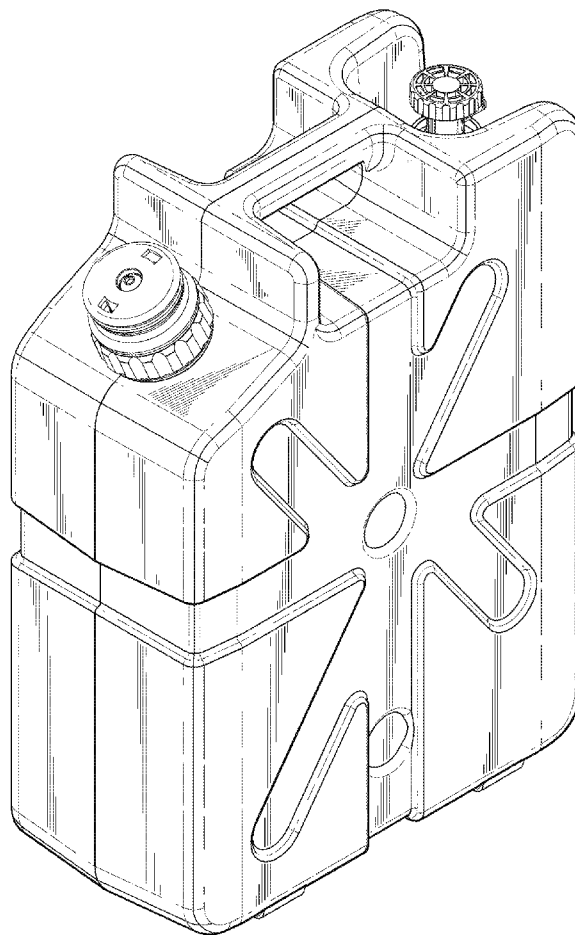
(57) **CLAIM**

The ornamental design for a jerrycan, as shown and described.

DESCRIPTION

FIG. 1 is a perspective view of a jerrycan;
FIG. 2 is a side view thereof;
FIG. 3 is another side view thereof;
FIG. 4 is a front view thereof;
FIG. 5 is back view thereof;
FIG. 6 is a top view thereof; and,
FIG. 7 is a bottom view thereof.

1 Claim, 7 Drawing Sheets



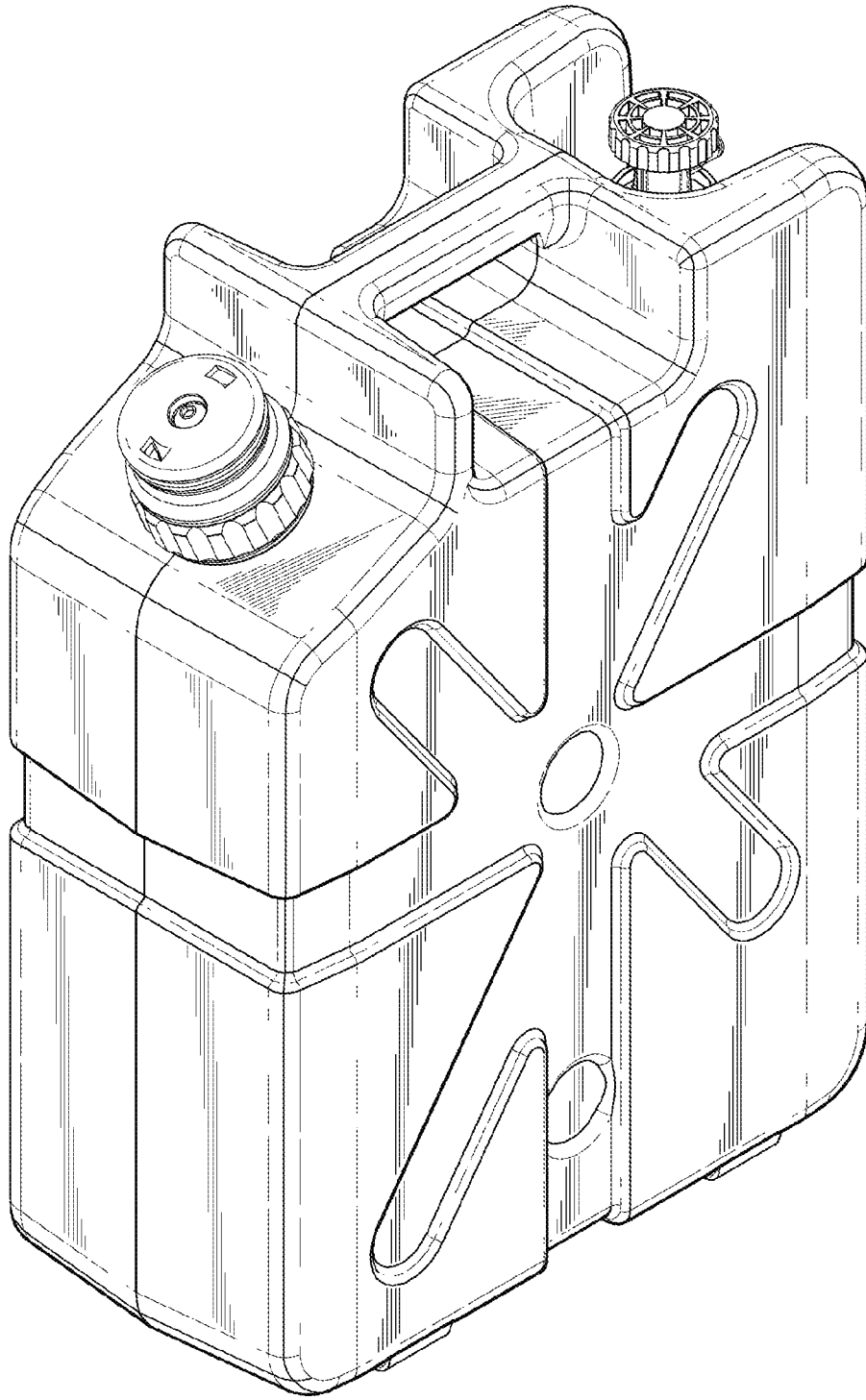


FIG. 1

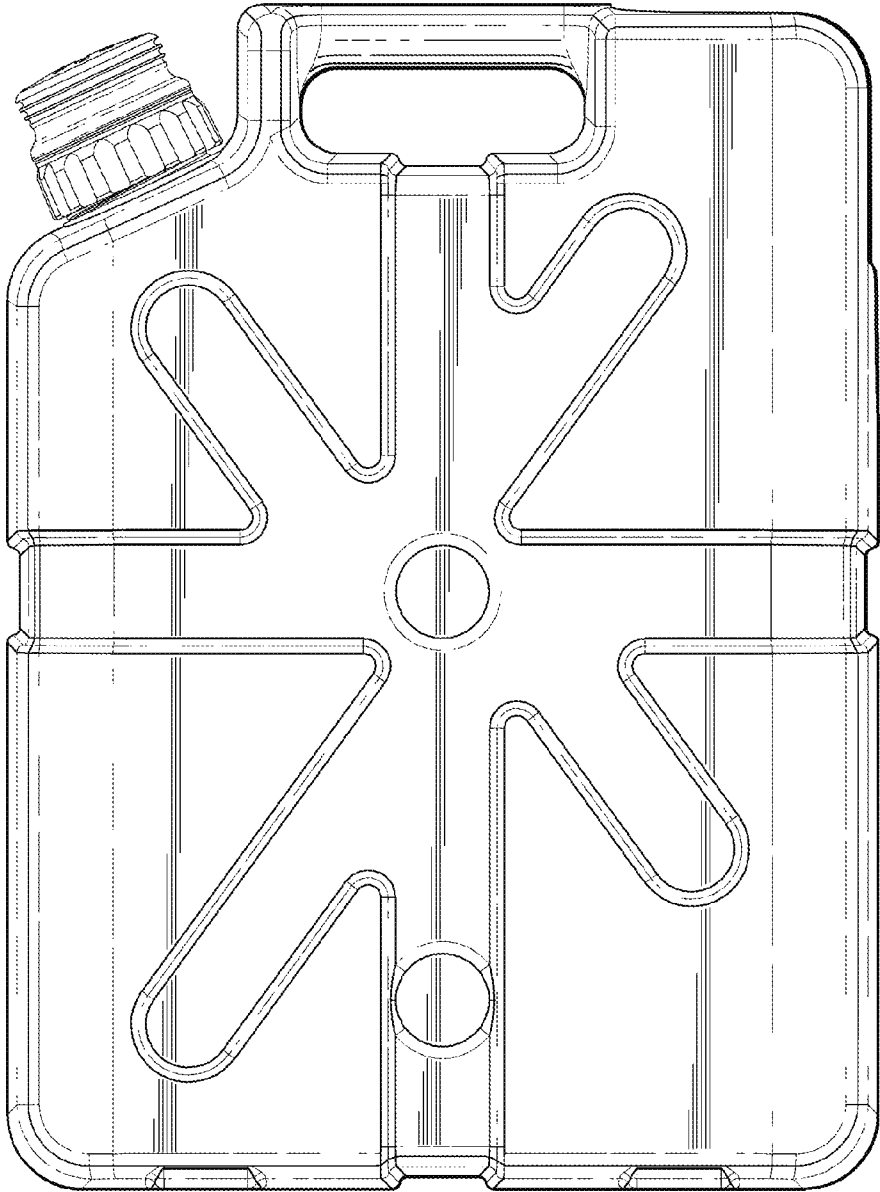


FIG. 2

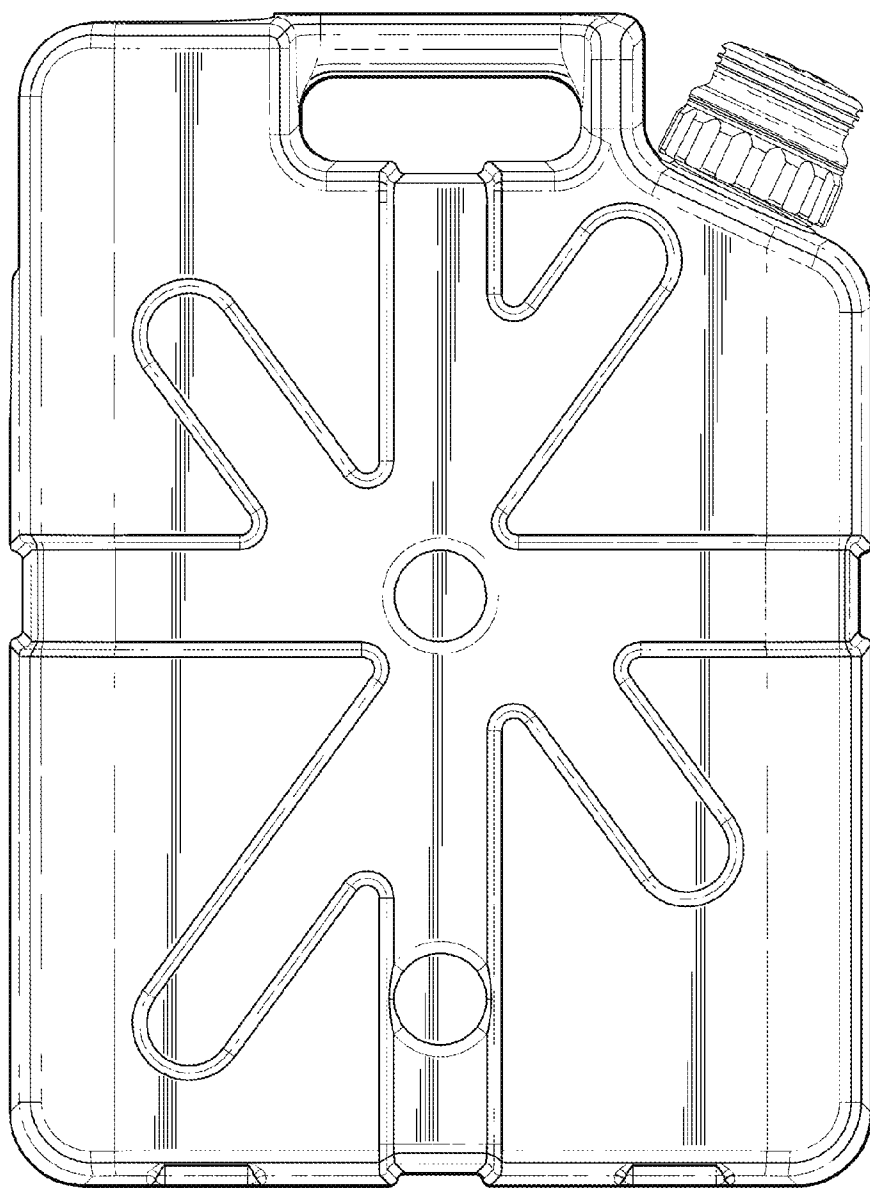


FIG. 3

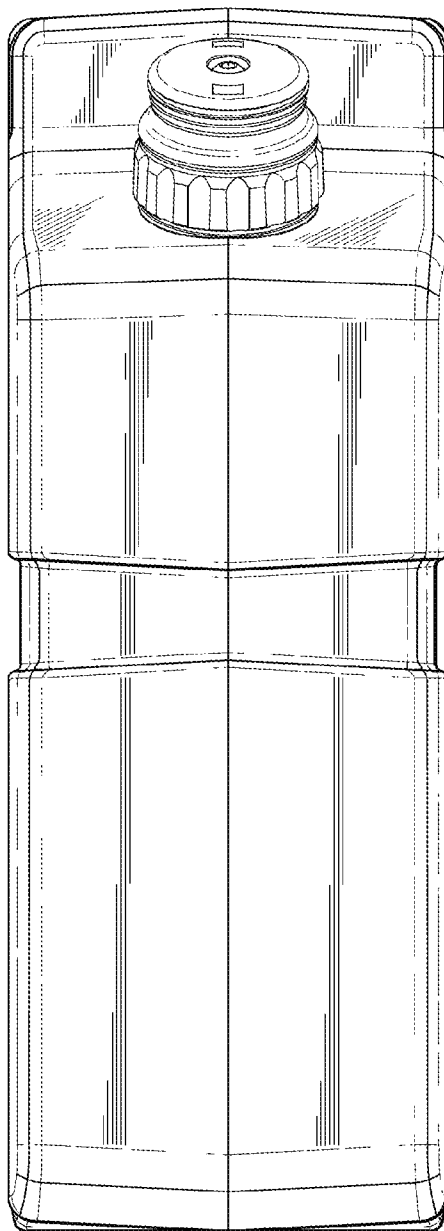


FIG. 4

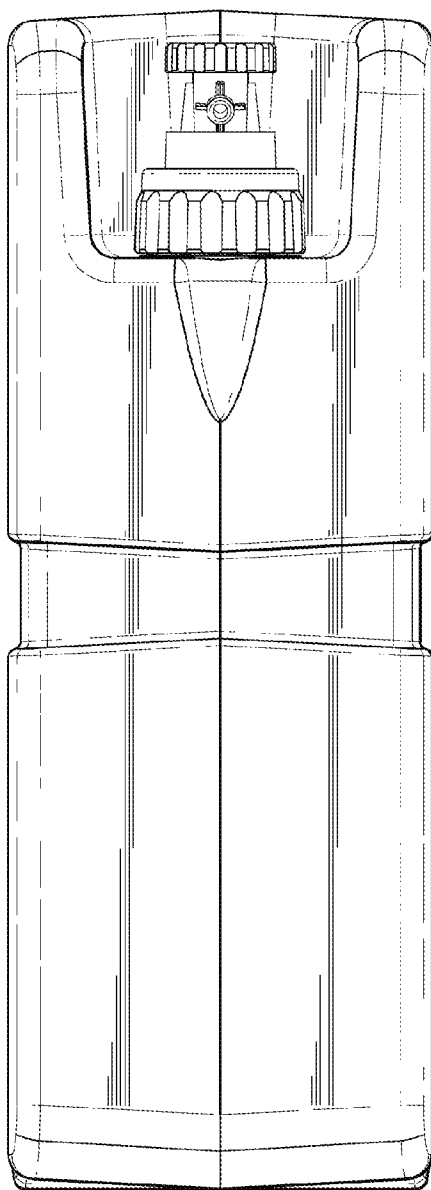


FIG. 5

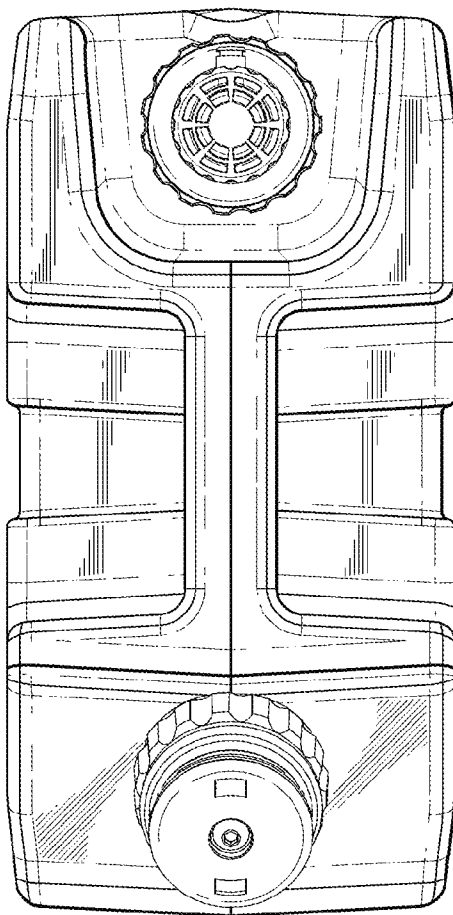


FIG. 6

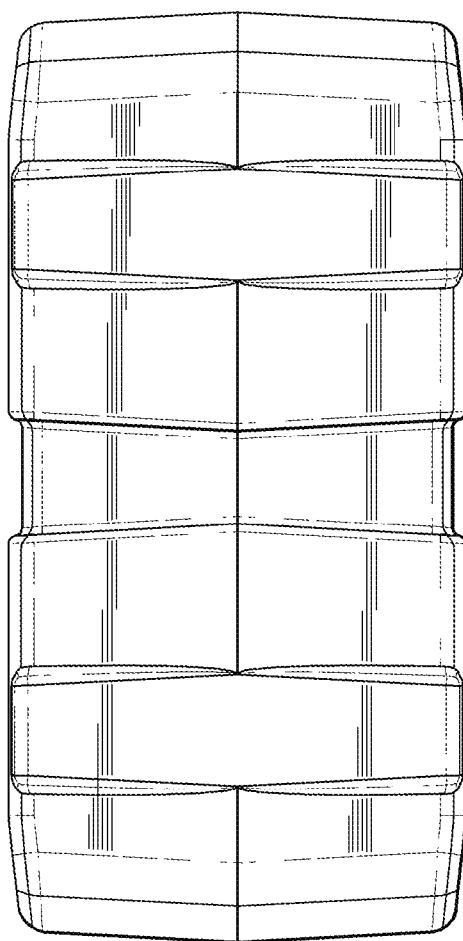


FIG. 7