

(12) **United States Design Patent** (10) **Patent No.:** **US D995,815 S**
Knight (45) **Date of Patent:** **** Aug. 15, 2023**

(54) **COVER FOR A TRAY**
 (71) Applicant: **GEN-PROBE INCORPORATED**, San Diego, CA (US)
 (72) Inventor: **Byron Knight**, San Diego, CA (US)
 (73) Assignee: **GEN-PROBE INCORPORATED**, San Diego, CA (US)
 (**) Term: **15 Years**
 (21) Appl. No.: **29/801,986**
 (22) Filed: **Aug. 2, 2021**

Related U.S. Application Data

(63) Continuation of application No. 15/487,072, filed on Apr. 13, 2017, now Pat. No. 11,179,726.

(51) **LOC (14) Cl.** **24-02**
 (52) **U.S. Cl.**

USPC **D24/230**

(58) **Field of Classification Search**

USPC D24/127, 128, 156, 216, 223–230, 222;
 D3/304, 307, 308, 314, 315; D7/354,
 D7/361, 500, 550.1, 554.3, 587, 602;
 D19/75, 85, 90
 CPC A61B 5/150343; A61B 50/36; A61B
 2050/3011; A61B 10/0045; A61B
 10/0038; A61B 10/02; B01D 9/00; B01L
 3/06; B01L 3/502; B01L 3/5025; B01L
 3/5082; B01L 3/5085; B65D 83/10;
 B65D 69/00

See application file for complete search history.

(56) **References Cited**

U.S. PATENT DOCUMENTS

4,090,850 A * 5/1978 Chen B01L 3/5025
 422/535
 4,487,316 A * 12/1984 Calhoun A45D 6/00
 312/73

5,048,957 A * 9/1991 Berthold B01L 3/5085
 250/361 C
 D332,664 S * 1/1993 Sincock D24/227
 D414,271 S * 9/1999 Mendoza D24/227
 6,039,804 A * 3/2000 Kim C30B 7/00
 D24/224
 D461,554 S * 8/2002 Lafond D24/227
 6,436,351 B1 * 8/2002 Gubernator B01L 3/5025
 210/257.2
 D556,338 S * 11/2007 Coulling D24/230
 D628,306 S * 11/2010 Blanc D24/230
 D699,371 S * 2/2014 Williams D24/230
 D768,873 S * 10/2016 Stedman D24/227
 D812,243 S * 3/2018 Johns D24/227
 D854,707 S * 7/2019 Jakobsen D24/230
 D920,536 S * 5/2021 Self D24/227
 D932,052 S * 9/2021 Zergiebel D24/227
 D935,051 S * 11/2021 Hendriks D24/227
 11,179,726 B2 * 11/2021 Knight B01L 9/543
 2013/0315800 A1 * 11/2013 Yin G01N 35/0098
 422/561
 2020/0164365 A1 * 5/2020 King B01L 3/5085

FOREIGN PATENT DOCUMENTS

CN 201930246440.9 * 2/2020

* cited by examiner

Primary Examiner — Omeed Agilee

(74) *Attorney, Agent, or Firm* — Sterne, Kessler, Goldstein & Fox P.L.L.C.; Charles B. Cappellari

(57) **CLAIM**

The ornamental design for a cover for a tray, as shown and described.

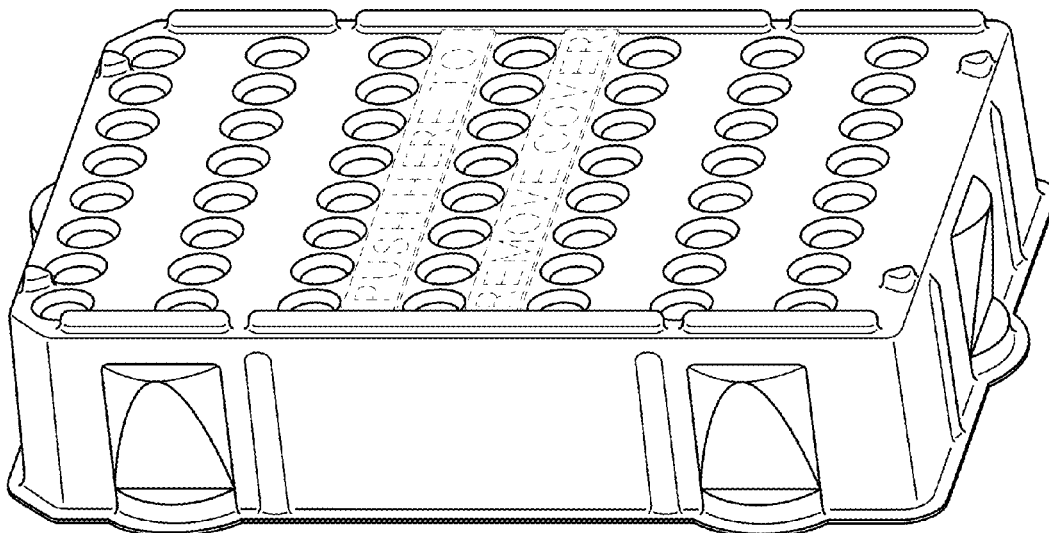
DESCRIPTION

FIG. 1 is a top perspective view of a cover for a tray showing the claimed design; and,

FIG. 2 is a bottom perspective view thereof.

The broken lines in the figures show portions of the cover for a tray that form no part of the claimed design.

1 Claim, 2 Drawing Sheets



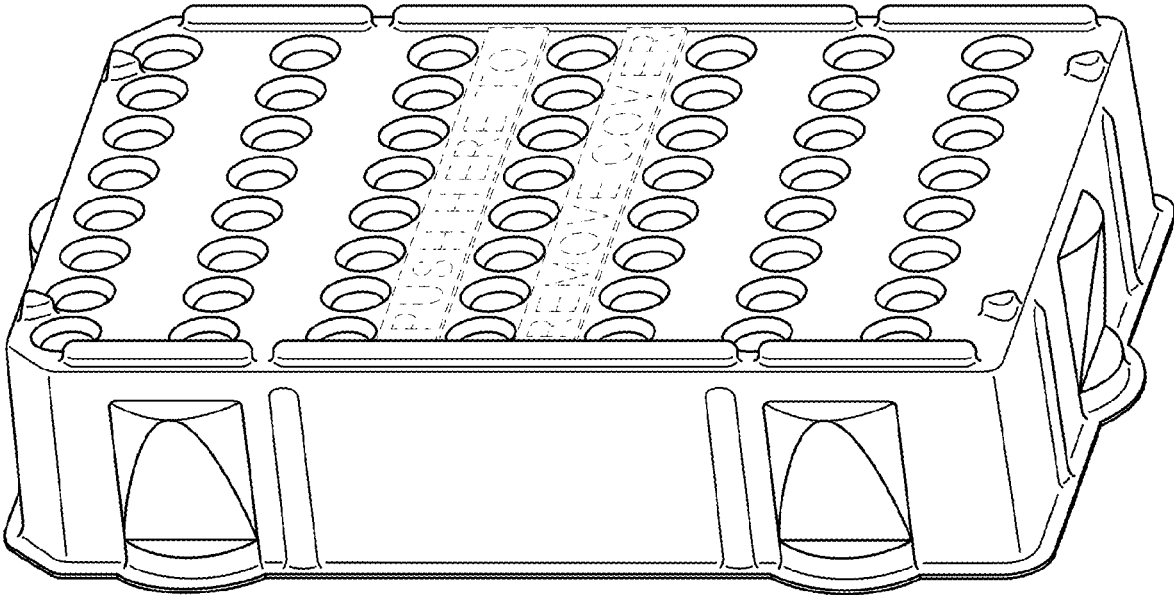


FIG. 1

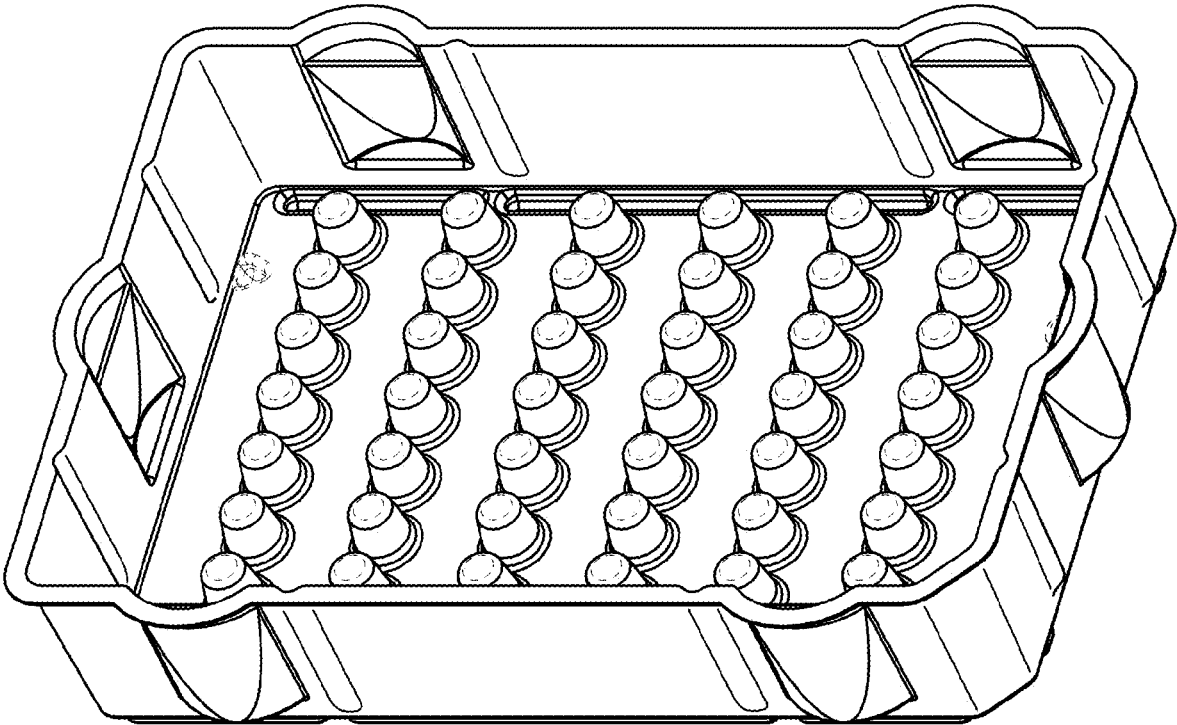


FIG. 2