



US00D386327S

United States Patent [19]

[11] Patent Number: Des. 386,327

Rotchin

[45] Date of Patent: **Nov. 18, 1997

[54] DISPLAY KIOSK

Assistant Examiner—Linda Brooks
Attorney, Agent, or Firm—Quarles & Brady

[75] Inventor: Dean Rotchin, Palm Beach, Fla.

[57] CLAIM

[73] Assignee: ASOTV Partners Limited, Palm Beach, Fla.

The ornamental design for a display kiosk, as shown and described.

[**] Term: 14 Years

DESCRIPTION

[21] Appl. No.: 55,987

FIG. 1 is a perspective view of the display kiosk showing my new design;

[22] Filed: Jun. 19, 1996

FIG. 2 is an elevational view of a front side of the display kiosk;

[51] LOC (6) CL. 20-02

FIG. 3 is an elevational view of a rear side of the display kiosk showing my new design;

[52] U.S. Cl. D6/470

FIG. 4 is an elevational view of a left side of the display kiosk showing my new design;

[58] Field of Search D6/470, 436, 455;
D25/1, 16, 32, 56; 312/140.1, 140.2, 114,
117

FIG. 5 is an elevational view of a right side of the display kiosk showing my new design;

[56] References Cited

FIG. 6 is a top plan view of the design for the display kiosk shown in FIG. 1; and,

U.S. PATENT DOCUMENTS

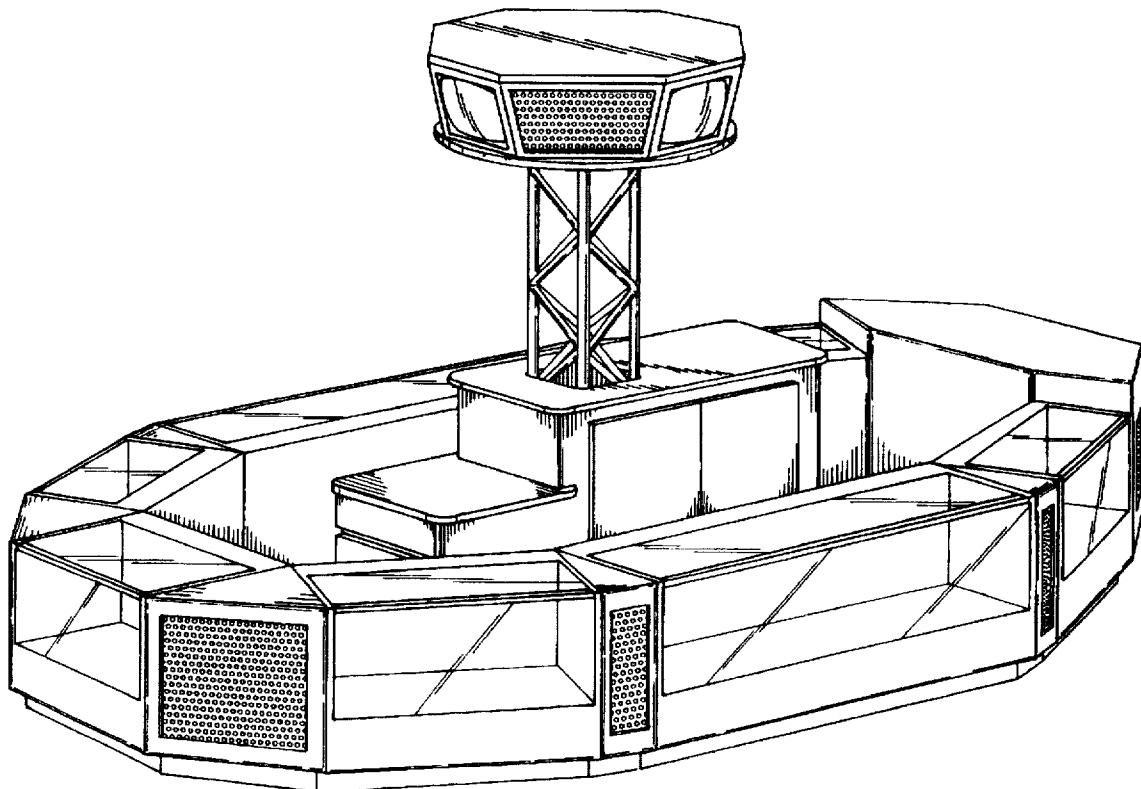
FIG. 7 is a bottom plan view of the design for the display kiosk shown in FIG. 1.

D. 227,448	6/1973	Rosenblatt	D25/32 X
D. 256,530	8/1980	Johnson	D6/455
D. 260,709	9/1981	Perlmutter	D6/470
D. 262,926	2/1982	Woolford	D6/470 X
D. 373,266	9/1996	Pellenberg et al.	D6/470

The rear surfaces of the display case unit are flat and unornamented.

Primary Examiner—James Gandy

1 Claim, 4 Drawing Sheets



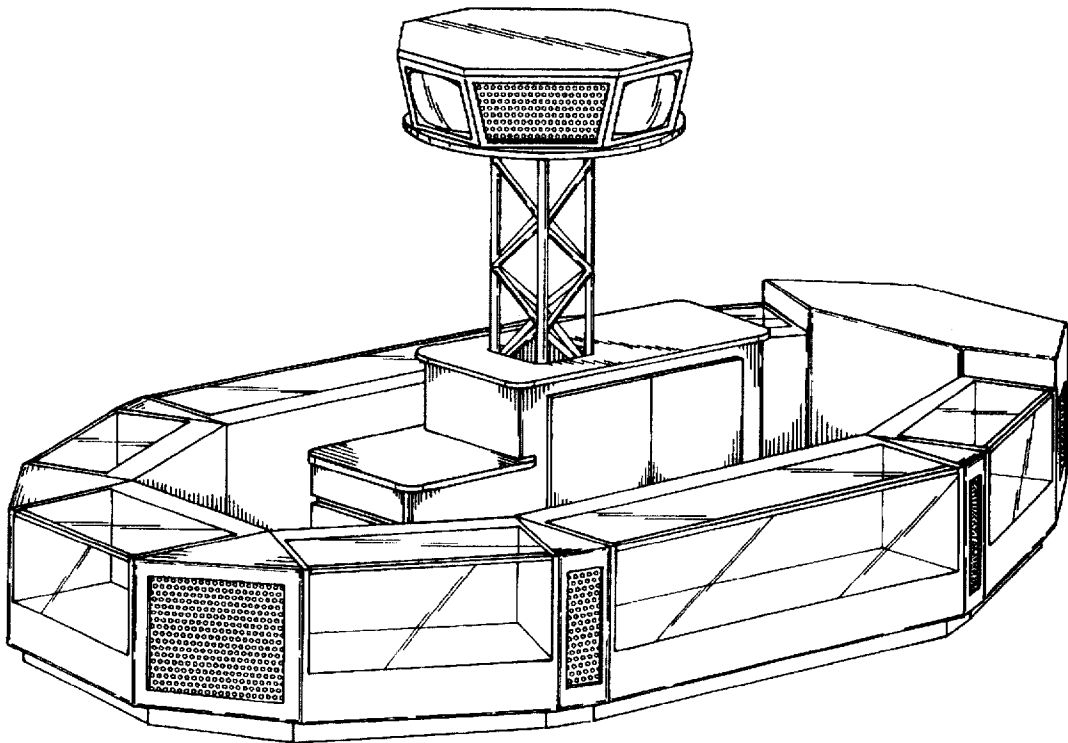


FIG. 1

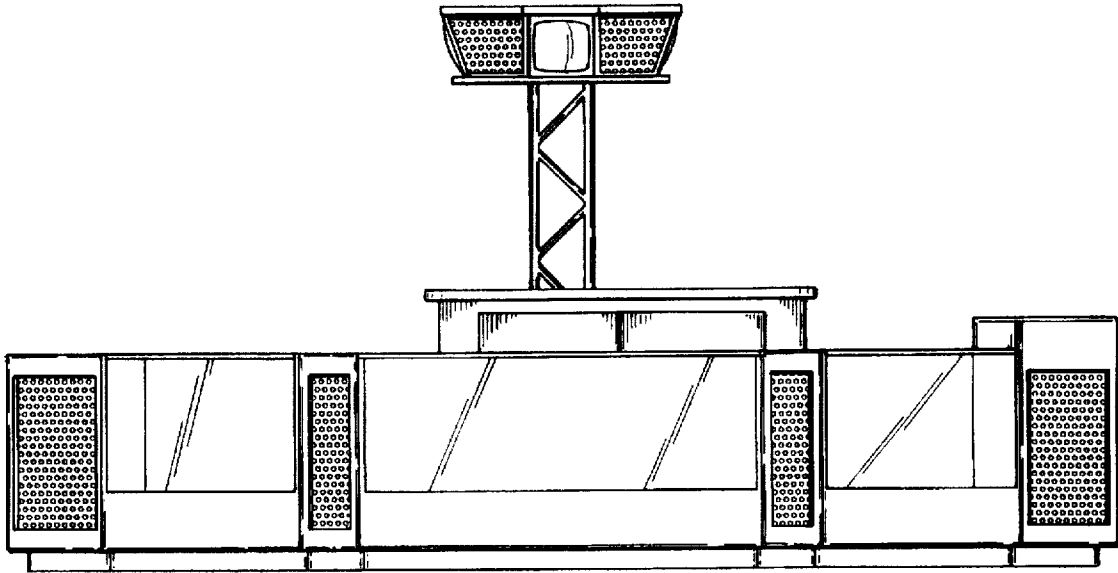


FIG. 2

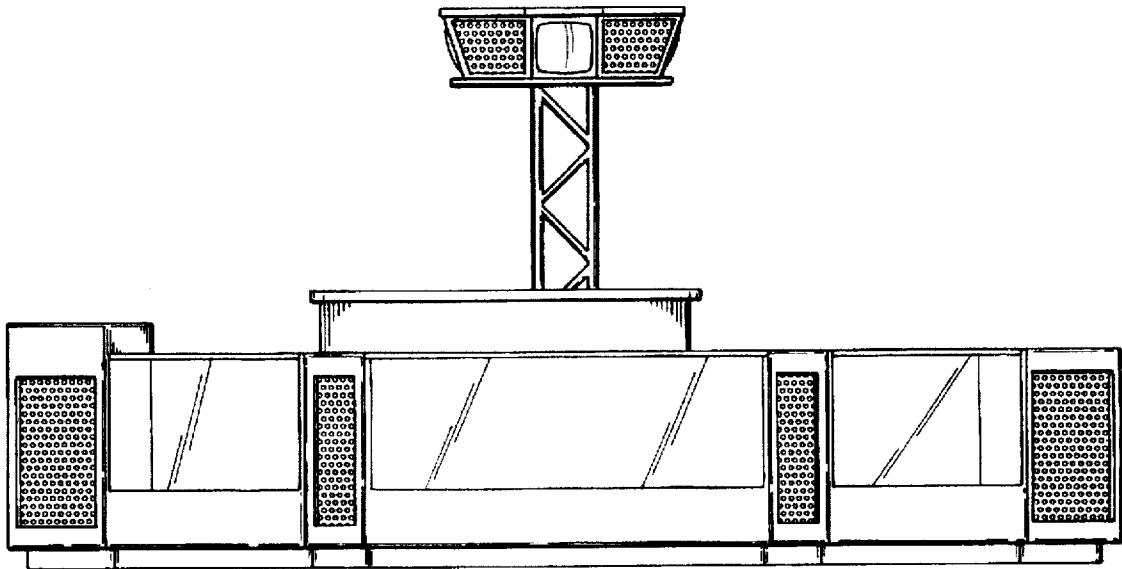


FIG. 3

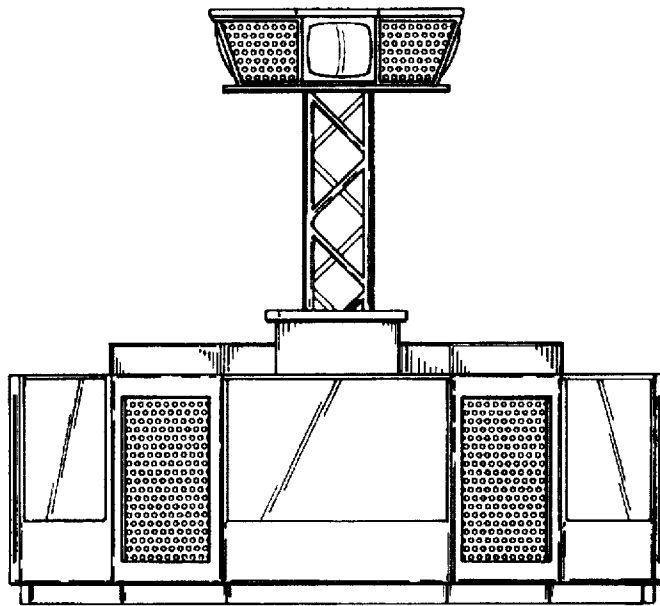


FIG. 4

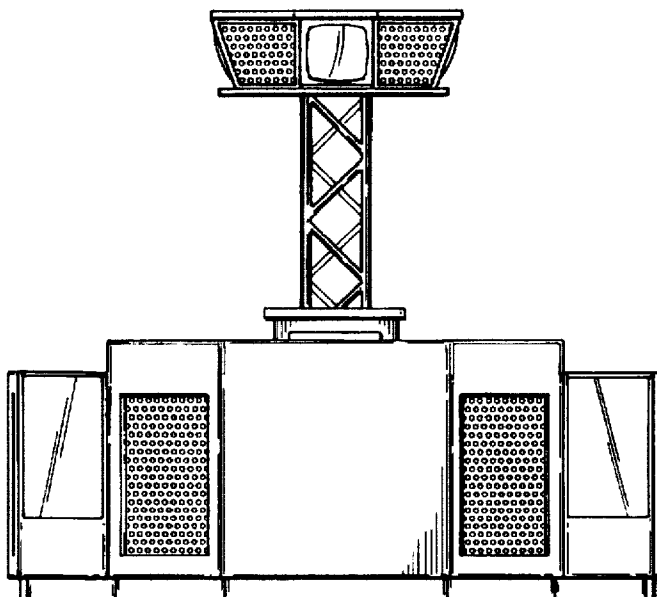


FIG. 5

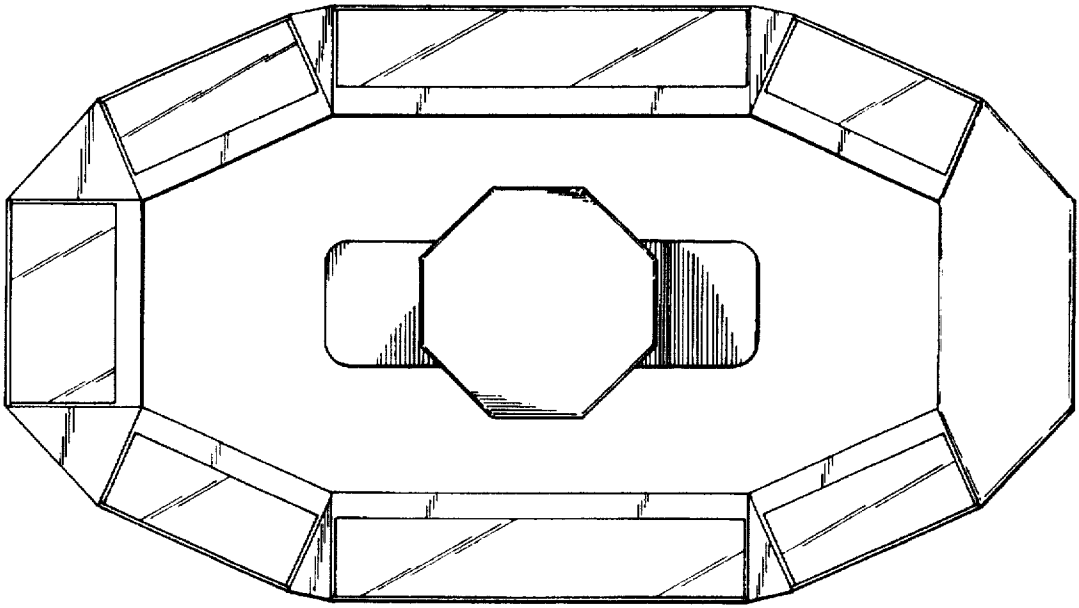


FIG. 6

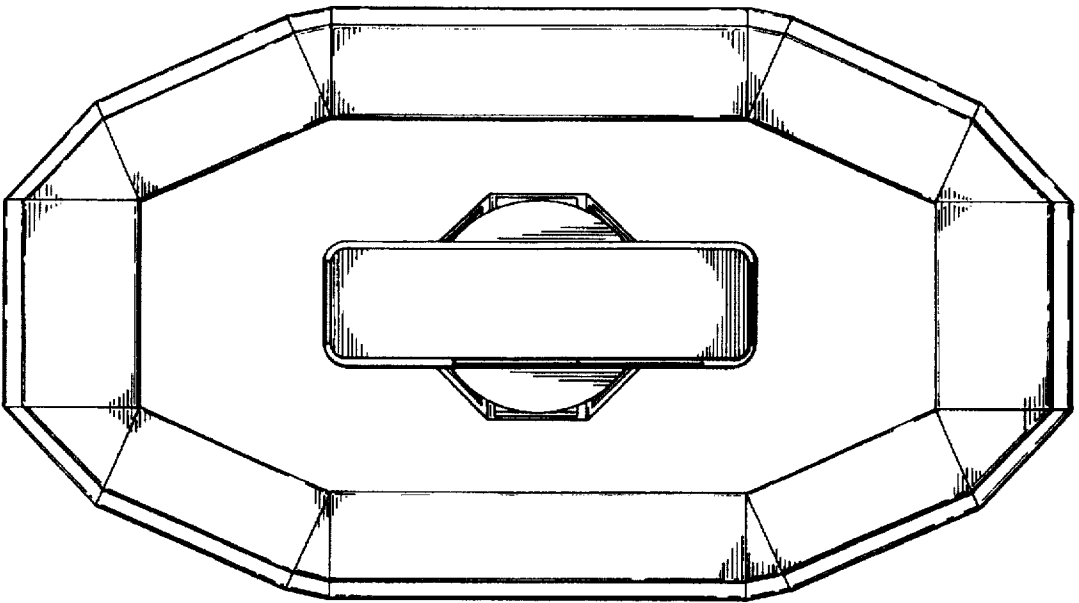


FIG. 7