



US00D834167S

(12) **United States Design Patent**  
**Davis et al.**

(10) **Patent No.:** **US D834,167 S**

(45) **Date of Patent:** **\*\* Nov. 20, 2018**

- (54) **DISPENSER**
- (71) Applicant: **S. C. Johnson & Son, Inc.**, Racine, WI (US)
- (72) Inventors: **Brian T. Davis**, Burlington, WI (US); **Kamran Faterioun**, New Berlin, WI (US); **Kenneth W. Michaels**, Spring Grove, IL (US)
- (73) Assignee: **S. C. Johnson & Son, Inc.**, Racine, WI (US)
- (\*\*) Term: **15 Years**

- 4,892,711 A 1/1990 Tendick, Sr.
- 5,009,342 A 4/1991 Lawrence et al.
- 5,332,157 A 7/1994 Proctor
- 5,402,916 A 4/1995 Nottingham et al.
- 5,439,141 A 8/1995 Clark et al.
- 5,560,545 A 10/1996 Grogan et al.
- 5,562,250 A 10/1996 O'Neill
- 5,711,457 A 1/1998 Wanbaugh et al.
- 5,752,626 A 5/1998 Bachand
- 5,769,275 A 6/1998 Boehmer et al.
- 5,819,987 A 10/1998 Miller
- 5,887,761 A 3/1999 Foster et al.

(Continued)

FOREIGN PATENT DOCUMENTS

- AU 120799 S 7/1994
- AU 302514 S 7/2005

(Continued)

*Primary Examiner* — Lakiya G Rogers  
*Assistant Examiner* — John A Voytek

- (21) Appl. No.: **29/580,382**
- (22) Filed: **Oct. 7, 2016**
- (51) **LOC (11) Cl.** ..... **23-04**
- (52) **U.S. Cl.**  
USPC ..... **D23/366**
- (58) **Field of Classification Search**  
USPC ..... D23/355–370, 386–388; D14/214–216  
CPC ..... Y10T 428/1366; Y10T 2597/00; B32B  
2597/00; B01D 46/00; B01D 46/0004;  
B01D 27/04  
See application file for complete search history.

(57) **CLAIM**

The ornamental design for a dispenser, as shown and described.

**DESCRIPTION**

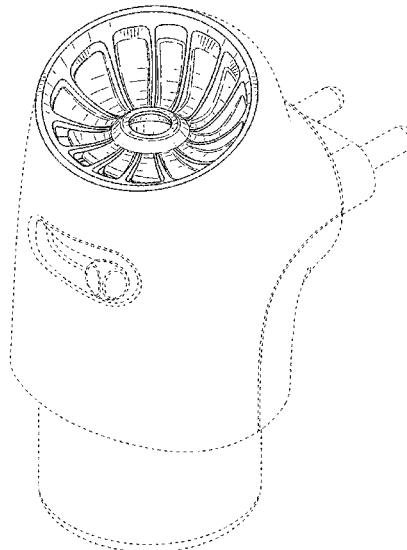
FIG. 1 is an isometric view of a top, front, and right side of an ornamental design for a dispenser;  
FIG. 2 is a front elevational view of the dispenser of FIG. 1;  
FIG. 3 is a rear elevational view of the dispenser of FIG. 1;  
FIG. 4 is a right side elevational view of the dispenser of FIG. 1;  
FIG. 5 is a left side elevational view of the dispenser of FIG. 1; and,  
FIG. 6 is a top plan view of the dispenser of FIG. 1.  
The broken lines are included for the purpose of illustrating portions that form no part of the claimed design.

(56) **References Cited**

U.S. PATENT DOCUMENTS

- 2,513,081 A 6/1950 Clark
- 3,786,963 A 1/1974 Metzler, III
- 3,940,029 A 2/1976 Horvaith
- 4,056,216 A 11/1977 Kotuby
- 4,355,739 A 10/1982 Vierkotter
- 4,479,609 A 10/1984 Maeda et al.
- 4,512,806 A 4/1985 Graham
- 4,666,430 A 5/1987 Brown et al.
- 4,739,928 A 4/1988 O'Neil
- D295,676 S \* 5/1988 Steiner ..... D23/366

**1 Claim, 6 Drawing Sheets**



(56)

References Cited

U.S. PATENT DOCUMENTS

5,890,624 A 4/1999 Klima et al.  
 5,894,955 A 4/1999 Garrigues  
 5,964,377 A 10/1999 Demarest et al.  
 5,996,907 A 12/1999 Toetschinger et al.  
 6,036,057 A 3/2000 Poutiatine  
 6,145,695 A 11/2000 Garrigues  
 6,158,673 A 12/2000 Toetschinger et al.  
 6,279,836 B1 8/2001 Toetschinger et al.  
 6,311,875 B1 11/2001 Anderson et al.  
 6,378,780 B1 4/2002 Martens, III et al.  
 6,394,364 B1 5/2002 Abplanalp  
 6,446,880 B1 9/2002 Schram et al.  
 6,505,356 B1 1/2003 Leonard et al.  
 6,550,694 B1 4/2003 Foster et al.  
 6,569,387 B1 5/2003 Furner et al.  
 D477,065 S \* 7/2003 Lonczak ..... D23/366  
 D477,066 S 7/2003 Lonczak et al.  
 D489,123 S \* 4/2004 Basaganas Millan ..... D23/366  
 6,722,389 B2 4/2004 Stevens  
 6,729,560 B2 5/2004 Foster et al.  
 6,732,757 B2 5/2004 Benham  
 6,843,390 B1 1/2005 Bristor  
 6,869,027 B2 3/2005 Foster et al.  
 6,896,193 B2 5/2005 Helf et al.  
 D507,636 S \* 7/2005 Baraky ..... D23/366  
 6,978,914 B2 12/2005 Furner et al.  
 6,978,946 B2 12/2005 Sweeton  
 7,021,499 B2 4/2006 Hansen et al.  
 7,090,097 B1 8/2006 Kazarian et al.  
 7,118,012 B2 10/2006 Butler  
 D544,592 S \* 6/2007 Caserta ..... D23/366  
 D564,357 S 3/2008 Kapoor et al.  
 7,357,335 B2 4/2008 Laidler et al.  
 D568,153 S 5/2008 Harrison et al.  
 7,455,245 B2 11/2008 Sipinski et al.  
 D584,617 S 1/2009 Harrison et al.  
 7,510,101 B2 3/2009 Foster et al.  
 7,565,988 B2 7/2009 Foster  
 7,593,790 B2 9/2009 Valpey, III et al.  
 7,643,734 B2 1/2010 Weller  
 D616,751 S 6/2010 Ko et al.  
 7,757,970 B2 7/2010 Laidler et al.  
 7,775,401 B2 8/2010 Banco et al.  
 7,775,459 B2 8/2010 Martens, III et al.  
 7,775,461 B2 8/2010 Laidler et al.  
 7,850,043 B2 12/2010 Foster  
 D635,033 S 3/2011 Hefflin, III  
 7,906,473 B2 3/2011 Williams et al.  
 7,938,299 B2 5/2011 Fahy et al.  
 7,959,041 B2 6/2011 Miller et al.  
 7,997,449 B2 8/2011 Banco et al.  
 D647,608 S \* 10/2011 Young ..... D23/366  
 8,113,227 B2 2/2012 Adams et al.  
 D672,861 S \* 12/2012 Adair ..... D23/366  
 8,322,630 B2 12/2012 Richardson et al.  
 8,322,631 B2 12/2012 Richardson et al.  
 8,338,354 B2 12/2012 Williams et al.  
 8,348,098 B2 1/2013 Bruckner  
 D686,721 S \* 7/2013 Wirz ..... D23/366  
 D700,694 S \* 3/2014 Sordo ..... D23/366  
 D732,654 S \* 6/2015 Hsiao ..... D23/366  
 D763,430 S \* 8/2016 Shin ..... D23/368  
 D771,951 S \* 11/2016 Reishus ..... D4/100  
 D776,800 S \* 1/2017 King ..... D23/366  
 2001/0025859 A1 10/2001 Dumont  
 2007/0012723 A1 1/2007 Laidler et al.

2008/0314928 A1 12/2008 Banco et al.  
 2009/0289025 A1 11/2009 Mueller et al.  
 2010/0090027 A1 4/2010 Knopow et al.  
 2010/0108779 A1 5/2010 Filsouf  
 2010/0206903 A1 8/2010 Banco et al.

FOREIGN PATENT DOCUMENTS

CN 99342509 2/2001  
 CN 200430095957 8/2005  
 CN 3572572 S 10/2006  
 CN 200630066715 7/2007  
 CN 300818054 8/2007  
 CN 301830112 S 8/2007  
 CN 200730309678 9/2008  
 CN 200930151790 5/2010  
 CN 201030143621 10/2010  
 CN 201030684779 7/2011  
 CN 301830160 S 2/2012  
 CN 301837918 S 2/2012  
 CN 301837923 S 2/2012  
 CN 201130172169 3/2012  
 CN 301888699 S 4/2012  
 CN 301888708 S 4/2012  
 CN 301888710 S 4/2012  
 CN 301888741 S 4/2012  
 CN 301888754 S 4/2012  
 CN 301991878 S 7/2012  
 CN 302151680 S 10/2012  
 CN 302359043 S 3/2013  
 CN 201330323728 12/2013  
 CN 201330652162 5/2014  
 CN 201430032895 7/2014  
 CN 201430236128 1/2015  
 CN 201430341364 4/2015  
 CN 201430416374 4/2015  
 CN 201430346597 5/2015  
 CN 201430444952 5/2015  
 CN 201430460645 6/2015  
 CN 201530040867 7/2015  
 CN 201530041708 7/2015  
 CN 201530083699 7/2015  
 CN 201530085624 8/2015  
 DM 029602 5/1994  
 DM 052591 12/1999  
 DM 066746 6/2005  
 DM 068378 12/2006  
 DM 078472 4/2012  
 DM 079028 7/2012  
 EM 000041140-0002 6/2003  
 EM 000591789-0002 9/2006  
 EM 000730585-0001 5/2007  
 EM 000937602-0002 7/2008  
 EM 001001671-0001 9/2008  
 EM 001171656-0004 10/2009  
 EM 001183032-0003 12/2009  
 EM 001187512-0002 1/2010  
 EM 001797150-0002 12/2010  
 EM 001807710-0001 1/2011  
 EM 001807710-0002 1/2011  
 EM 001297154-0001 10/2011  
 EM 002421412-0001 3/2014  
 EM 002490383-0001 6/2014  
 EM 002757831-0015 5/2015  
 EM 002769265-0010 9/2015  
 EP 1800698 A1 6/2007  
 WO WO2009020929 A1 2/2009

\* cited by examiner

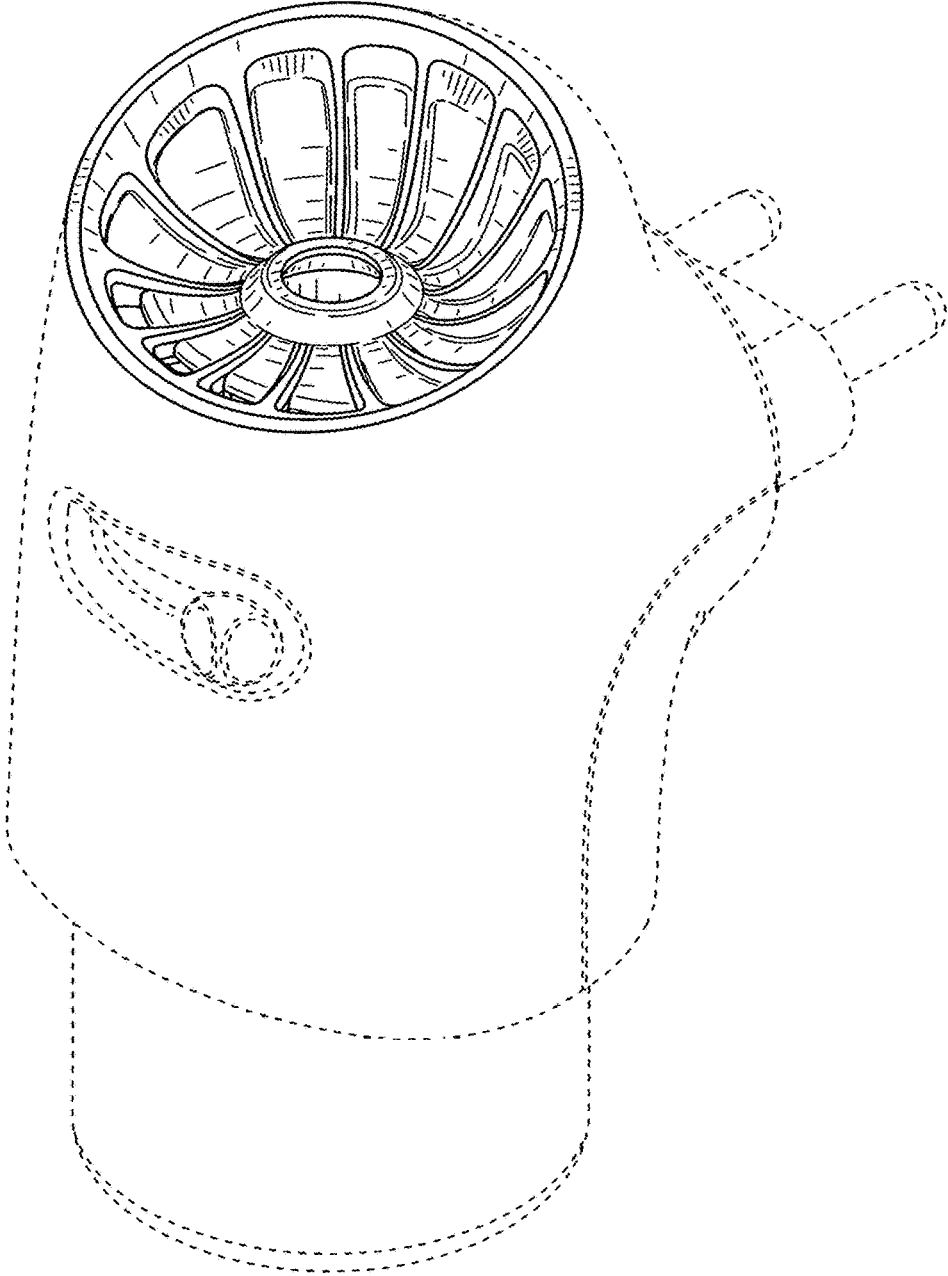


FIG. 1

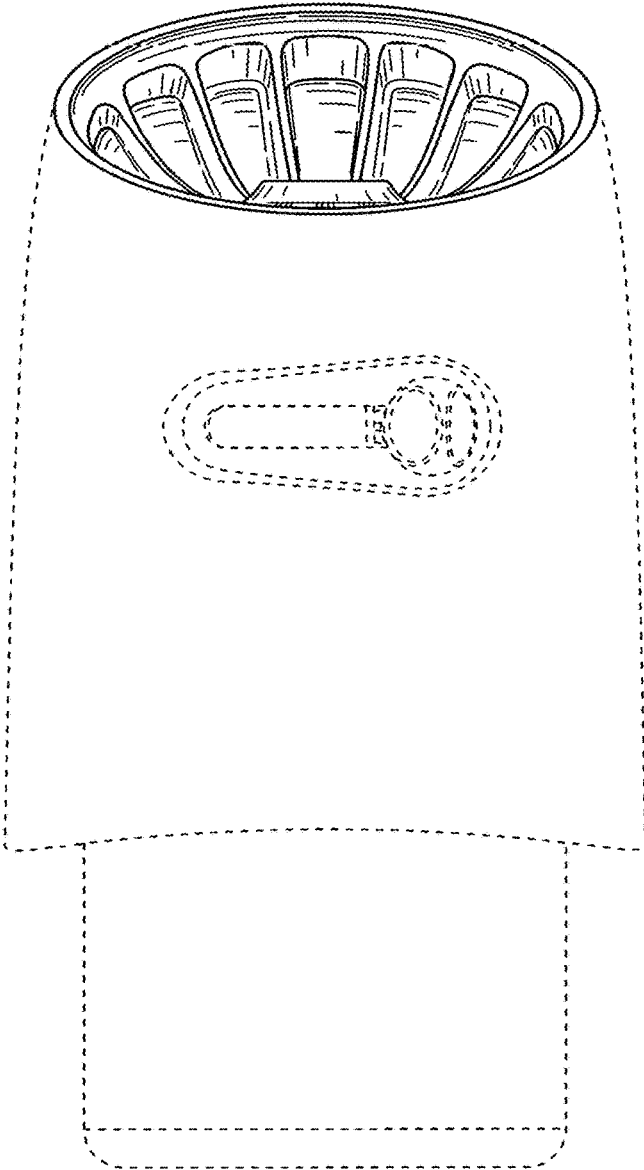


FIG. 2

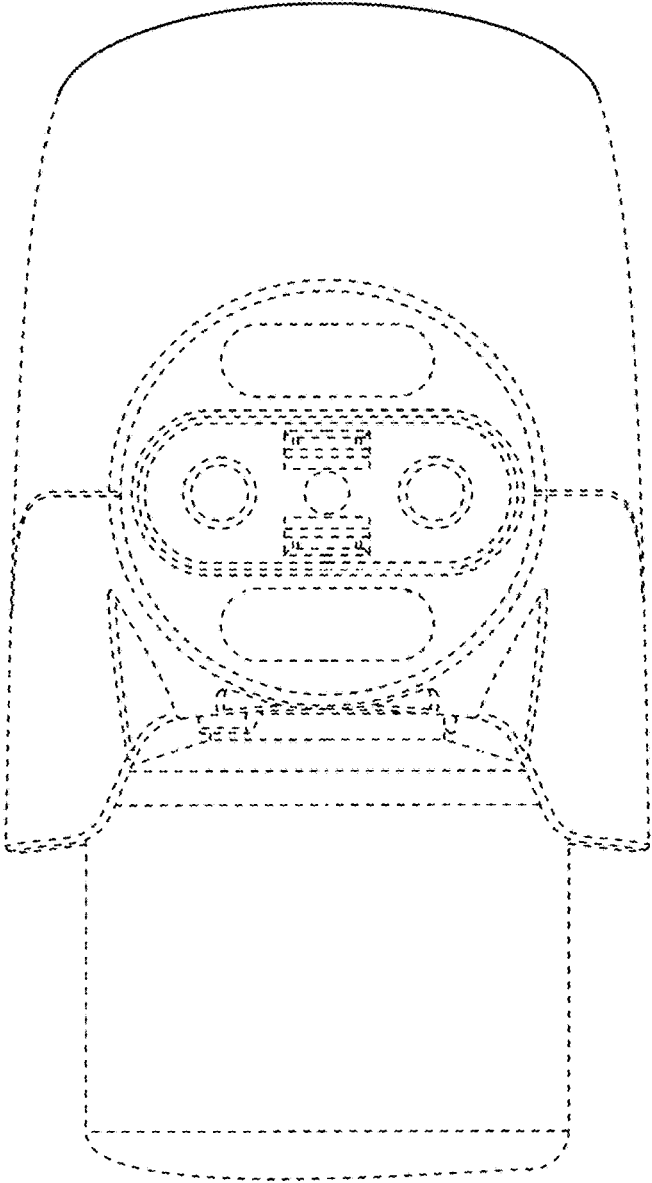


FIG. 3

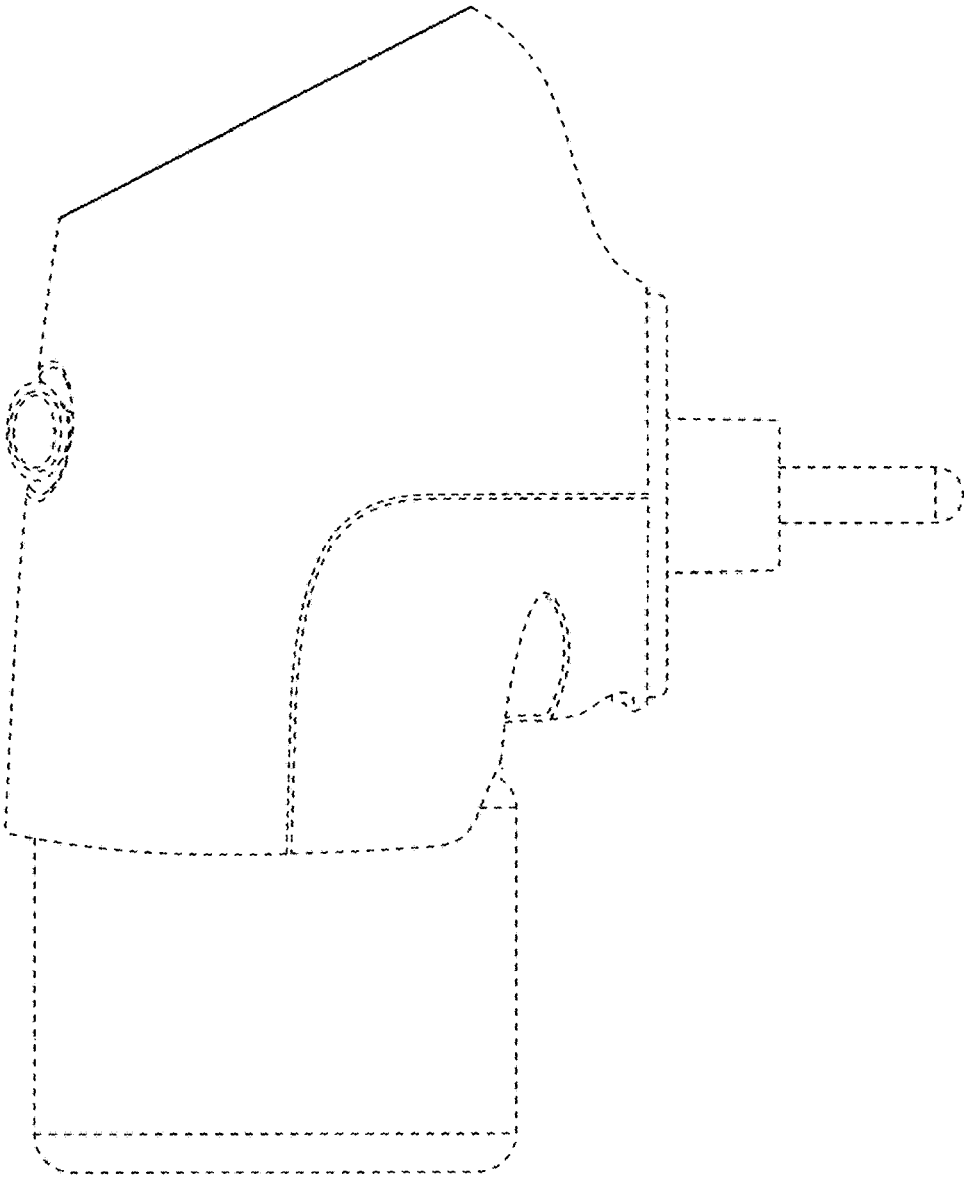


FIG. 4

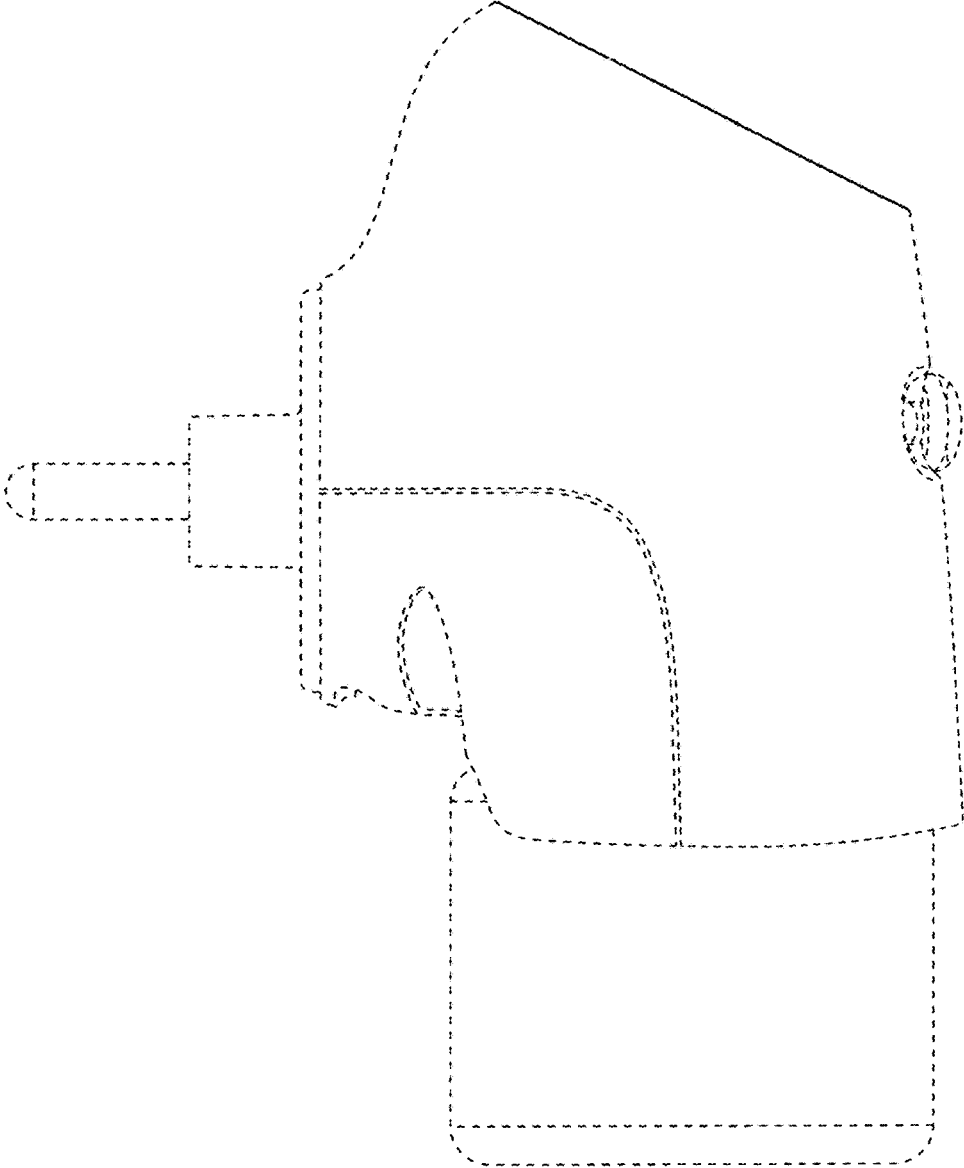


FIG. 5

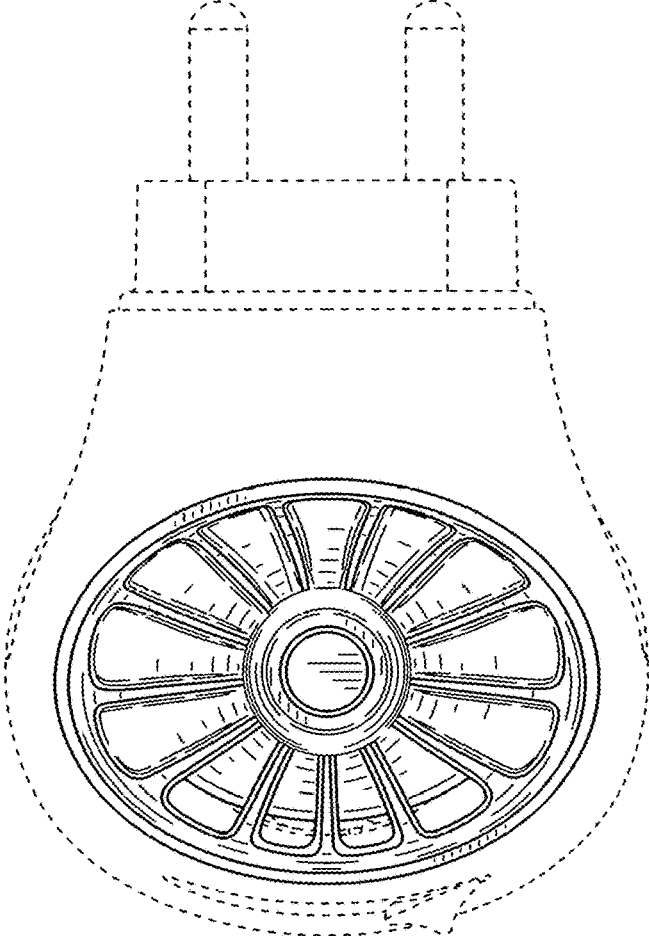


FIG. 6