



US00D586742S

(12) **United States Design Patent**
Song

(10) **Patent No.:** **US D586,742 S**

(45) **Date of Patent:** **** Feb. 17, 2009**

(54) **SMART BATTERY**

(75) Inventor: **David Tan Qing Song**, Fu Tian District (CN)

(73) Assignee: **Teleway Industrial Ltd.**, Shenzhen (CN)

(**) Term: **14 Years**

(21) Appl. No.: **29/318,741**

(22) Filed: **May 27, 2008**

(51) **LOC (9) Cl.** **13-02**

(52) **U.S. Cl.** **D13/103**

(58) **Field of Classification Search** D13/102-106,
D13/110, 118-119, 184; 429/96-100, 163,
429/176

See application file for complete search history.

(56) **References Cited**

U.S. PATENT DOCUMENTS

4,288,733	A *	9/1981	Bilanceri et al.	320/113
5,489,486	A *	2/1996	Glover	429/100
D400,493	S *	11/1998	Witkowski et al.	D13/103
D446,499	S *	8/2001	Andre et al.	D13/110
6,447,949	B2 *	9/2002	Iwata et al.	429/185
6,602,637	B1 *	8/2003	Kurasawa et al.	429/176
D506,065	S *	6/2005	Sugino et al.	D3/294
D518,451	S *	4/2006	Nussberger et al.	D13/184
D561,093	S *	2/2008	Sween et al.	D13/110
D561,094	S *	2/2008	Sween et al.	D13/110
D561,687	S *	2/2008	Sween et al.	D13/110
D568,240	S *	5/2008	Haydvoel	D13/103

2003/0017372	A1 *	1/2003	Probst et al.	429/7
2003/0129487	A1 *	7/2003	Inoue et al.	429/176
2005/0106454	A1 *	5/2005	Kozu et al.	429/175
2005/0118501	A1 *	6/2005	Hashimoto et al.	429/180
2005/0233206	A1 *	10/2005	Puttaiah et al.	429/120
2006/0246349	A1 *	11/2006	Uh	429/175

* cited by examiner

Primary Examiner—Jennifer Rivard

Assistant Examiner—Rosemary K Tarcza

(74) *Attorney, Agent, or Firm*—Christie, Parker & Hale, LLP

(57) **CLAIM**

The ornamental design for smart battery, as shown and described.

DESCRIPTION

FIG. 1 is a bottom left side isometric view of the battery of the invention;

FIG. 2 is a left side elevational view thereof;

FIG. 3 is a front elevational view thereof;

FIG. 4 is a right side elevational view thereof;

FIG. 5 is a rear elevational view thereof;

FIG. 6 is a bottom plan view thereof;

FIG. 7 is a top plan view thereof; and,

FIG. 8 is an exploded view thereof.

The broken lines shown in the drawings are included for the purpose of illustrating environmental structure and form no part of the claimed design.

1 Claim, 5 Drawing Sheets

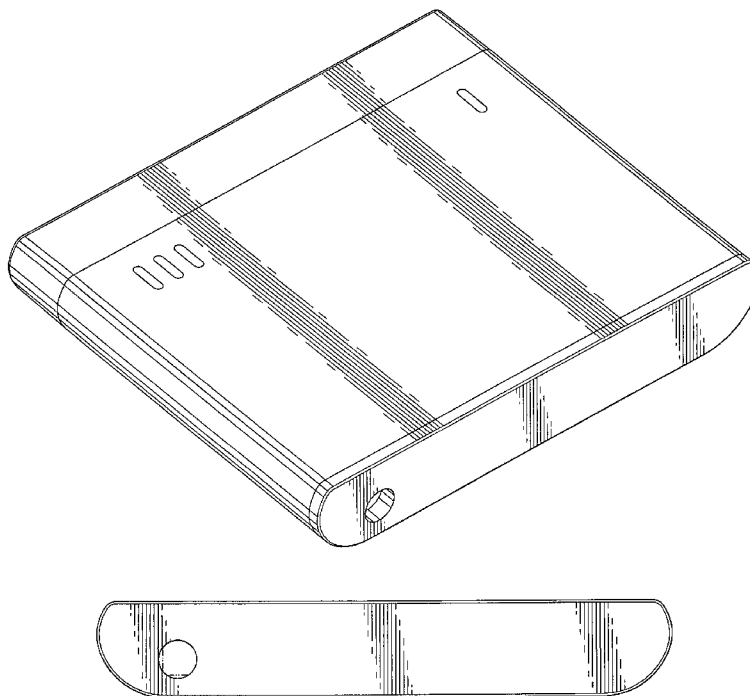


FIG. 1

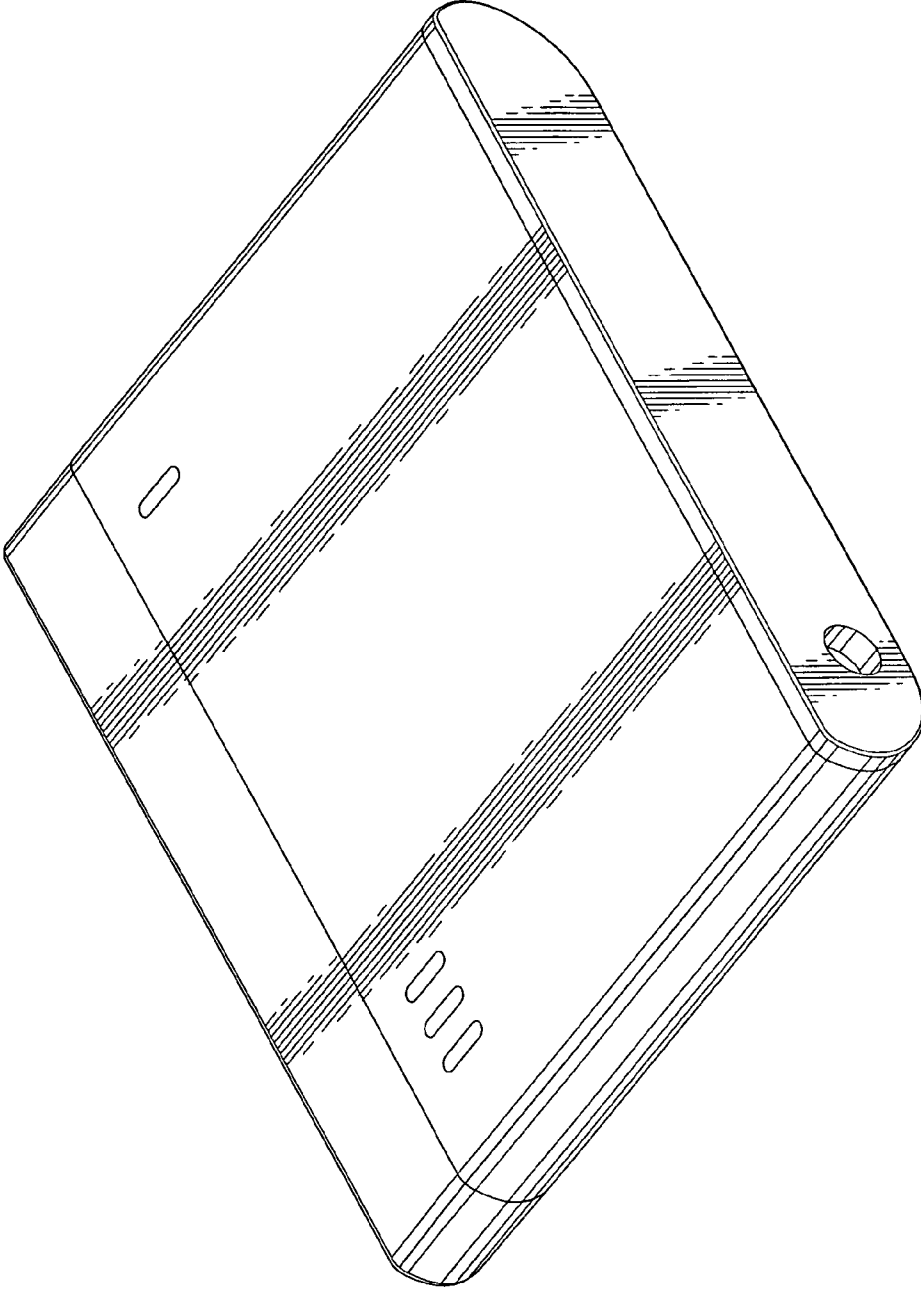


FIG. 3

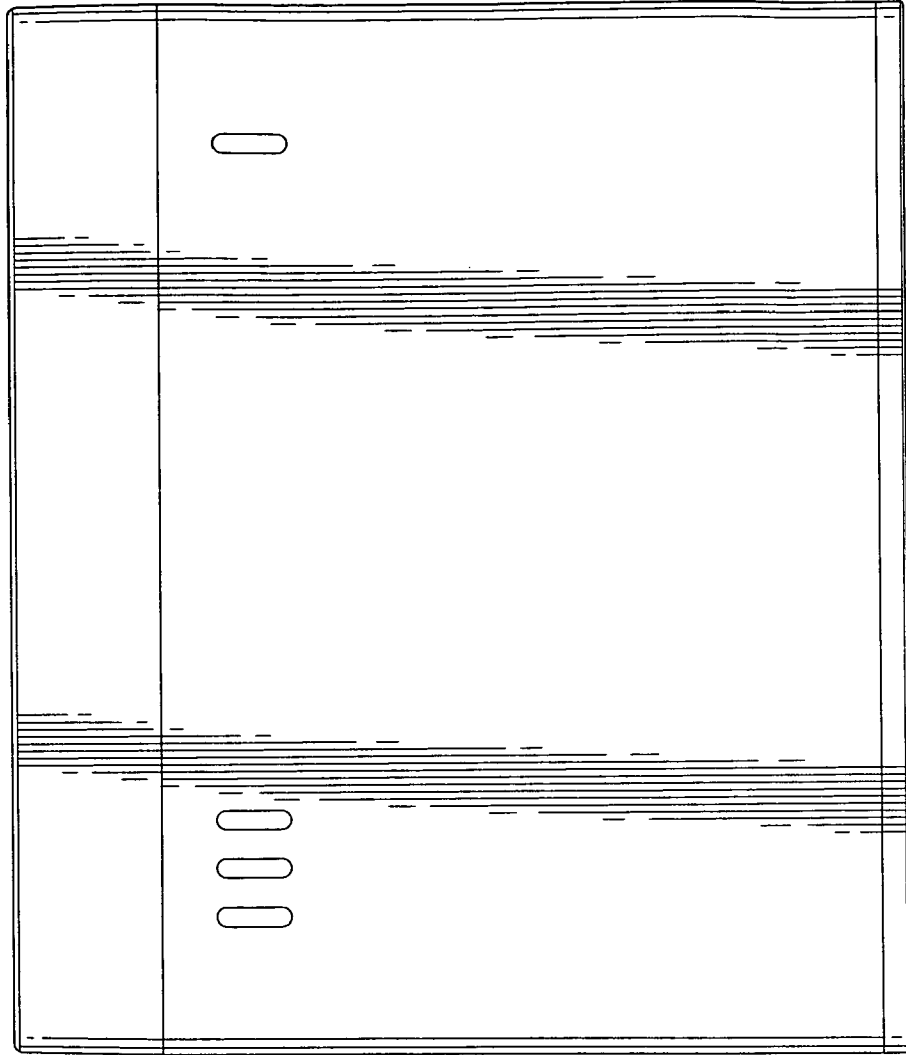


FIG. 2

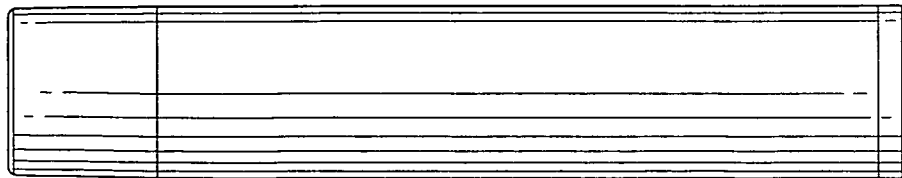


FIG. 5

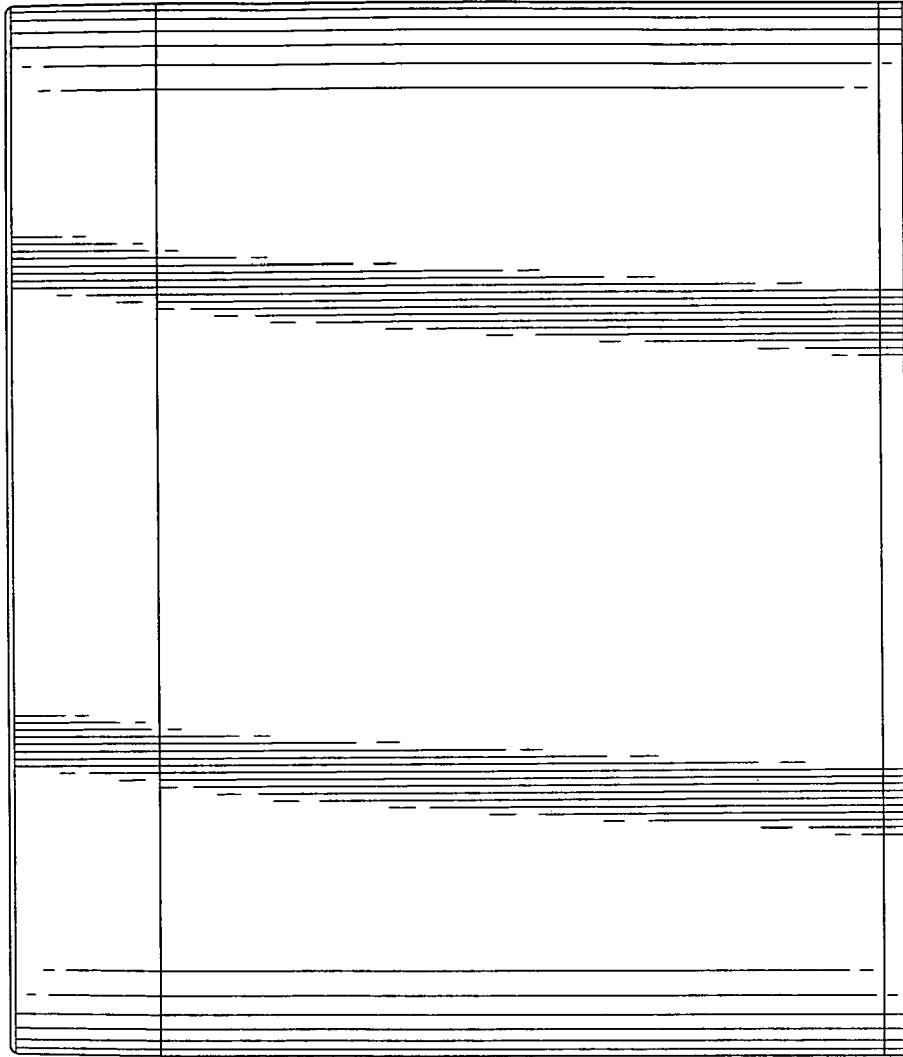


FIG. 4

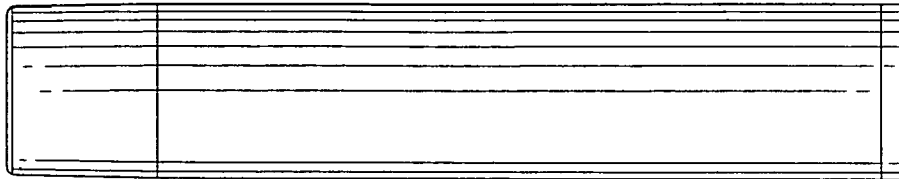


FIG. 6

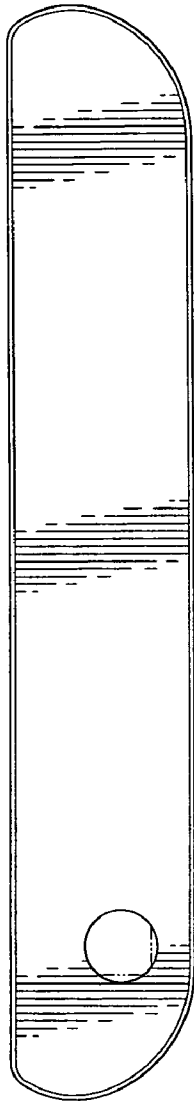


FIG. 7

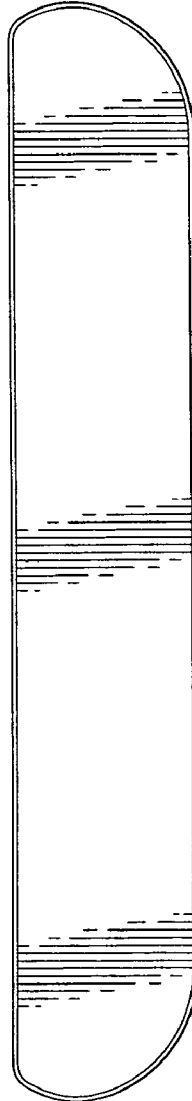


FIG. 8

