

- [54] URINAL SCREEN
- [76] Inventor: **John M. Adam**, 2404 Powers Ferry Rd., Atlanta, Ga. 30062
- [\*\*] Term: **14 Years**
- [21] Appl. No.: **18,867**
- [22] Filed: **Mar. 9, 1979**

D. 194,776	3/1963	Clark	.....	D6/86
D. 194,777	3/1963	Clark	.....	D6/86
2,211,970	8/1940	Fischer	.....	4/222
3,170,169	2/1965	Clark	.....	4/292
3,597,772	8/1971	Leavitt et al.	.....	4/222
3,760,429	9/1973	Brownstein	.....	4/222 X
3,824,633	7/1974	Vlahakis	.....	4/222 X
4,044,405	8/1977	Kreiss	.....	4/1
4,103,367	8/1978	Kaufer	.....	4/309 X

**Related U.S. Application Data**

- [63] Continuation-in-part of Ser. No. 950,583, Oct. 12, 1978, which is a continuation-in-part of Ser. No. 852,937, Nov. 18, 1977.

- [51] Int. Cl. .... **D23-01; D6-06**
- [52] U.S. Cl. .... **D6/86**
- [58] Field of Search ..... **D6/86; 210/163-165; 4/1, 222, 286, 288, 290, 292**

**References Cited**

**U.S. PATENT DOCUMENTS**

- D. 180,194 4/1957 Miller ..... D6/86

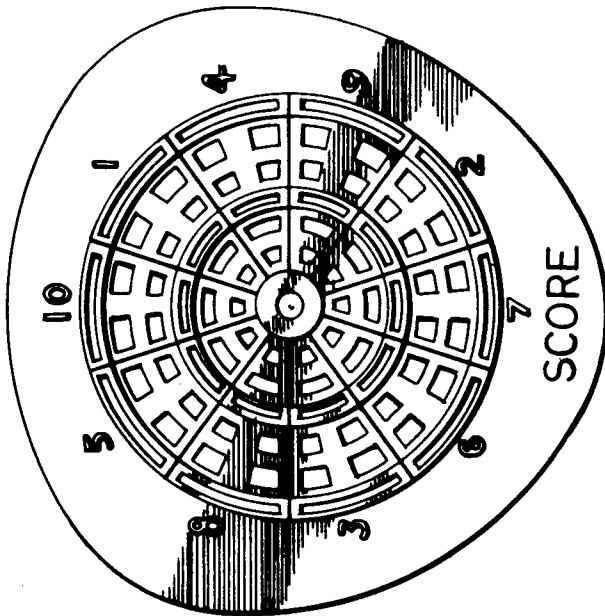
Primary Examiner—James R. Largen  
 Attorney, Agent, or Firm—Harold D. Jones, Jr.

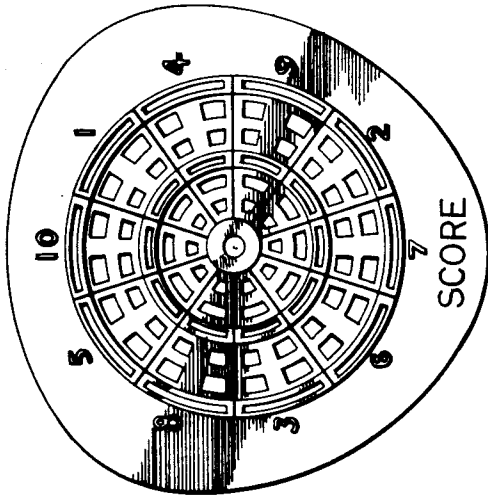
[57] **CLAIM**

The ornamental design for a urinal screen, substantially as shown.

**DESCRIPTION**

FIG. 1 is a top plan view of a urinal screen showing my new design;  
 FIG. 2 is a right side elevational view thereof;  
 FIG. 3 is a bottom plan view thereof;  
 FIG. 4 is a left side elevational view thereof; and  
 FIG. 5 is a front elevational view thereof.

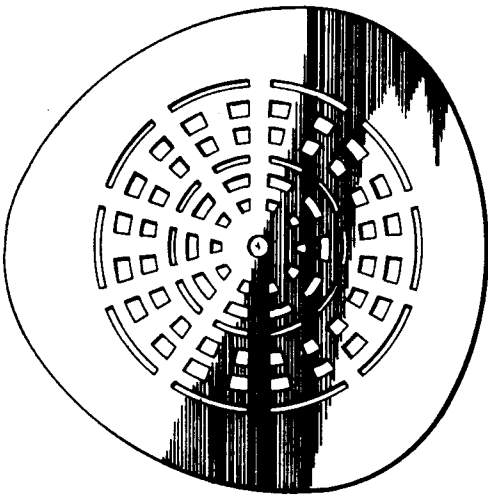




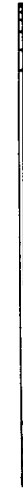
*Fig. 1*



*Fig. 2*



*Fig. 3*



*Fig. 4*

*Fig. 5*

