



US00D818734S

(12) **United States Design Patent**
Yang

(10) **Patent No.:** **US D818,734 S**

(45) **Date of Patent:** **** May 29, 2018**

- (54) **BENCH**
- (71) Applicant: **Lei Yang**, City of Industry, CA (US)
- (72) Inventor: **Lei Yang**, City of Industry, CA (US)
- (73) Assignee: **Import Direct Inc.**, City of Industry, CA (US)
- (**) Term: **15 Years**
- (21) Appl. No.: **29/556,383**
- (22) Filed: **Feb. 29, 2016**
- (51) **LOC (11) Cl.** **06-01**
- (52) **U.S. Cl.**
USPC **D6/381**
- (58) **Field of Classification Search**
USPC ... D6/329, 334, 349, 374, 375, 381, 718.13,
D6/718.23
CPC A47C 13/00; A47C 13/005; A47C 11/00
See application file for complete search history.

D498,064 S *	11/2004	Gomez	D6/334
D526,803 S *	8/2006	Lee	D6/381
D527,196 S *	8/2006	Antonioni	D6/381
D528,834 S *	9/2006	Schmitt	D6/381
D532,616 S *	11/2006	Auberger	D6/334
D540,562 S *	4/2007	Muller	D6/381
D544,231 S *	6/2007	Boutin	D6/375
D566,980 S *	4/2008	Mourgue	D6/381
7,360,260 B2 *	4/2008	Gallawa	A47B 83/04 108/134
D569,112 S *	5/2008	Swanson	D6/334
D573,358 S *	7/2008	Gharabegian	D6/334
D585,200 S *	1/2009	Lissoni	D6/334
D587,918 S *	3/2009	Bergman	D6/381
D593,336 S *	6/2009	Ciani	D6/374
D609,034 S *	2/2010	Lissoni	D6/716
D614,876 S *	5/2010	Metcalf	D6/349

(Continued)

Primary Examiner — Deanna L Pratt
(74) *Attorney, Agent, or Firm* — Raymond Y. Chan;
David and Raymond Patent Firm

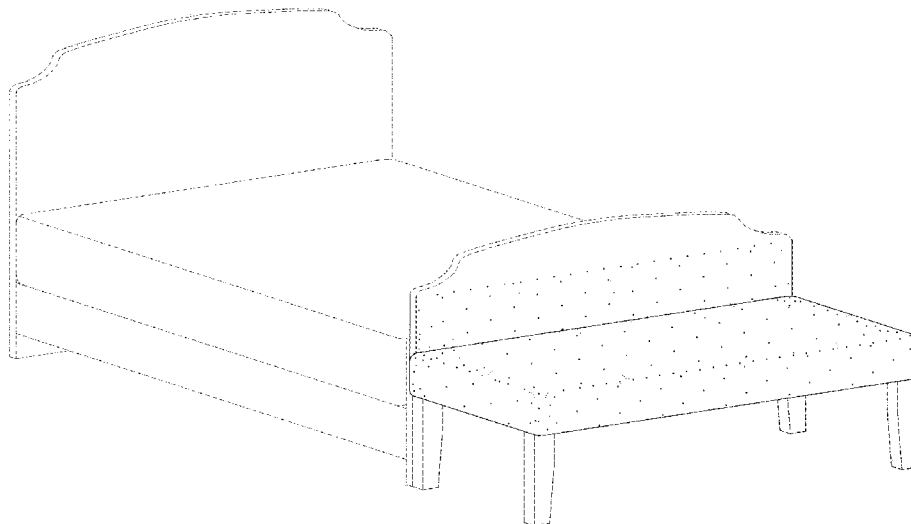
(57) **CLAIM**
The ornamental design for a bench, as shown and described.

- (56) **References Cited**
U.S. PATENT DOCUMENTS
D141,774 S * 7/1945 Belz 297/445.1
D175,877 S * 10/1955 Bartolucci D6/381
3,093,410 A * 6/1963 Wilson A47C 15/002
297/119
D202,339 S * 9/1965 McRee D6/336
D237,329 S * 10/1975 Pehlheim am
Kaunzberg D6/372
D259,601 S * 6/1981 Marks D6/334
D307,219 S * 4/1990 Provencher D6/362
D335,964 S * 6/1993 Diaz-Azcuy D6/349
D352,179 S * 11/1994 Lowman D6/334
D401,074 S * 11/1998 Hutton D6/334
D442,374 S * 5/2001 Hutton D6/334
D448,942 S * 10/2001 Mourgue D6/334
D455,282 S * 4/2002 Andersen D6/335
D483,189 S * 12/2003 Cronk D6/334

DESCRIPTION

FIG. 1 is a perspective view of the bench of my new design.
FIG. 2 is a front view of the bench.
FIG. 3 is a rear view of the bench.
FIG. 4 is a right view of the bench.
FIG. 5 is a left view of the bench.
FIG. 6 is a top view of the bench.
FIG. 7 is a bottom view of the bench; and,
FIG. 8 is a perspective view of the bench serving as a
bedroom bench, wherein a back frame of the bench matches
with a headboard of a bed frame.
The broken line portion of the figure drawings is included to
show unclaimed subject matter only and forms no part of the
claimed design.

1 Claim, 8 Drawing Sheets



(56)

References Cited

U.S. PATENT DOCUMENTS

D618,935	S *	7/2010	Metcalf	D6/349
D661,918	S *	6/2012	Ciani	D6/375
D717,552	S *	11/2014	Baraldi	D6/334
D742,134	S *	11/2015	Miller	D6/381
2017/0042337	A1 *	2/2017	Yang	A47C 19/22
2017/0055716	A1 *	3/2017	Yang	A47C 19/22

* cited by examiner

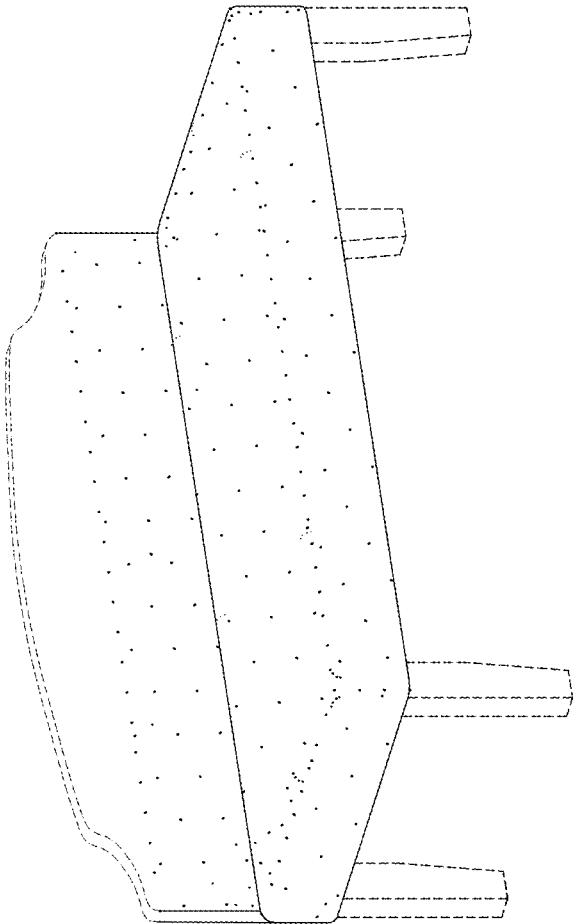


FIG.1

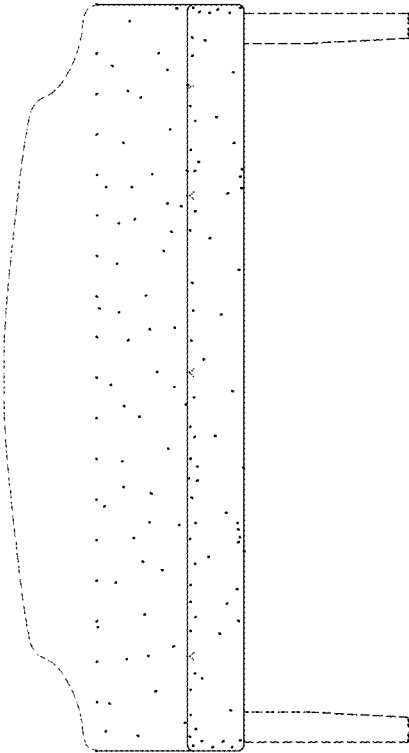


FIG.2

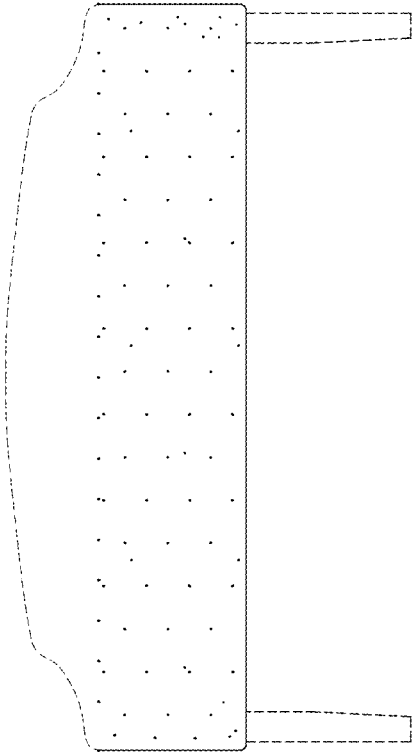


FIG.3

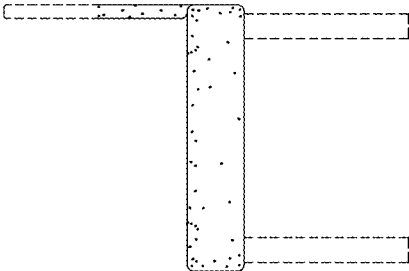


FIG.4

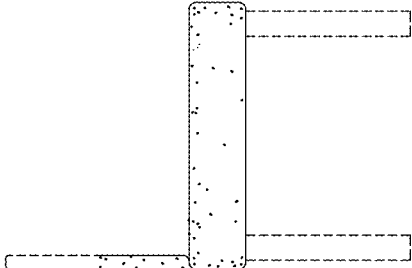


FIG.5

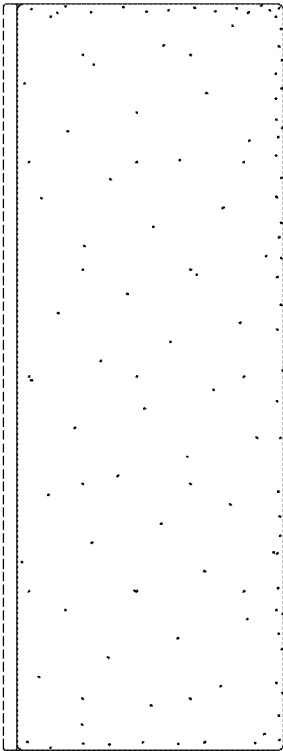


FIG.6

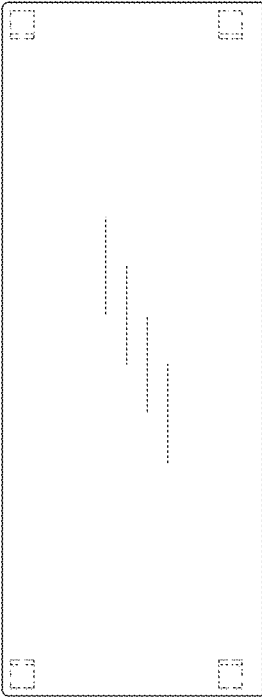


FIG.7

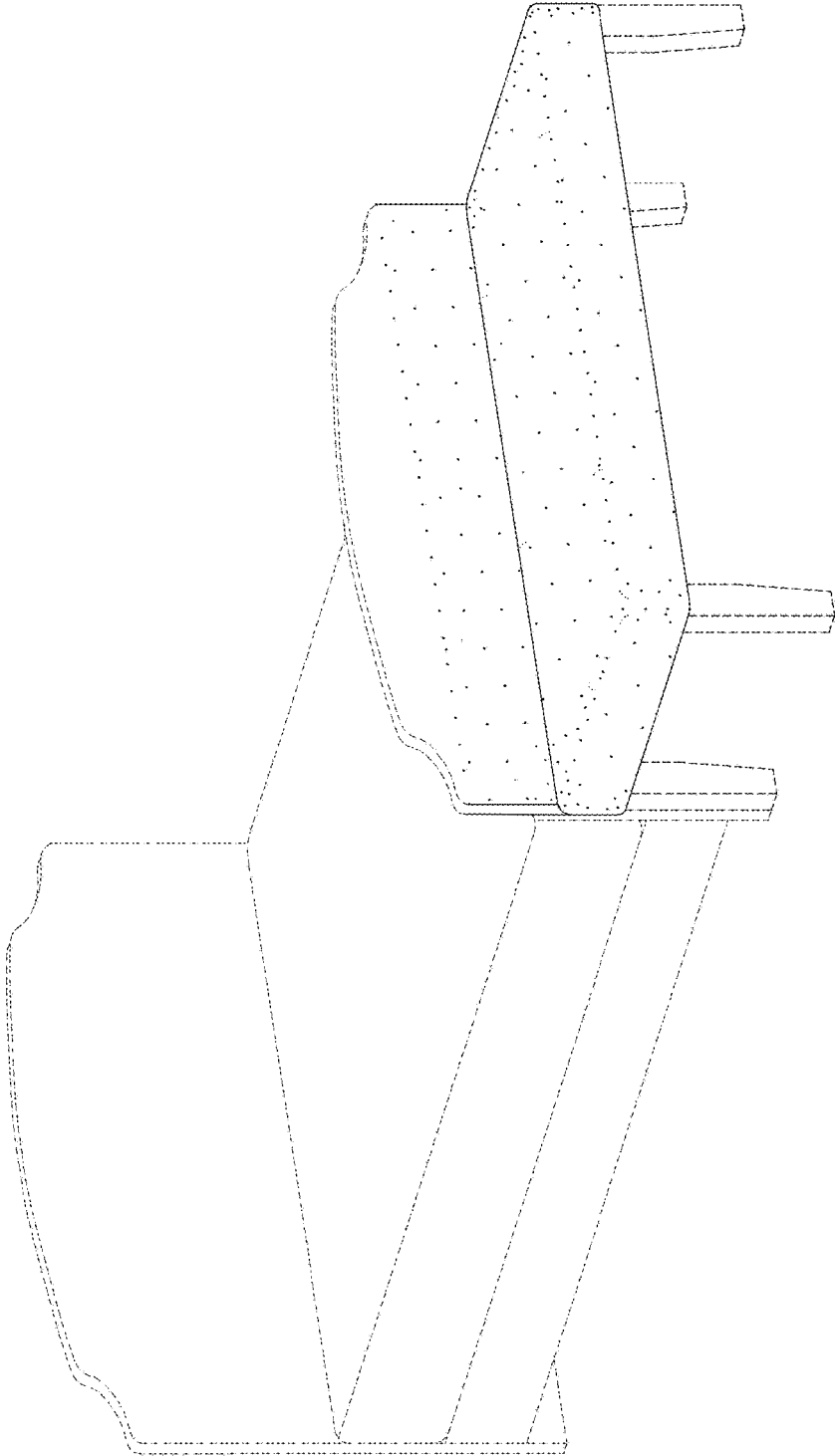


FIG.8