



US00D880327S

(12) **United States Design Patent**  
**Costabile et al.**

(10) **Patent No.:** **US D880,327 S**

(45) **Date of Patent:** **\*\* Apr. 7, 2020**

(54) **OPERATING/DISPLAY PANEL**

CPC ..... B66B 1/00; B66B 3/00  
See application file for complete search history.

(71) Applicant: **OTIS ELEVATOR COMPANY,**  
Farmington, CT (US)

(56) **References Cited**

(72) Inventors: **Robert Costabile,** Hamden, CT (US);  
**Harold Terry,** New Hartford, CT (US);  
**Danny Seheon Lee,** Gunpo (KR); **Hak**  
**Cheol Kim,** Seoul (KR); **Bruce F.**  
**Gallo,** Farmington, CT (US); **Andrew**  
**Zielke,** Plainville, CT (US)

U.S. PATENT DOCUMENTS

D589,833 S 4/2009 Kim  
D610,031 S \* 2/2010 Beland ..... D10/118  
D693,803 S 11/2013 Colley et al.  
D702,578 S \* 4/2014 Joyce ..... D10/108

(Continued)

OTHER PUBLICATIONS

(73) Assignee: **OTIS ELEVATOR COMPANY,**  
Farmington, CT (US)

Available Mar. 17, 2015, [online], [site visited Mar. 7, 2019].  
Available from Internet, <URL:https://medium.com/interactive-mind/  
a-story-of-ux-obsession-and-elevators-bae156462943> (Year: 2015).\*

(Continued)

(\*\*) Term: **15 Years**

*Primary Examiner* — Michael C Stout  
*Assistant Examiner* — Katrina N Gonzalez  
(74) *Attorney, Agent, or Firm* — Cantor Colburn LLP

(21) Appl. No.: **29/624,633**

(22) Filed: **Nov. 2, 2017**

(51) **LOC (12) Cl.** ..... **10-05**

(57) **CLAIM**

(52) **U.S. Cl.**  
USPC ..... **D10/108**

We claim, the ornamental design for an operating/display panel, as shown and described.

(58) **Field of Classification Search**

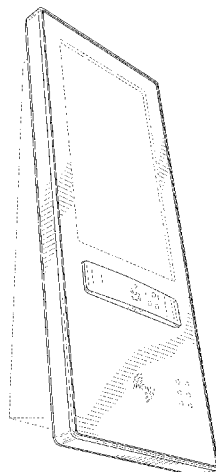
**DESCRIPTION**

USPC ..... D10/46, 46.1, 49, 50, 51, 52, 53, 55, 57,  
D10/104, 106, 160.1, 106.6, 106.95, 108,  
D10/109.1, 109.2, 113.4, 114.1, 114.2,  
D10/118, 118.1, 118.2, 121, 123, 125;  
D6/310, 466; D13/162, 162.1, 163, 168;  
D14/138 G, 146, 149, 150, 198, 218, 245,  
D14/247, 302, 303, 304, 305, 306, 307,  
D14/371, 383, 388, 389, 390, 485, 486,  
D14/900, 902; D18/6, 7; D20/10, 43;  
D21/332, 325, 369, 370; D99/28;  
187/380, 389, 390, 391, 396, 397, 395;  
194/206; 361/679.01, 679.02, 679.04,  
361/679.21, 679.57, 725

FIG. 1 is a perspective view of an operating/display panel, showing our new design;  
FIG. 2 is a front view thereof;  
FIG. 3 is a rear view thereof;  
FIG. 4 is a side view thereof;  
FIG. 5 is another side view thereof;  
FIG. 6 is a top view thereof;  
FIG. 7 is a bottom view thereof;  
FIG. 8 is another perspective view thereof, as shown mounted to a wall in a user environment; and,  
FIG. 9 is another side view thereof, as shown mounted to a wall in a user environment.

The broken-lines illustrate portions of the operating/display panel that form no part of the claimed design. The broken

(Continued)



lines, showing the wall portions in FIGS. 8 and 9, illustrate environmental structure that forms no part of the claimed design.

D830,868 S	*	10/2018	Kress	.....	D10/87
D831,639 S	*	10/2018	Terry	.....	D14/307
D838,618 S	*	1/2019	Nagaki	.....	D10/104.1

**1 Claim, 7 Drawing Sheets**

(56)

**References Cited**

U.S. PATENT DOCUMENTS

D702,579 S		4/2014	Lee et al.		
D703,079 S	*	4/2014	Joyce	.....	D10/108
D705,108 S		5/2014	Lee et al.		
D708,084 S	*	7/2014	Lee	.....	D10/108
D717,785 S		11/2014	Winston et al.		
D747,990 S	*	1/2016	Lee	.....	D10/108
D748,515 S	*	2/2016	Matsuyama	.....	D10/108
D754,013 S	*	4/2016	Choi	.....	D10/108
D760,611 S	*	7/2016	Saari	.....	D10/108
D761,783 S		7/2016	Kulkarni et al.		
D763,112 S	*	8/2016	Choi	.....	D10/108
D763,247 S		8/2016	Yepez et al.		
D777,722 S		1/2017	Murphy		
D781,736 S	*	3/2017	Friedli	.....	D10/108
D781,843 S		3/2017	Horn, II		
D782,466 S		3/2017	Yepez et al.		
D782,467 S		3/2017	Bladwell		
D807,763 S	*	1/2018	Jacoby	.....	D10/50
D816,077 S		4/2018	Benic et al.		
D820,793 S	*	6/2018	Arai	.....	D13/168

OTHER PUBLICATIONS

Available Nov. 1, 2018, [online], [site visited Mar. 7, 2019]. Available from Internet, <URL:http://gd.kidp.or.kr/eng/product/eng\_product\_view.asp?idx=9438> (Year: 2018).\*

Available Mar. 1, 2016, [online], [site visited Mar. 7, 2019]. Available from Internet, <URL:https://medium.com/ux-for-india/interface-for-1000-floors-elevator-30a38863162b> (Year: 2016).\*

Available Mar. 7, 2019, [online], [site visited Mar. 7, 2019]. Available from Internet, <URL:https://continuingeducation.bnppmedia.com/courses/otis-elevator-company/destination-dispatch-elevator-systems-benefit-passengers-building-owners-and-design-professionals/7/> (Year: 2019).\*

Available Mar. 7, 2019, [online], [site visited Mar. 7, 2019]. Available from Internet, <URL:https://files.otis.com/otis/en/us/contentimages/TouchpadFactsheet\_WHQ\_01132017.pdf> (Year: 2019).\*

Available Mar. 7, 2019, [online], [site visited Mar. 7, 2019]. Available from Internet, <URL:https://files.otis.com/otis/en/us/contentimages/TouchScreenFactsheet\_WHQ\_01132017.pdf> (Year: 2019).\*

Available Mar. 7, 2019, [online], [site visited Mar. 7, 2019]. Available from Internet, <URL:https://files.otis.com/otis/en/us/contentimages/10265\_CompassPlus\_v2.pdf> (Year: 2019).\*

Notice of Allowance; U.S. Appl. No. 29/614,598; filed Aug. 21, 2017; Operating/Display Panel; Notification Date: Jul. 6, 2018; 1-6 Pages.

\* cited by examiner

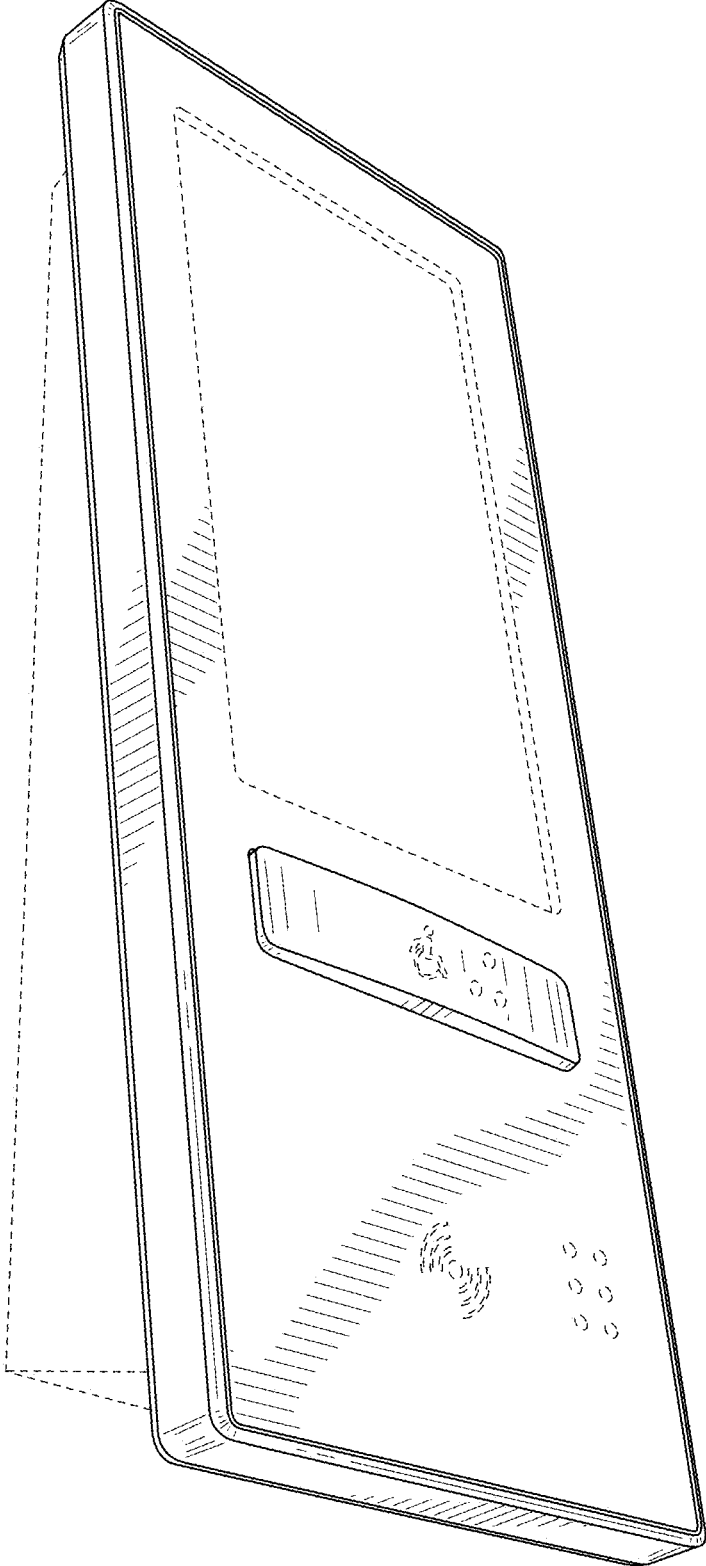


FIG. 1

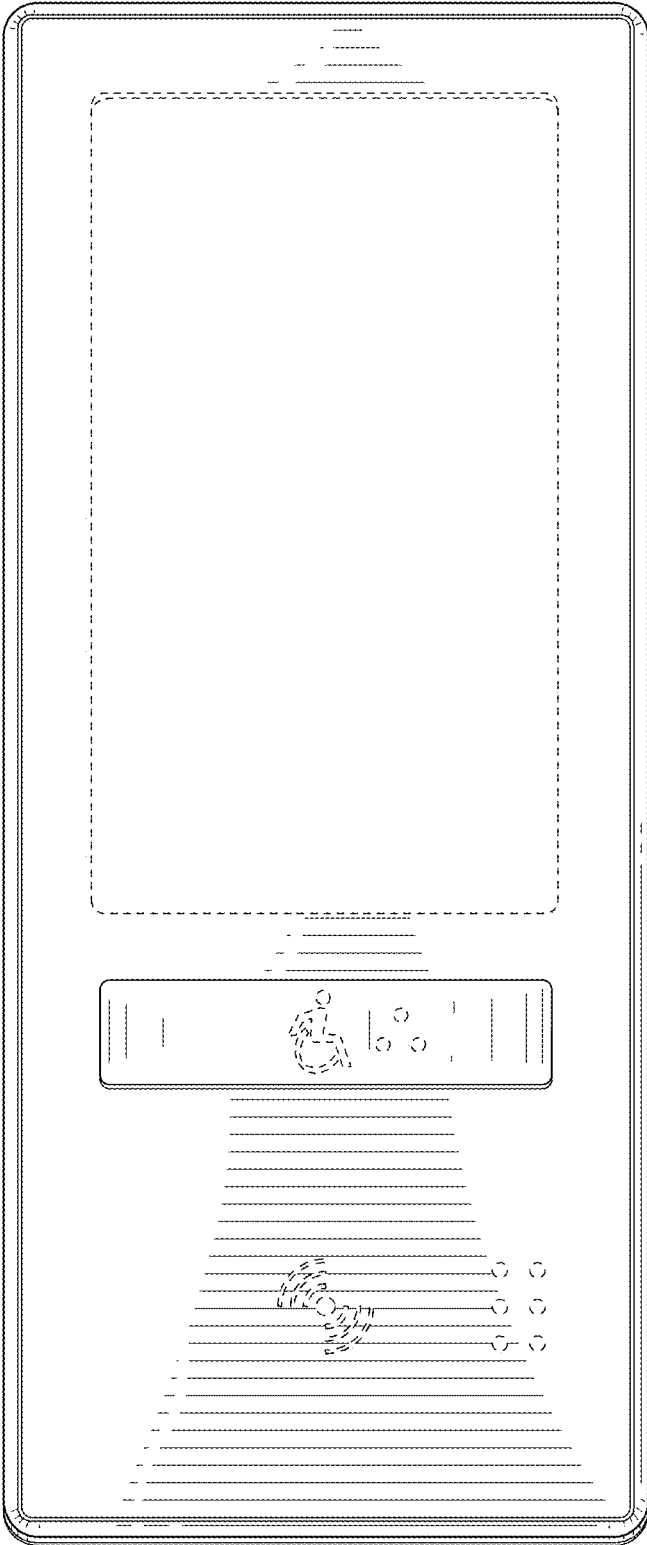


FIG. 2

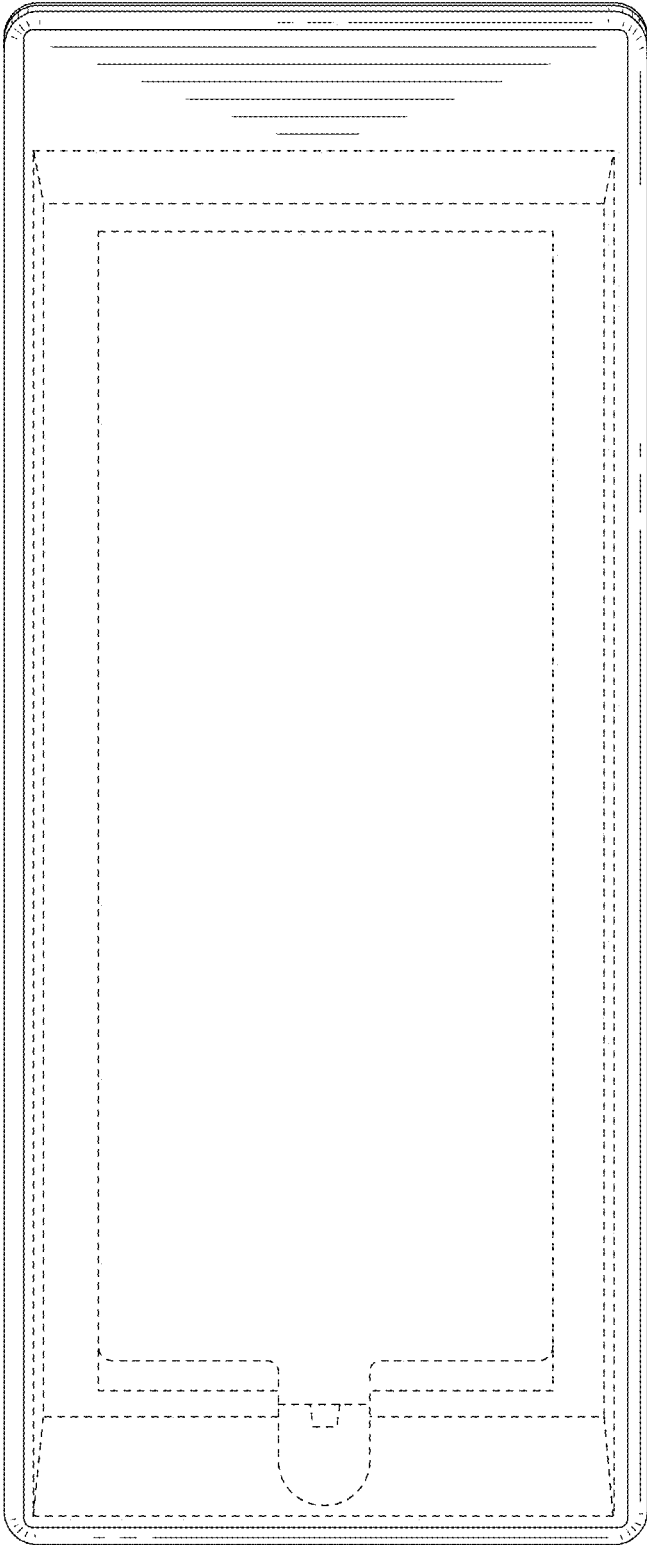


FIG. 3

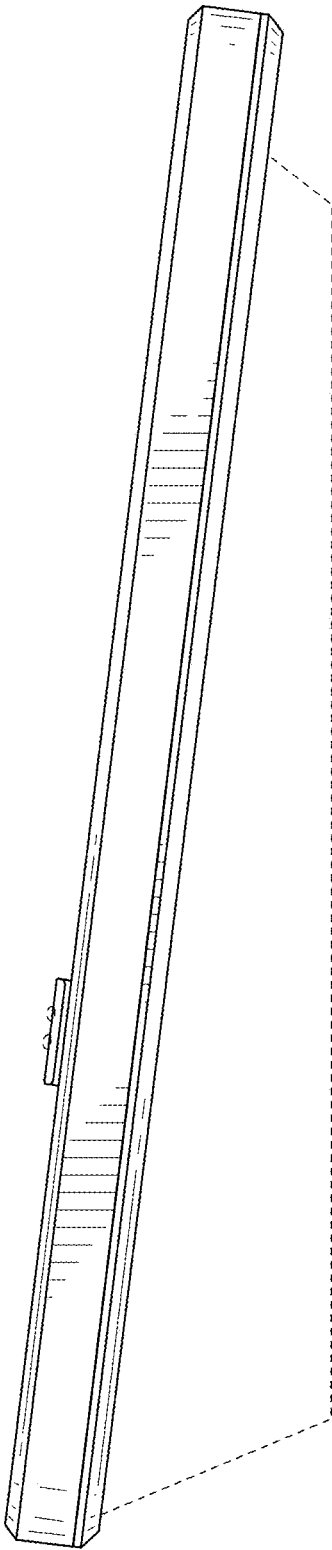


FIG. 4

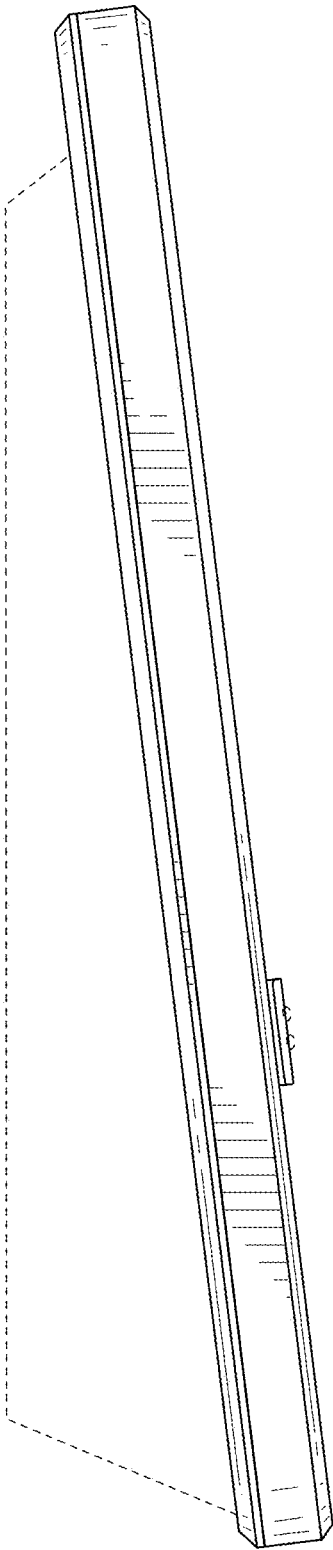


FIG. 5

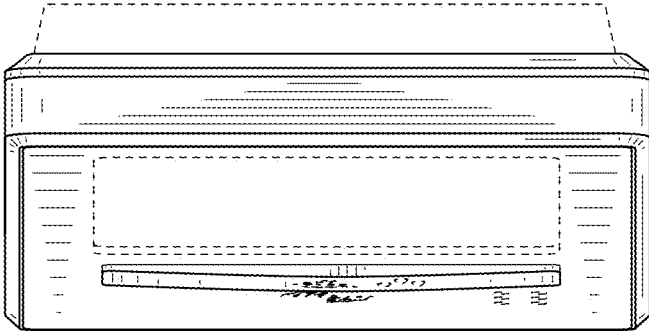


FIG. 6

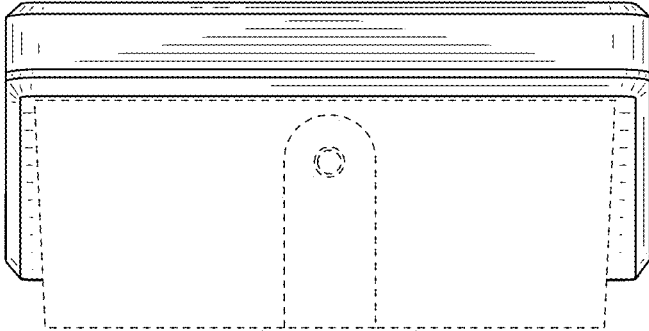


FIG. 7

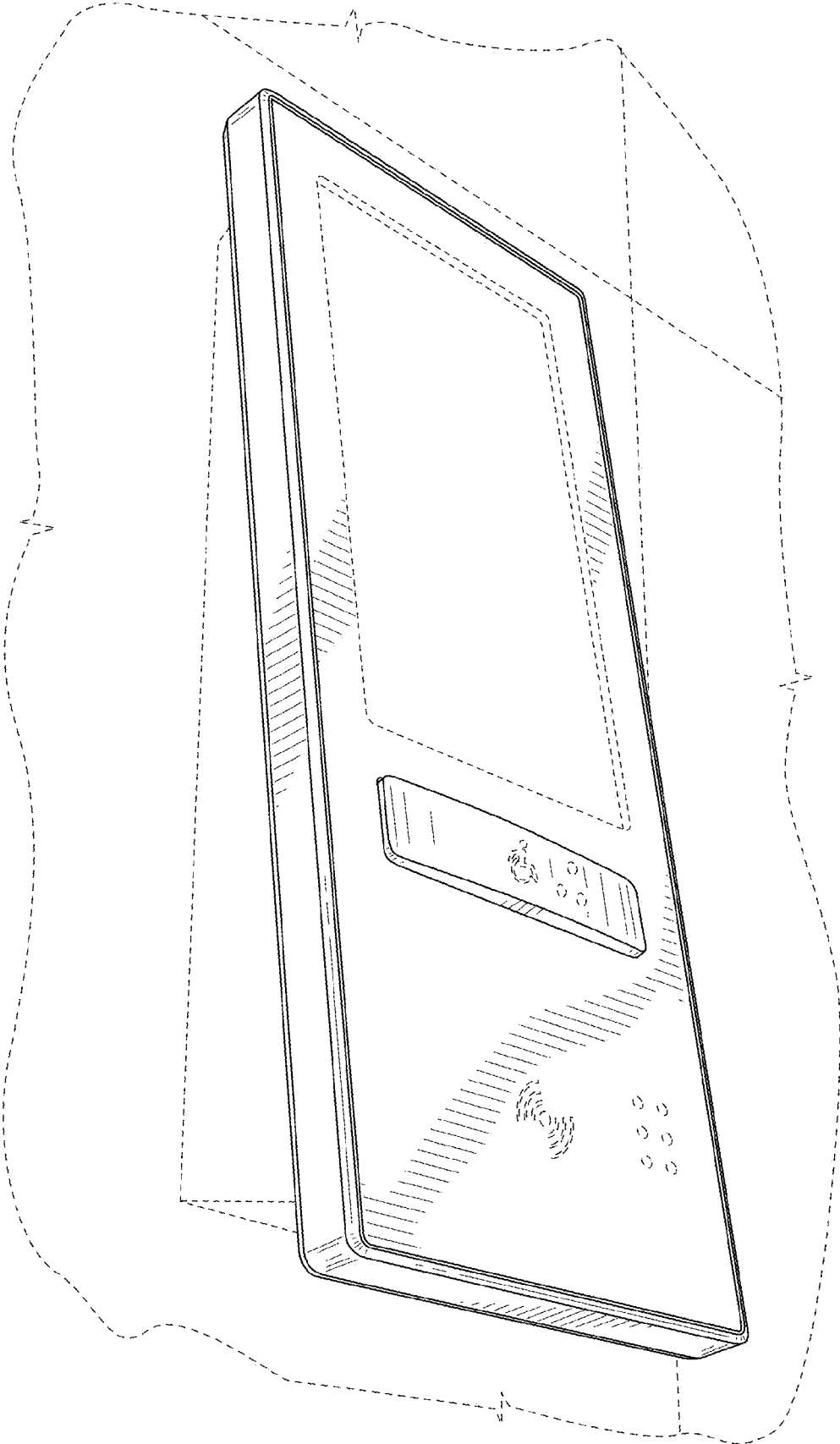


FIG. 8



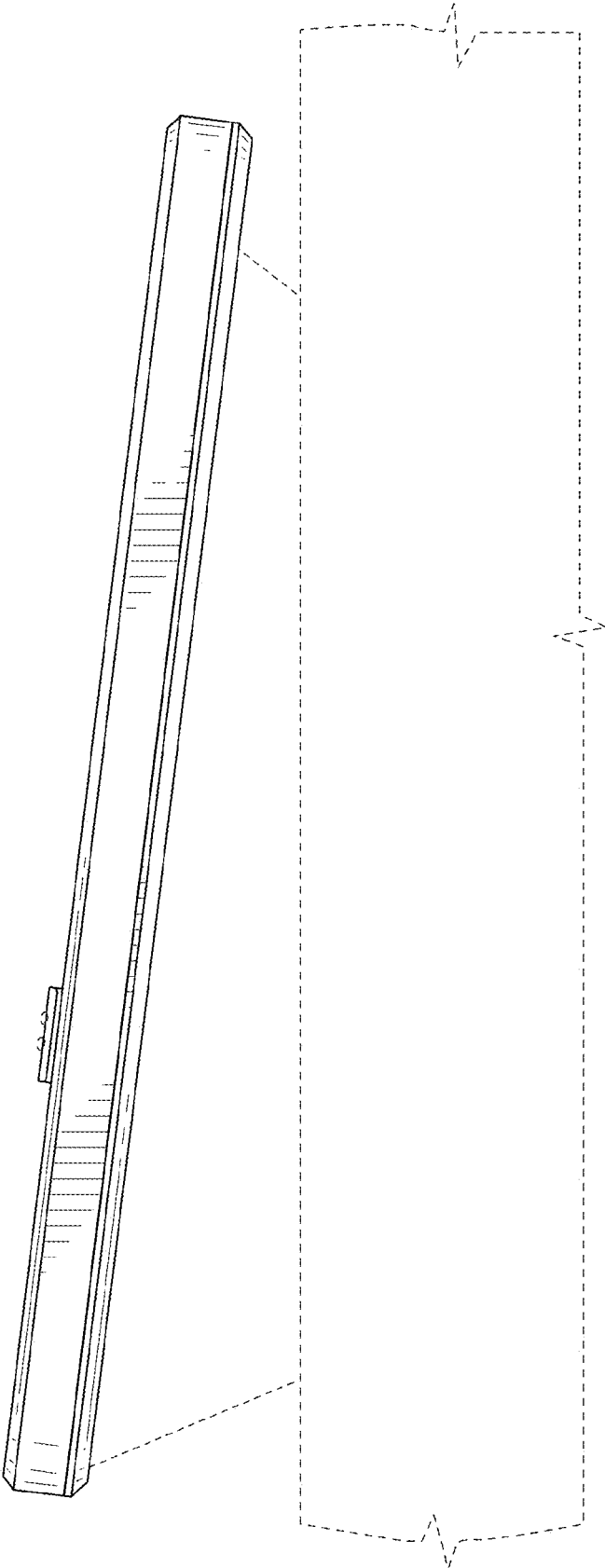


FIG. 9