



US00D466977S

(12) **United States Design Patent** (10) **Patent No.:** **US D466,977 S**
Cummings (45) **Date of Patent:** **** Dec. 10, 2002**

(54) **MIXING TAP**
(75) **Inventor:** **Stephen Cummings**, New South Wales (AU)
(73) **Assignee:** **Dorf Clark Industries Limited**, Brisbane (AU)
(**) **Term:** **14 Years**

D406,877 S * 3/1999 Esche et al. D23/243
D417,906 S * 12/1999 Mullenmeister D23/238
D420,430 S * 2/2000 Lobermeier D23/238

* cited by examiner

Primary Examiner—Louis S. Zarfes
Assistant Examiner—Gregory Andoll
(74) *Attorney, Agent, or Firm*—David P. Gordon; David S. Jacobson; Thomas A. Gallagher

(21) **Appl. No.:** **29/150,647**
(22) **Filed:** **Nov. 23, 2001**

(57) **CLAIM**

The ornamental design for a mixing tap, as shown and described.

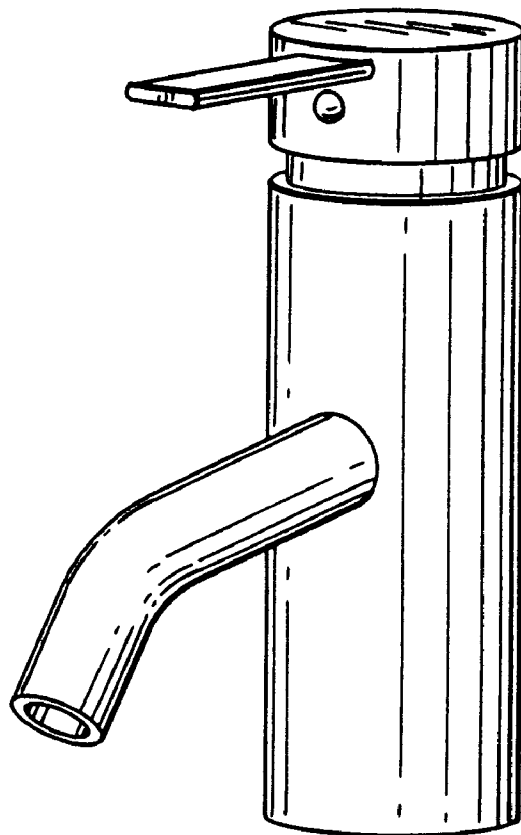
(30) **Foreign Application Priority Data**
May 23, 2001 (AU) 1657/2001
(51) **LOC (7) Cl.** **23-01**
(52) **U.S. Cl.** **D23/238**
(58) **Field of Search** D23/238–243,
D23/250–257; 4/675, 678; 137/801

DESCRIPTION

FIG. 1 is a perspective view of a mixing tap, showing my new design;
FIG. 2 is a top plan view thereof.
FIG. 3 is a bottom plan view thereof;
FIG. 4 is a front end elevational view thereof;
FIG. 5 is a rear end elevational view thereof;
FIG. 6 is a left side elevational view thereof; and,
FIG. 7 is a right side elevational view thereof.

(56) **References Cited**
U.S. PATENT DOCUMENTS
D363,763 S * 10/1995 Starck D23/243

1 Claim, 3 Drawing Sheets



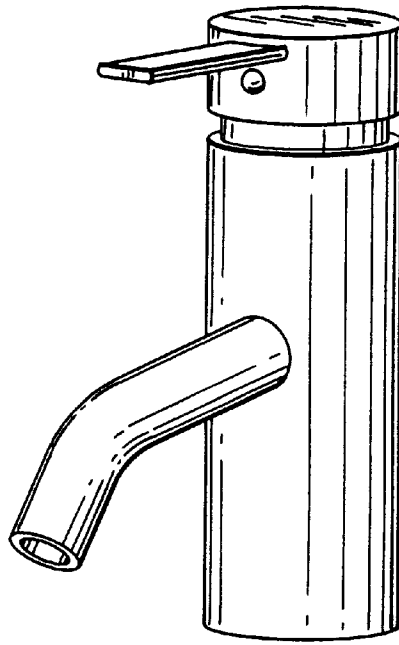


FIG. 1

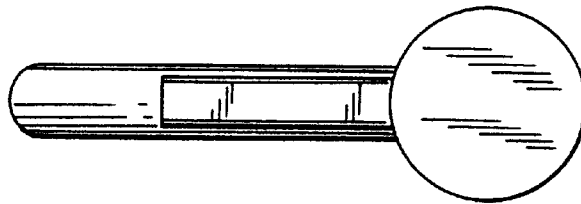


FIG. 2

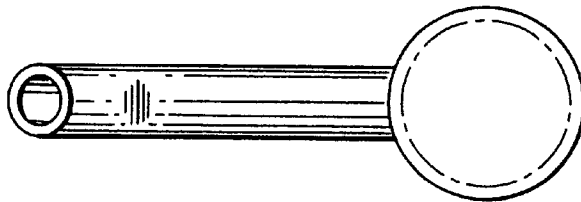


FIG. 3

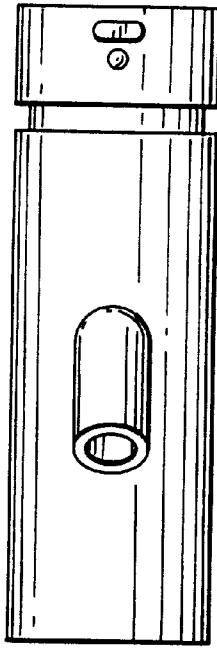


FIG. 4

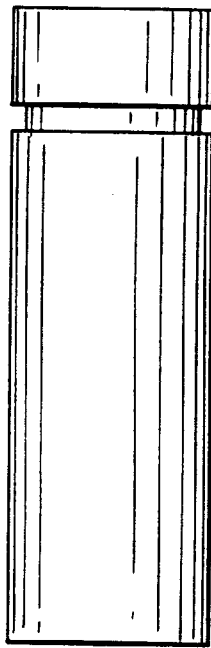


FIG. 5

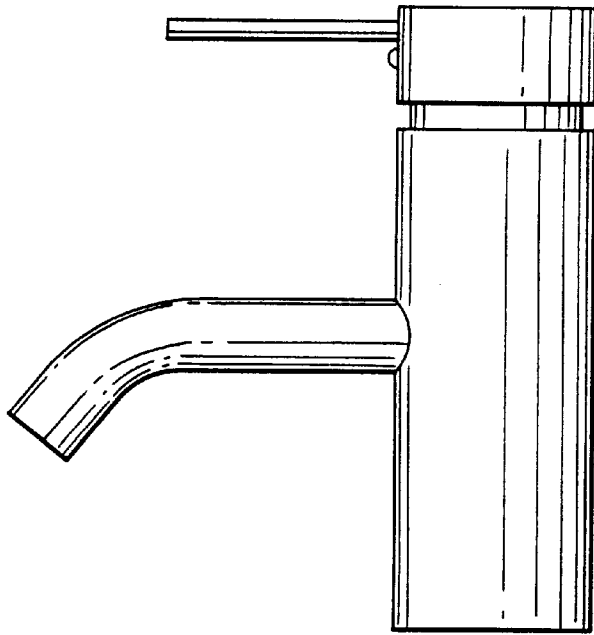


FIG. 6

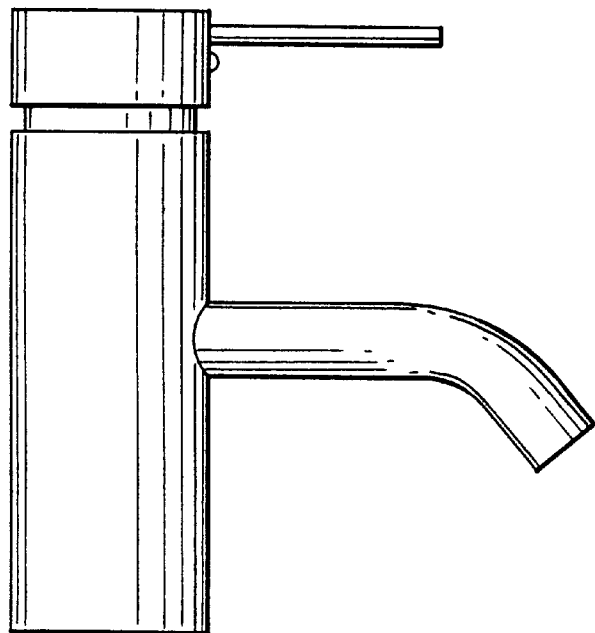


FIG. 7