



US00D821476S

(12) **United States Design Patent**
Martin et al.

(10) **Patent No.:** **US D821,476 S**

(45) **Date of Patent:** **** Jun. 26, 2018**

- (54) **PORTABLE VIDEO CAMERA**
- (71) Applicant: **OCU LIMITED**, East Grinstead (GB)
- (72) Inventors: **Hugo Martin**, Oxfordshire (GB);
Robert William Moore, Theale (GB);
Firas Kittaneh, Tempe, AZ (US)
- (73) Assignee: **OCU LIMITED**, East Grinstead (GB)

D438,880 S *	3/2001	Katayama	396/27
D621,432 S *	8/2010	Yim	D16/204
D635,119 S *	3/2011	Van Hees	D14/158
D647,554 S *	10/2011	Yim	D16/204
D657,808 S *	4/2012	Woodman	D16/200
D702,747 S *	4/2014	Woodman	D16/200
D710,921 S *	8/2014	Gioscia	D16/200
D772,322 S *	11/2016	Zhang	D16/200
D808,163 S *	1/2018	Song	D3/269

* cited by examiner

(**) Term: **15 Years**

Primary Examiner — Philip S Hyder

Assistant Examiner — Ramzi Almatrahi

(21) Appl. No.: **29/610,925**

(74) *Attorney, Agent, or Firm* — Weiss & Moy, P.C.;

Jeffrey D. Moy

(22) Filed: **Jul. 17, 2017**

(51) **LOC (11) Cl.** **16-01**

(52) **U.S. Cl.**
USPC **D16/202; D16/204**

(58) **Field of Classification Search**
USPC D3/267; D16/200, 202–204, 208, 211,
D16/218, 219, 242; 248/176.1, 187.1;
348/81, 373–376; 396/25, 27, 29, 419,
396/535, 539–541; 206/316.2
CPC G03B 15/03; G03B 17/02; G03B 17/04;
G03B 17/08; G03B 17/56; G03B 19/04;
H04N 5/2251; H04N 5/2252; H04N
5/2253; H04N 5/2254; A45C 11/38
See application file for complete search history.

(57) **CLAIM**

The ornamental design for a portable video camera, as shown and described.

DESCRIPTION

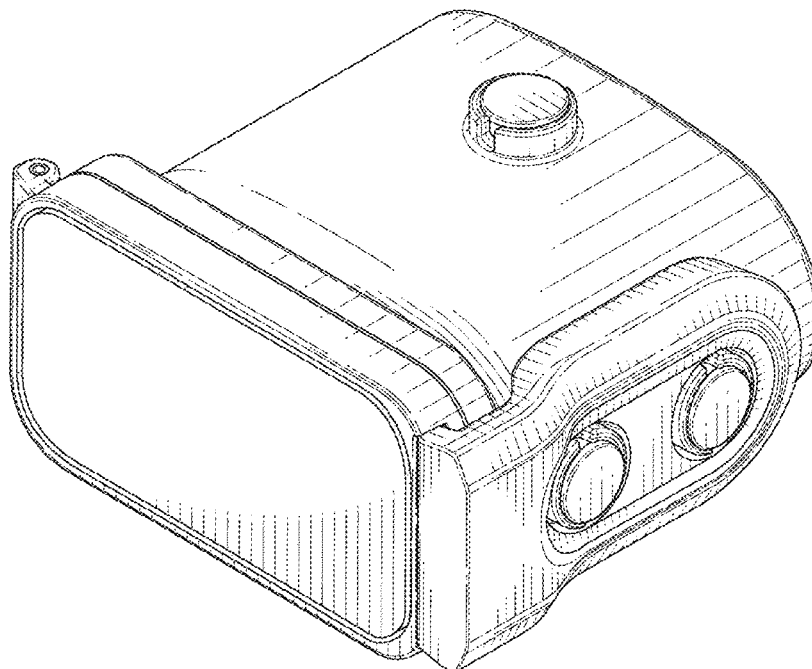
FIG. 1 is a front, right, top perspective view of a portable video camera showing our new design;
FIG. 2 is front view of the portable video camera;
FIG. 3 is a rear view of the portable video camera;
FIG. 4 is a left side view of the portable video camera;
FIG. 5 is a right side view of the portable video camera;
FIG. 6 is top view of the portable video camera; and,
FIG. 7 is a bottom view of the portable video camera.

(56) **References Cited**

U.S. PATENT DOCUMENTS

D334,397 S *	3/1993	Kohno	396/27
D419,296 S *	1/2000	Shinano	D16/204

1 Claim, 5 Drawing Sheets



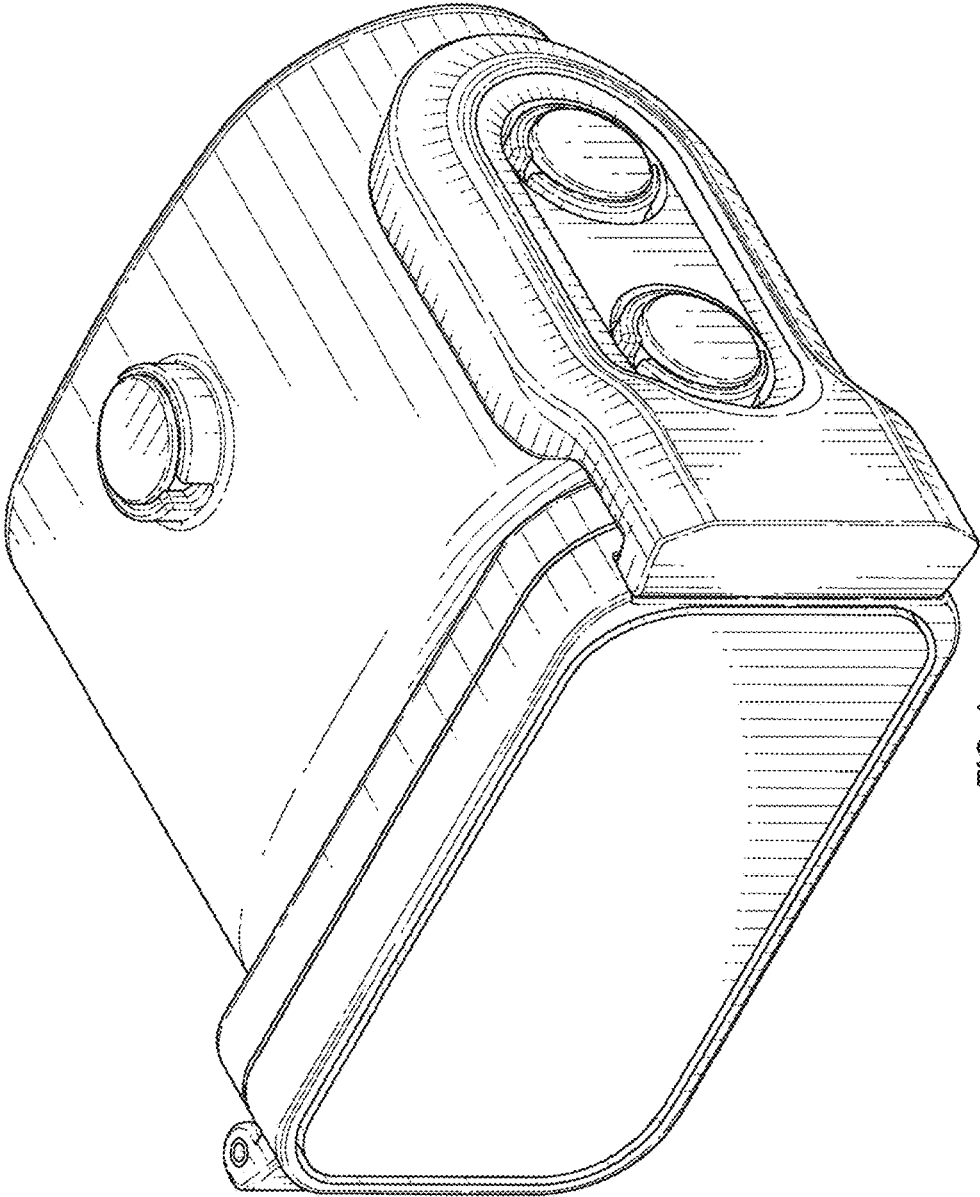


FIG. 1

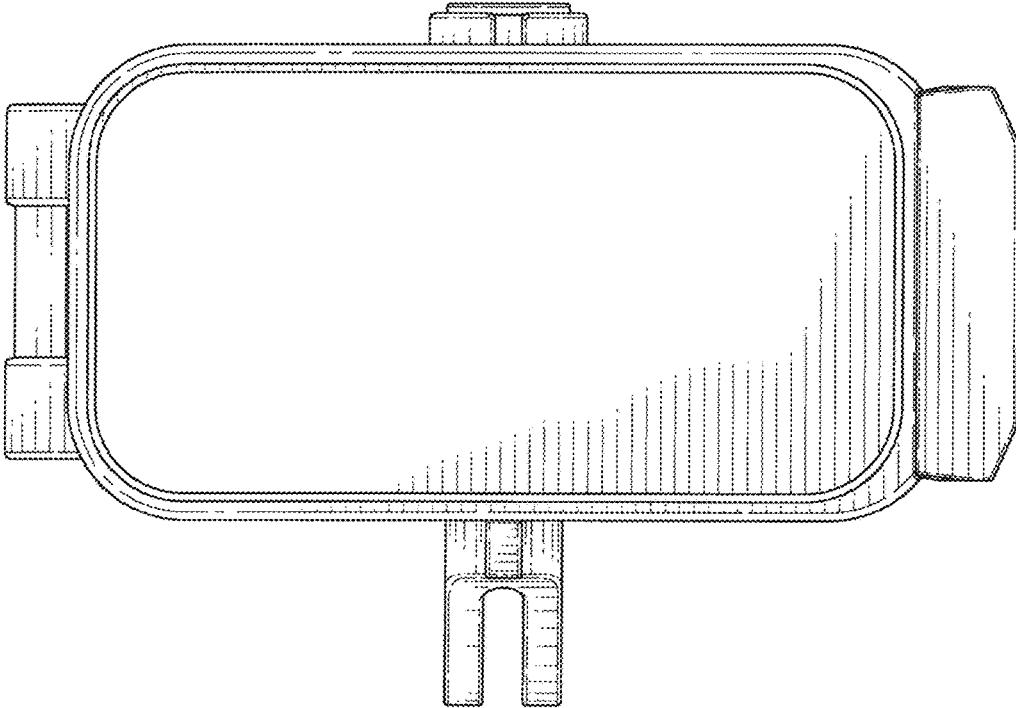


FIG. 2

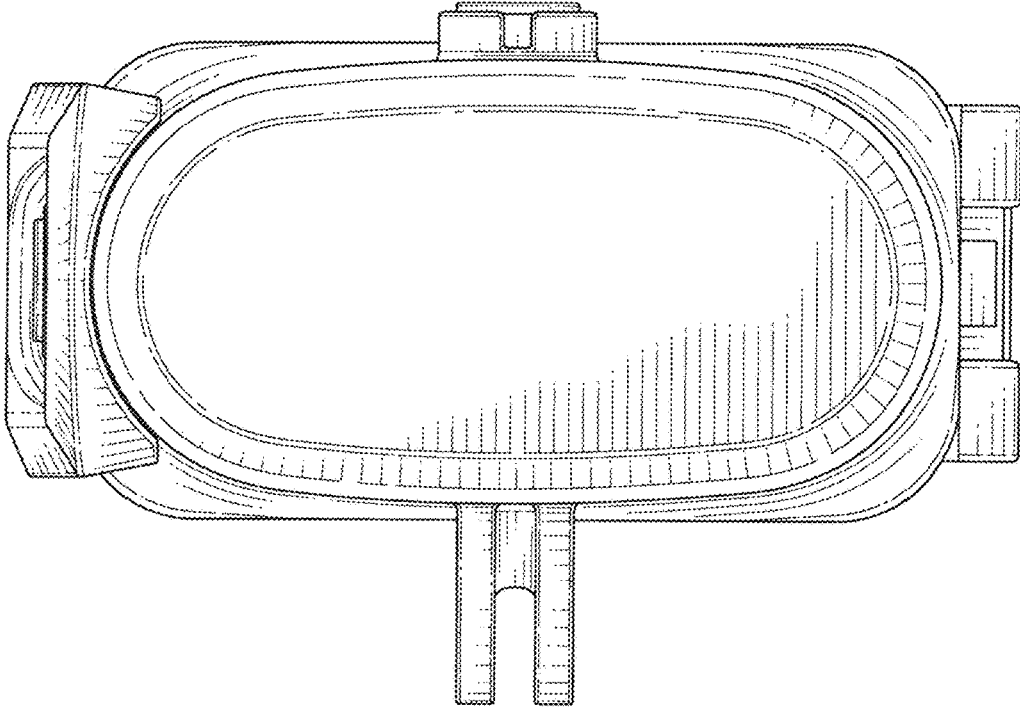


FIG. 3

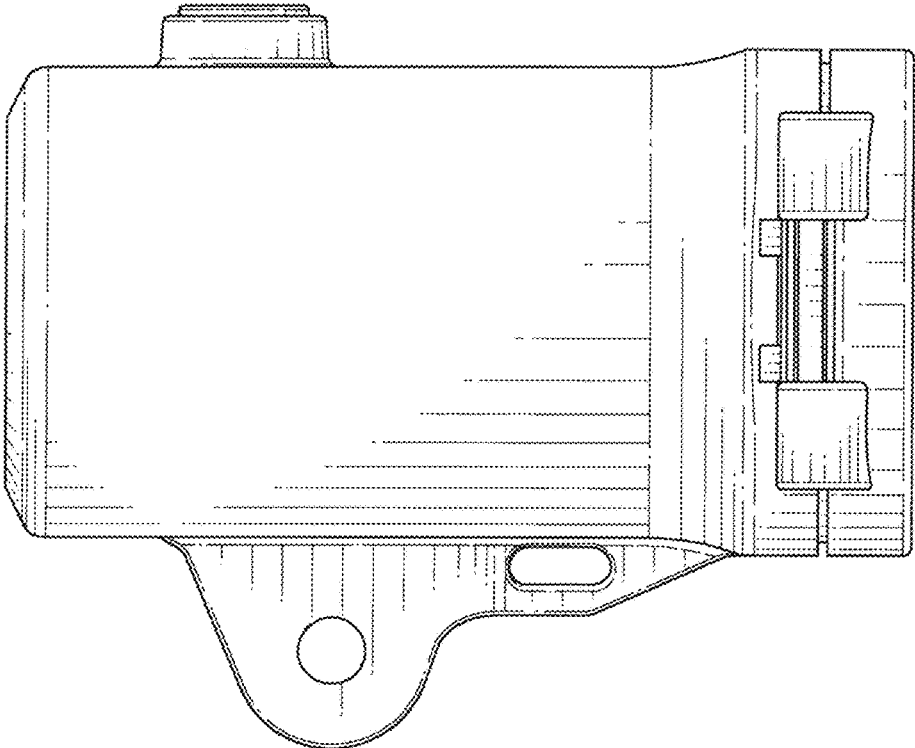


FIG. 4

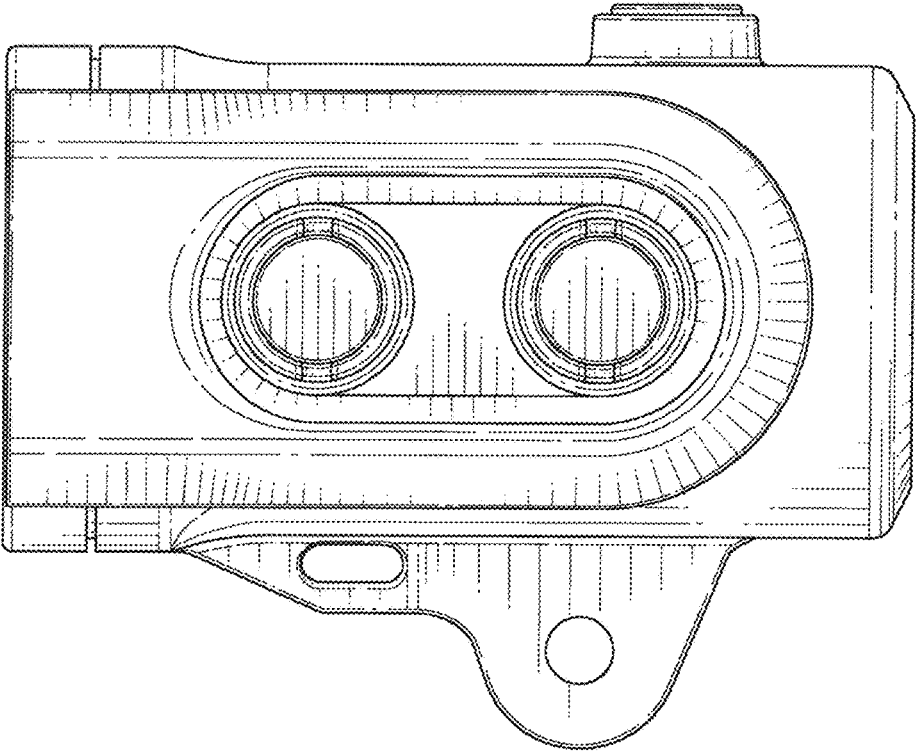


FIG. 5

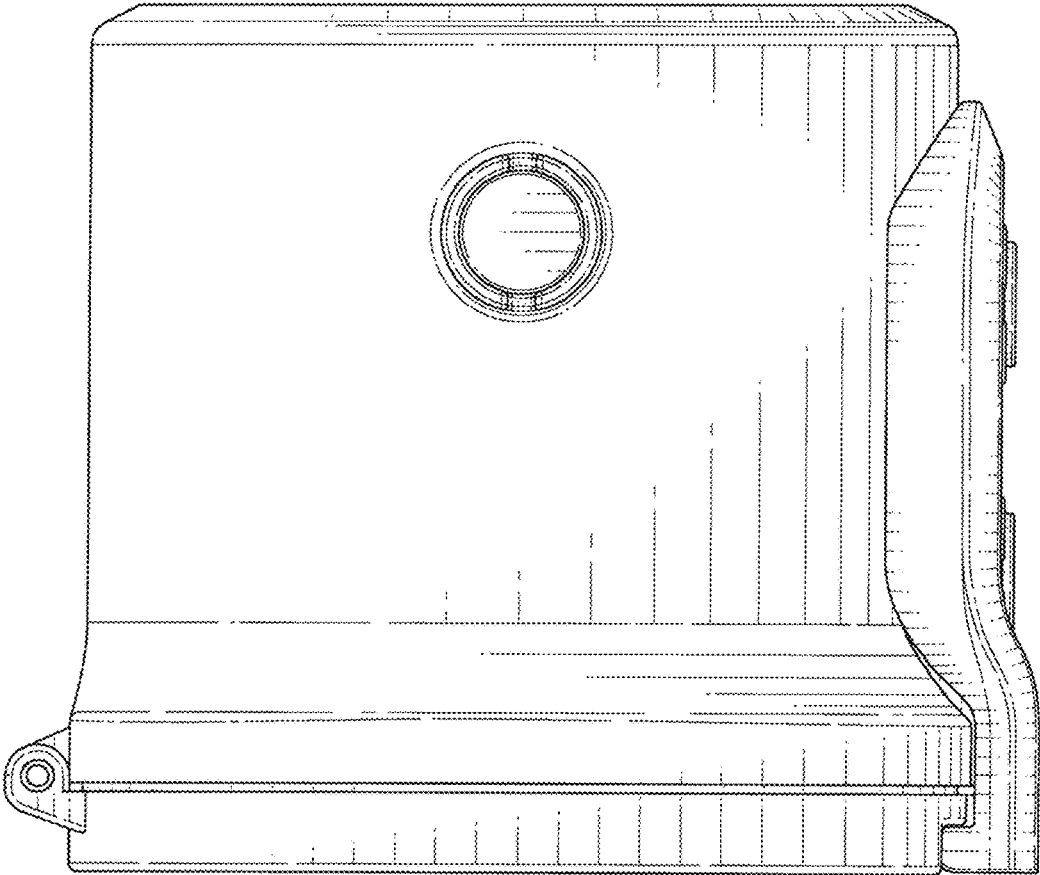


FIG. 6

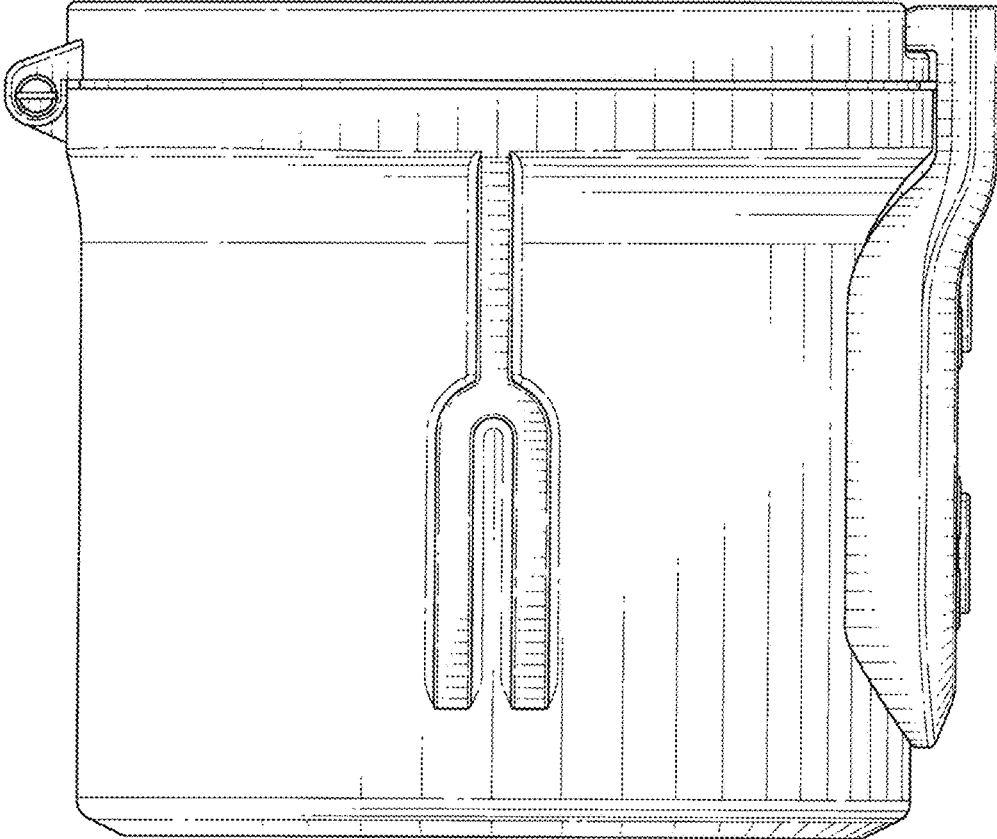


FIG. 7