



US00D455073S

(12) **United States Design Patent**
Mizrahi

(10) **Patent No.:** **US D455,073 S**

(45) **Date of Patent:** **** Apr. 2, 2002**

(54) **DISPLAY BOX FOR A MIRROR**

D422,497 S * 4/2000 Huntley D9/418
D427,524 S * 7/2000 Weisz D9/418

(75) **Inventor:** **David Mizrahi**, New York, NY (US)

* cited by examiner

(73) **Assignee:** **Fantasia Accessories Ltd.**, New York, NY (US)

Primary Examiner—Prabhakar Deshmukh
(74) *Attorney, Agent, or Firm*—Ezra Sutton

(**) **Term:** **14 Years**

(57) **CLAIM**

(21) **Appl. No.:** **29/136,161**

The ornamental design for a display box for a mirror, as shown and described.

(22) **Filed:** **Jan. 26, 2001**

DESCRIPTION

(51) **LOC (7) Cl.** **09-03**

(52) **U.S. Cl.** **D9/418; D9/432**

(58) **Field of Search** D9/418, 414, 415,
D9/432, 337; 206/769, 771, 775-780, 782,
316.1, 457, 823, 581; 229/162, 116.1; 224/919;
220/23.4, 23.6

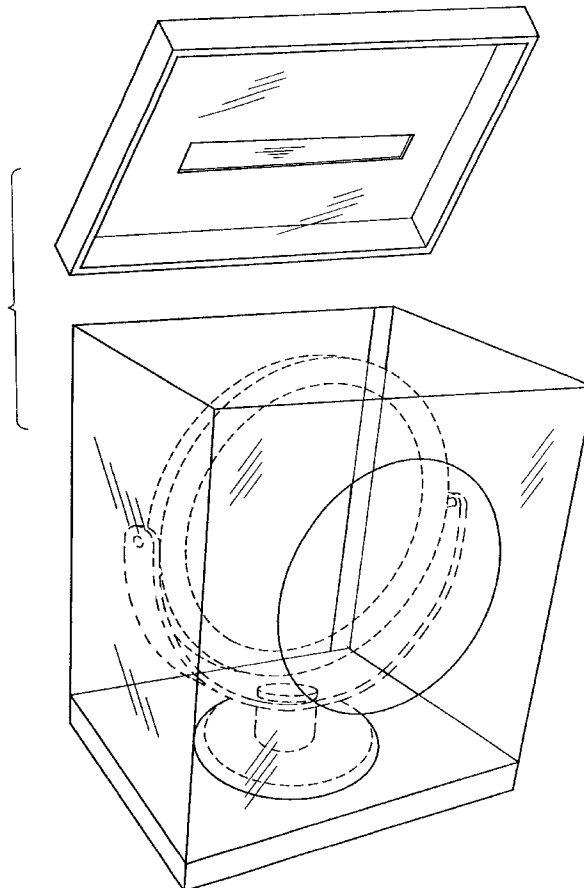
FIG. 1 is a front perspective view of a design box for a mirror embodying my new design;
FIG. 2 is a front view thereof;
FIG. 3 is a rear view thereof;
FIG. 4 is a side view thereof, the other side view being a mirror image thereof;
FIG. 5 is a top view thereof;
FIG. 6 is a bottom view thereof; and,
FIG. 7 is an exploded top perspective view of a display box for a mirror embodying my new design.
The broken line showing of a mirror in FIG. 7 is for illustrative purpose only and forms no part of the claimed design.

(56) **References Cited**

U.S. PATENT DOCUMENTS

3,322,263	A	*	5/1967	Gulliver	229/162
3,374,917	A	*	3/1968	Troy	220/23.4
3,406,814	A	*	10/1968	Gulliver	206/777
3,554,384	A	*	1/1971	DeNatale	220/23.6
D352,453	S	*	11/1994	Bacchetti et al.	D9/418
6,036,010	A	*	3/2000	Seyffert et al.	206/780

1 Claim, 4 Drawing Sheets



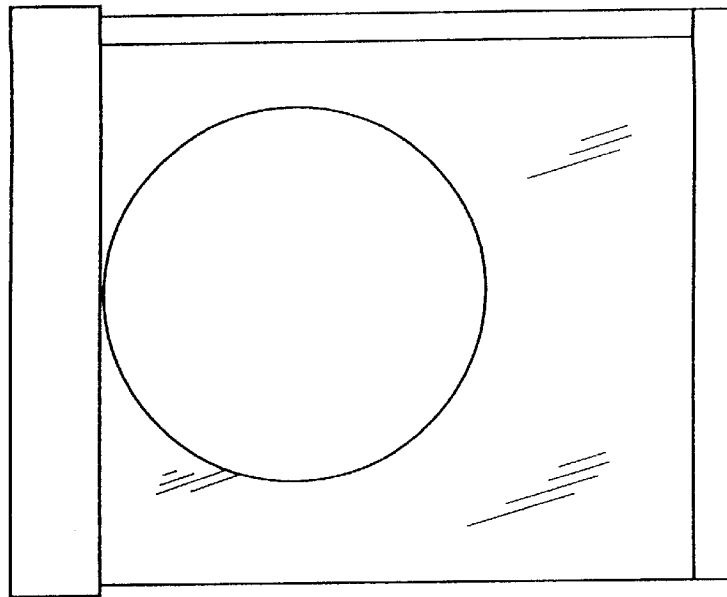


FIG. 2

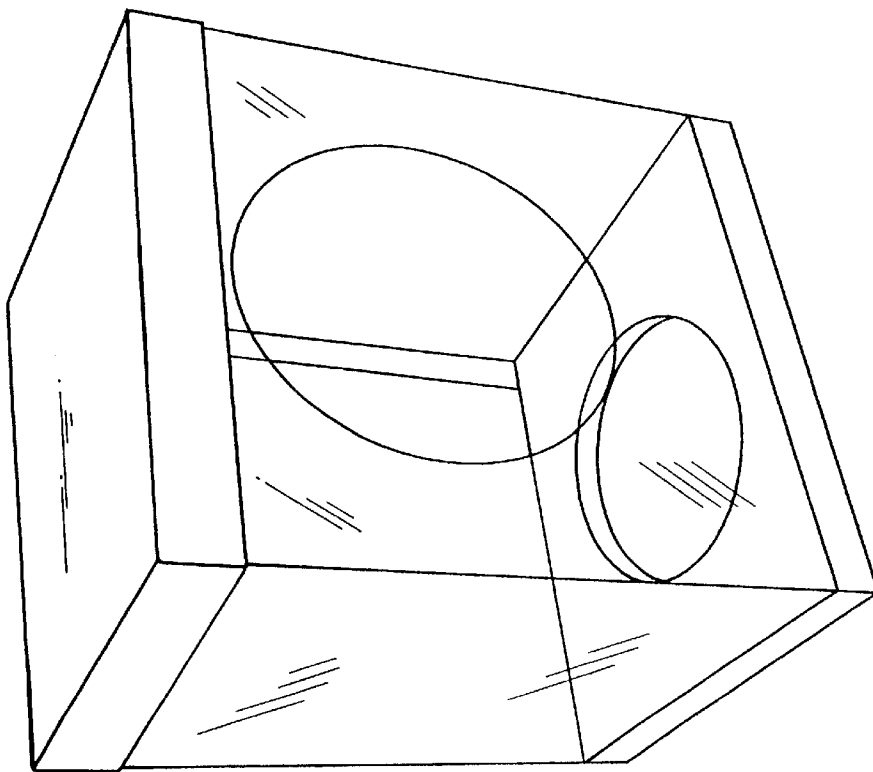


FIG. 1

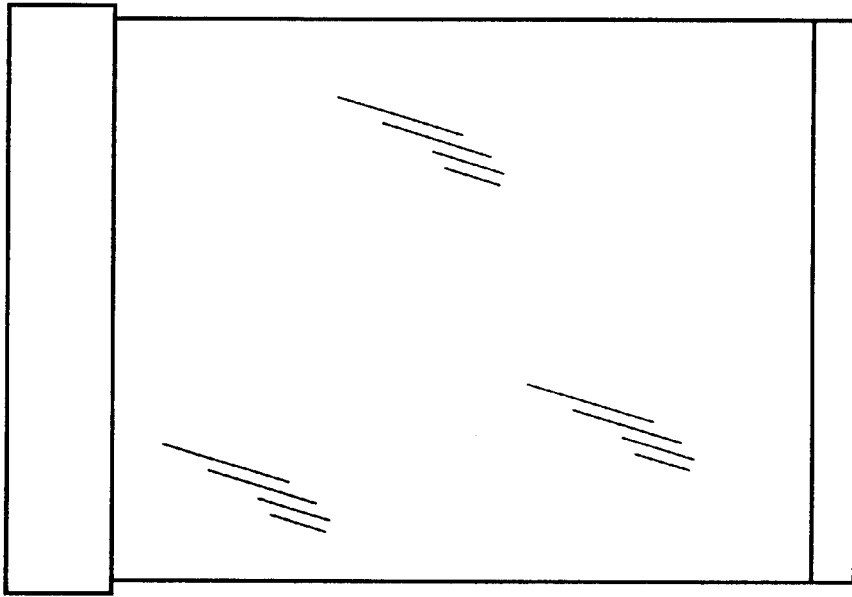


FIG. 3

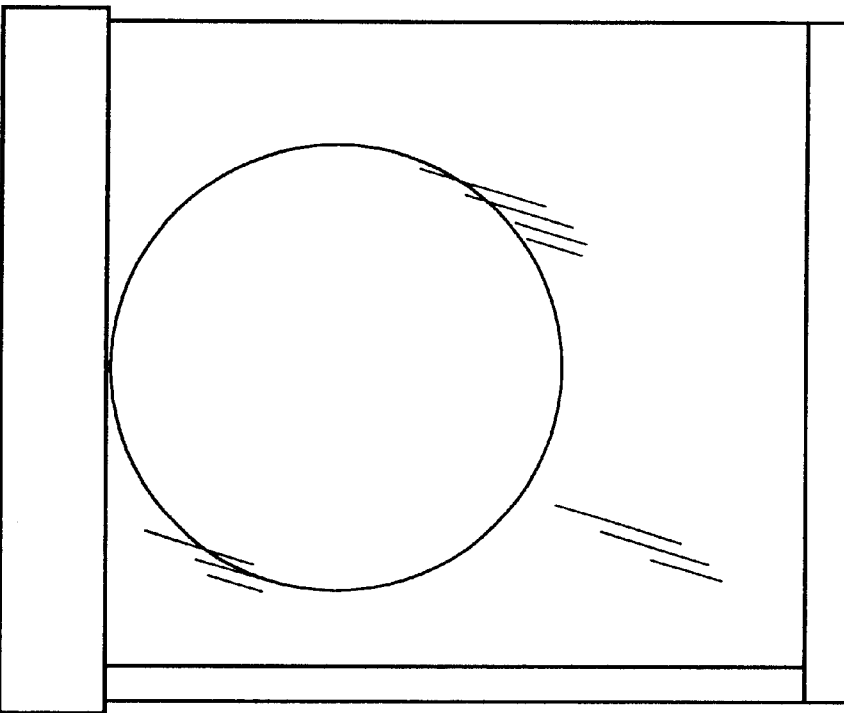


FIG. 4

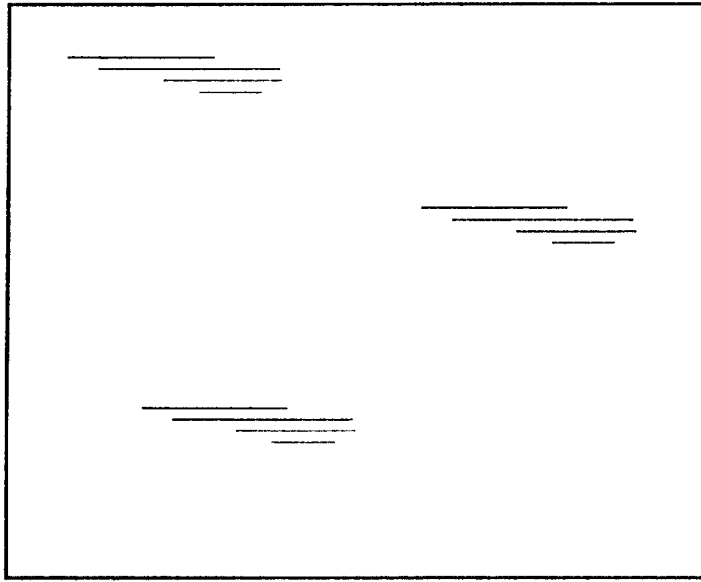


FIG. 5

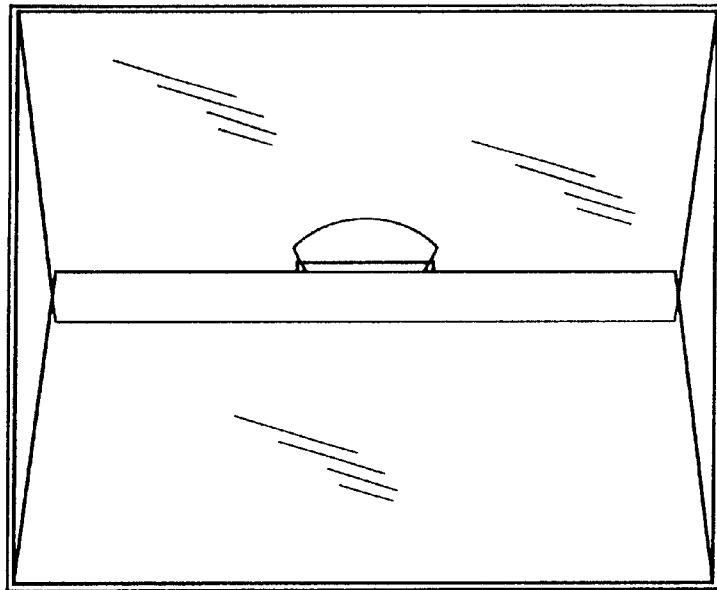


FIG. 6

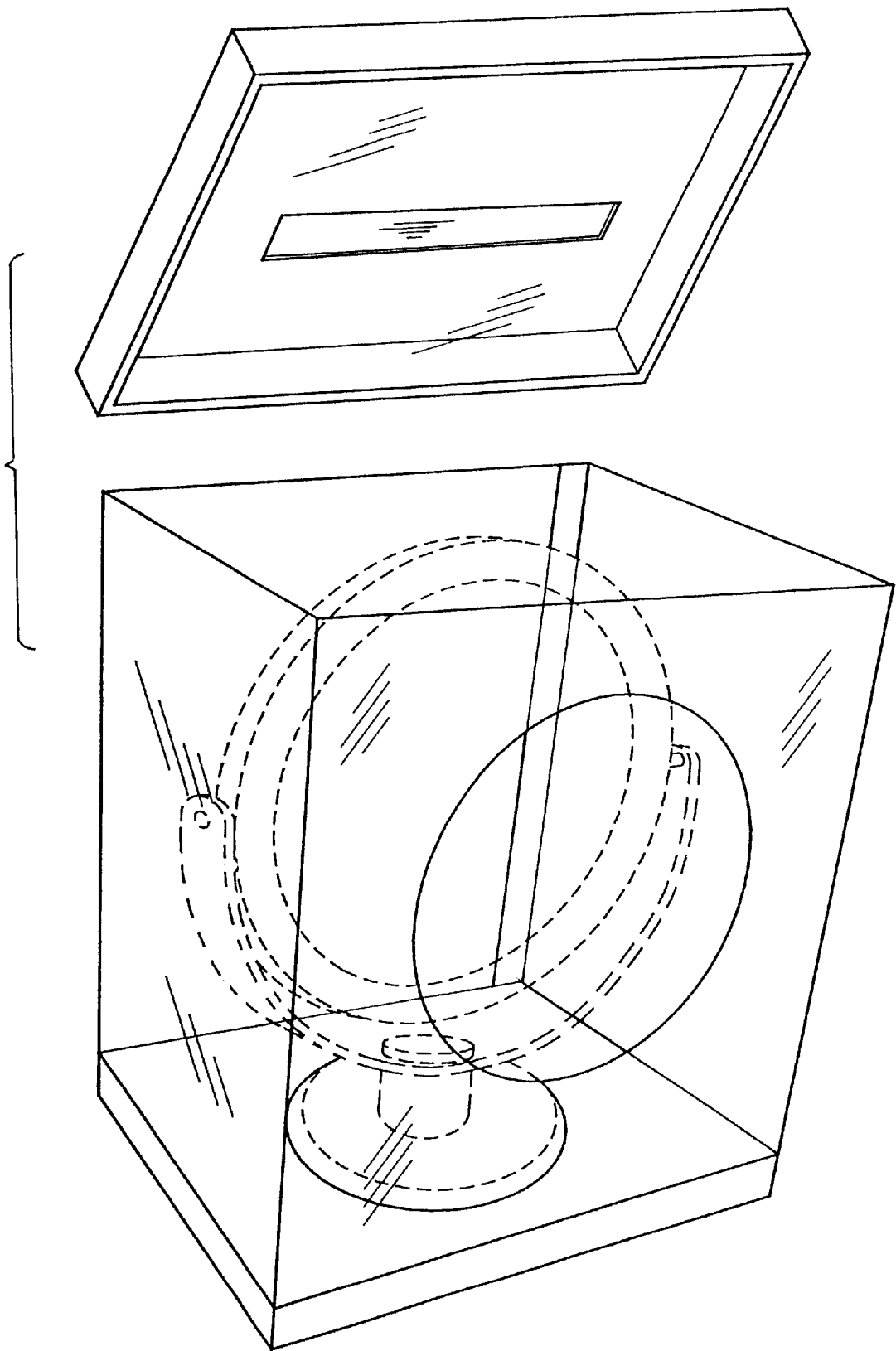


FIG. 7