



US00D863983S

(12) **United States Design Patent**  
**Fitz et al.**

(10) **Patent No.:** **US D863,983 S**

(45) **Date of Patent:** **\*\* Oct. 22, 2019**

(54) **BOTTLE FOR HOLDING A CRYSTAL**

(71) Applicant: **Ascention Beauty Co., LLC**, Roseland, NJ (US)

(72) Inventors: **Greta Fitz**, Roseland, NJ (US); **Jon Dinapoli**, New York, NY (US)

(73) Assignee: **Ascention Beauty Co., LLC**, Roseland, NJ (US)

(\*\*) Term: **15 Years**

(21) Appl. No.: **29/685,821**

(22) Filed: **Mar. 31, 2019**

(51) **LOC (12) Cl.** ..... **09-01**

(52) **U.S. Cl.**  
USPC ..... **D9/745**; D9/454; D9/503

(58) **Field of Classification Search**  
USPC ..... D9/434–435, 444–445, 454, 500,  
D9/503–504, 516, 530, 537, 539, 549,  
D9/558, 715, 719, 737, 741, 745;  
D19/93; D28/91.1

CPC ..... B65D 1/00; B65D 1/02; B65D 1/0261;  
B65D 1/04; B65D 1/06; B65D 2501/00;  
B65D 2501/0009

See application file for complete search history.

(56) **References Cited**

**U.S. PATENT DOCUMENTS**

- 279,216 A \* 6/1883 Berlien ..... B65D 1/04  
215/6
- D181,056 S \* 9/1957 Jenkins ..... D9/504

- D237,926 S \* 12/1975 Katzander ..... D6/529
- D414,811 S \* 10/1999 Base ..... D9/503
- D633,803 S \* 3/2011 Murphy ..... D9/516
- D711,180 S \* 8/2014 Villa ..... D7/300.1
- D728,382 S \* 5/2015 Goswell ..... D9/504
- D778,733 S \* 2/2017 Eberlein ..... D9/504
- D820,043 S \* 6/2018 Leslie-Shattenkirk ..... D7/507
- D822,500 S \* 7/2018 Vargas-Folch ..... D9/682
- D829,053 S \* 9/2018 Leslie-Shattenkirk ..... D7/507

\* cited by examiner

*Primary Examiner* — Dana Meyrow

(74) *Attorney, Agent, or Firm* — Sideman and Bancroft LLC; Guy W. Chambers

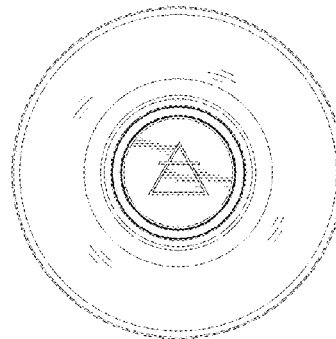
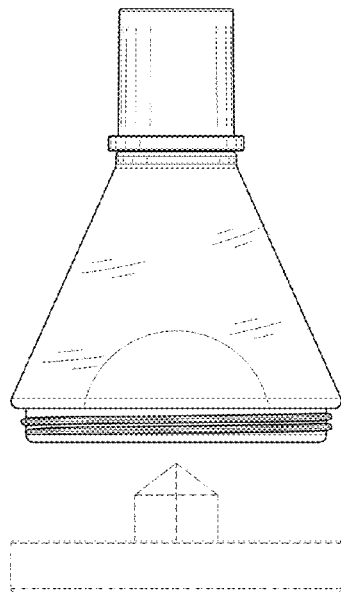
(57) **CLAIM**

The ornamental design for a bottle for holding a crystal, as shown and described.

**DESCRIPTION**

FIG. 1 is a perspective view of a bottle for holding a crystal in accordance with my design;  
 FIG. 2 is a lower perspective view thereof;  
 FIG. 3 is an exploded perspective view thereof;  
 FIG. 4 is a left side view thereof;  
 FIG. 5 is a right side view thereof;  
 FIG. 6 is an exploded side view thereof;  
 FIG. 7 is a top plan view thereof; and,  
 FIG. 8 is a bottom plan view thereof.  
 The broken lines in the drawings illustrate the portions of the perfume bottle that form no part of the claim.

**1 Claim, 8 Drawing Sheets**



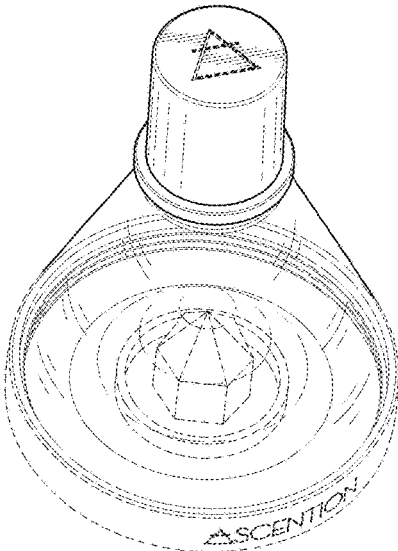


FIG. 1

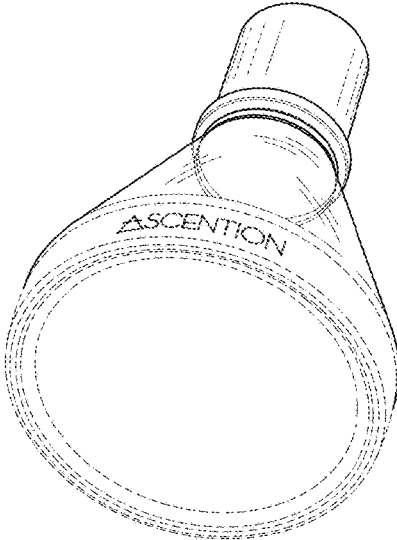


FIG. 2

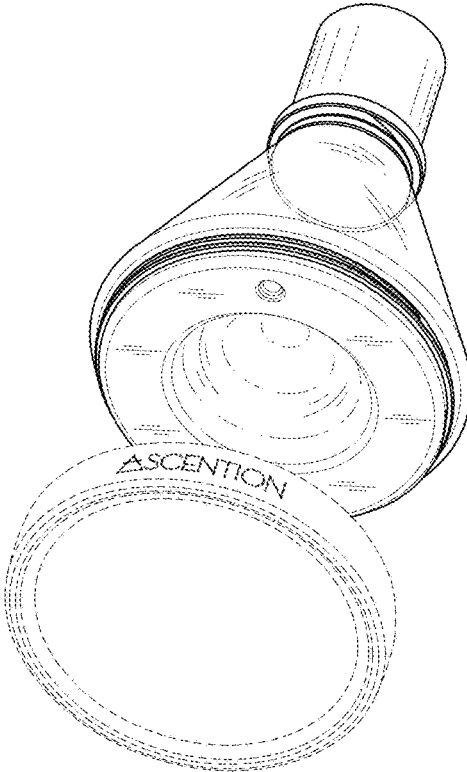


FIG. 3

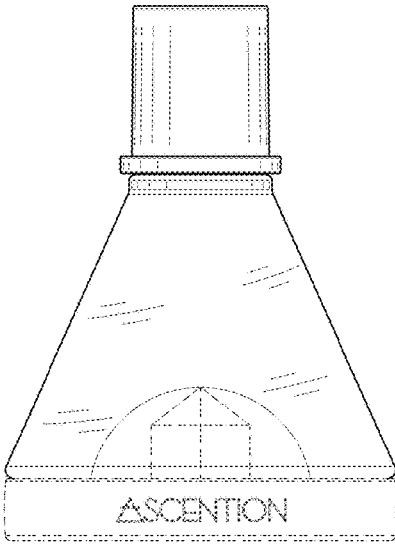


FIG. 4

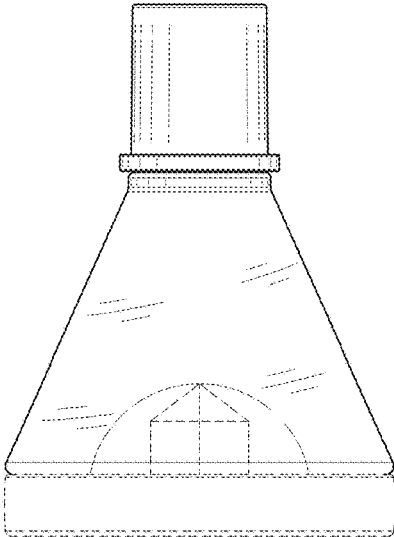


FIG. 5

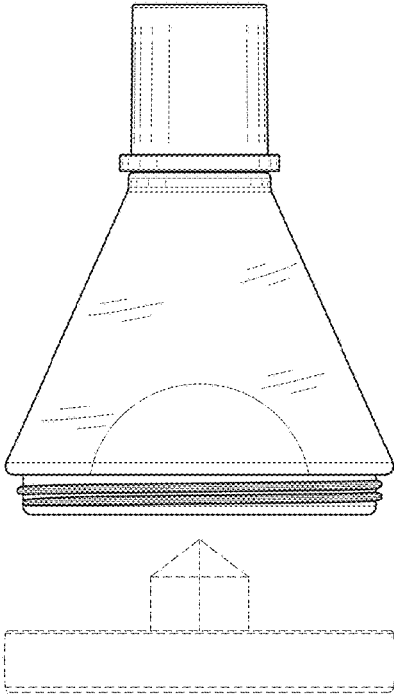


FIG. 6

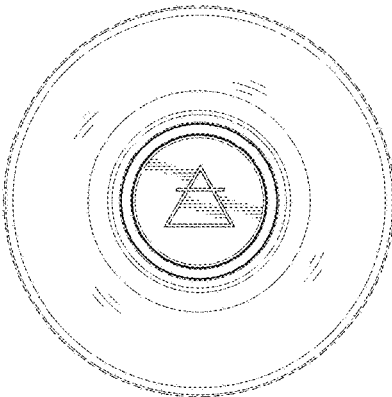


FIG. 7



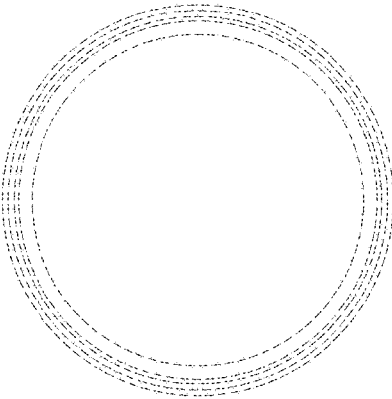


FIG. 8