



US00D475604S

(12) **United States Design Patent** (10) **Patent No.:** **US D475,604 S**
Kelleghan (45) **Date of Patent:** **** Jun. 10, 2003**

(54) **PINWHEEL SHAPED CARABINER**

OTHER PUBLICATIONS

(75) Inventor: **Brian James Kelleghan**, Longmont, CO (US)
(73) Assignee: **Bison Designs, L.L.C.**, Longmont, CO (US)
(**) Term: **14 Years**
(21) Appl. No.: **29/165,098**
(22) Filed: **Aug. 5, 2002**

Clarence P. Hornung, Handbook of Designs and Devices, 1946, Dover, Tri-radial Variant, #541, p. 61.*
U.S. patent application Ser. No. 29/158,798, Brian James Kelleghan, filed Apr. 1, 2002.
U.S. patent application Ser. No. 29/158,806, Brian James Kelleghan, filed Apr. 1, 2002
U.S. patent application Ser. No. 29/154,974, Brian James Kelleghan, filed Feb. 1, 2002.
U.S. patent application Ser. No. 29/156,709, Brian James Kelleghan, filed Mar. 5, 2003.
U.S. patent application Ser. No. 29/128,297, Brian James Kelleghan, filed Oct. 23, 2000.

(51) **LOC (7) Cl.** **08-05**
(52) **U.S. Cl.** **D8/356**
(58) **Field of Search** D1/104, 126; D8/333, D8/356, 367, 370, 383; D11/133, 157, 200, 211; 24/583.1, 587.1, 588.1, 594.11, 598.1, 598.3, 598.4, 599.1, 599.2, 599.5, 599.6, 599.7, 599.8, 600.1, 600.3, 600.9, 601.5, 588.11, 598.02, 599.9; 248/231.9, 231.91, 925; 294/82.17, 82.19, 82.2; 428/7, 13, 28

* cited by examiner

Primary Examiner—Robert M. Spear
Assistant Examiner—Elizabeth A. Albert
(74) *Attorney, Agent, or Firm*—Rick Martin; Patent Law Offices of Rick Martin, P.C.

(56) **References Cited**

U.S. PATENT DOCUMENTS

997,630 A	7/1911	Lozenski	
D55,819 S	7/1920	Roebuck	
D344,012 S	* 2/1994	Aoki	D8/356
5,329,675 A	7/1994	McLean et al.	
5,463,798 A	11/1995	Wurzer	
D441,638 S	5/2001	Kelleghan	
D447,933 S	9/2001	Kelleghan	
D448,276 S	9/2001	Kelleghan	
D454,054 S	3/2002	Kelleghan	
D456,693 S	5/2002	Kelleghan	
D462,891 S	9/2002	Kelleghan	

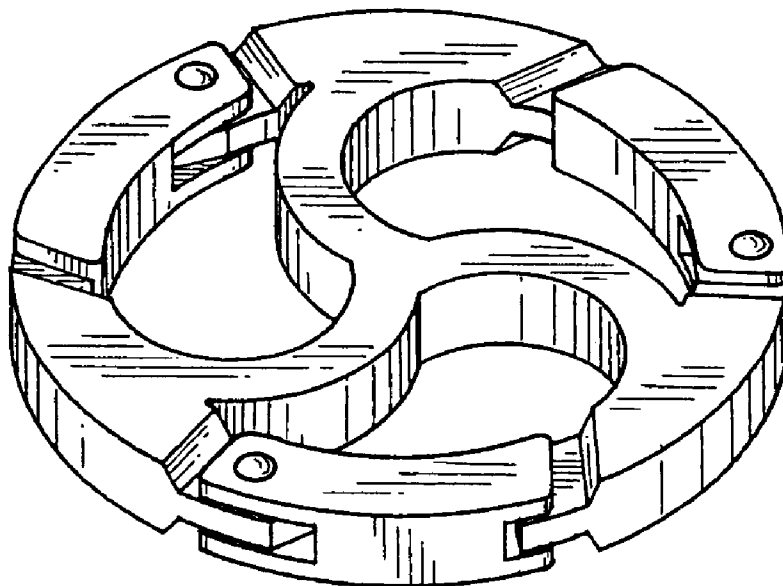
(57) **CLAIM**

The ornamental design for a pinwheel shaped carabiner, as shown and described.

DESCRIPTION

FIG. 1 is a top plan view of my new design for a pinwheel shaped carabiner, the bottom plan view being a mirror image thereof;
FIG. 2 is a front side elevation view of FIG. 1.
FIG. 3 is a rear side elevation view of FIG. 1.
FIG. 4 is a right side elevation view of FIG. 1.
FIG. 5 is a left side elevation view of FIG. 1; and,
FIG. 6 is a top perspective view of FIG. 1.

1 Claim, 1 Drawing Sheet



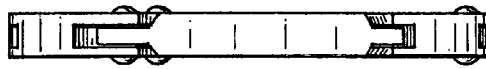


FIG. 4



FIG. 2

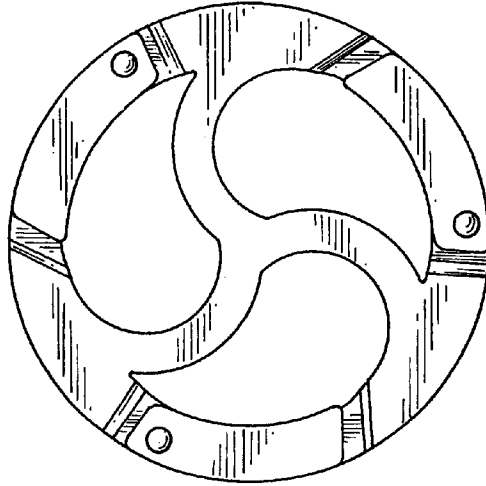


FIG. 1



FIG. 3

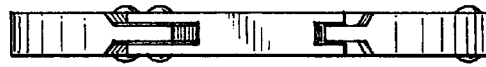


FIG. 5

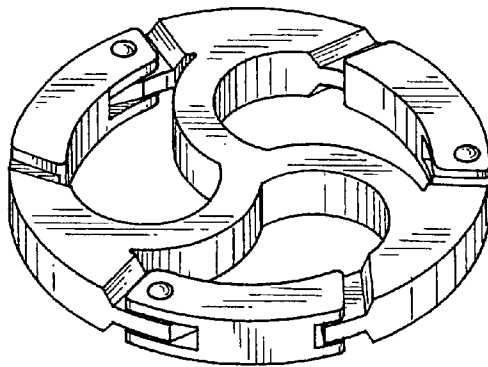


FIG. 6