



US00D362701S

United States Patent [19]
Reilly

[11] **Patent Number:** **Des. 362,701**
[45] **Date of Patent:** ****Sep. 26, 1995**

[54] **FINGER WEIGHT**
[76] Inventor: **Peter C. Reilly**, Three Hanover Square,
New York, N.Y. 10004
[**] Term: **14 Years**
[21] Appl. No.: **28,454**
[22] Filed: **Sep. 15, 1994**
[52] U.S. Cl. **D21/196**
[58] **Field of Search** **D21/191, 197,**
D21/198, 196; 482/105, 44; D24/196; D11/189,
190; 2/161, 162, 163, 181, 338, DIG. 11

5,144,694 9/1992 Conrad Da oud et al. 2/311

Primary Examiner—Ted Shooman
Assistant Examiner—Philip Hyder
Attorney, Agent, or Firm—Charles E. Baxley

[57] **CLAIM**

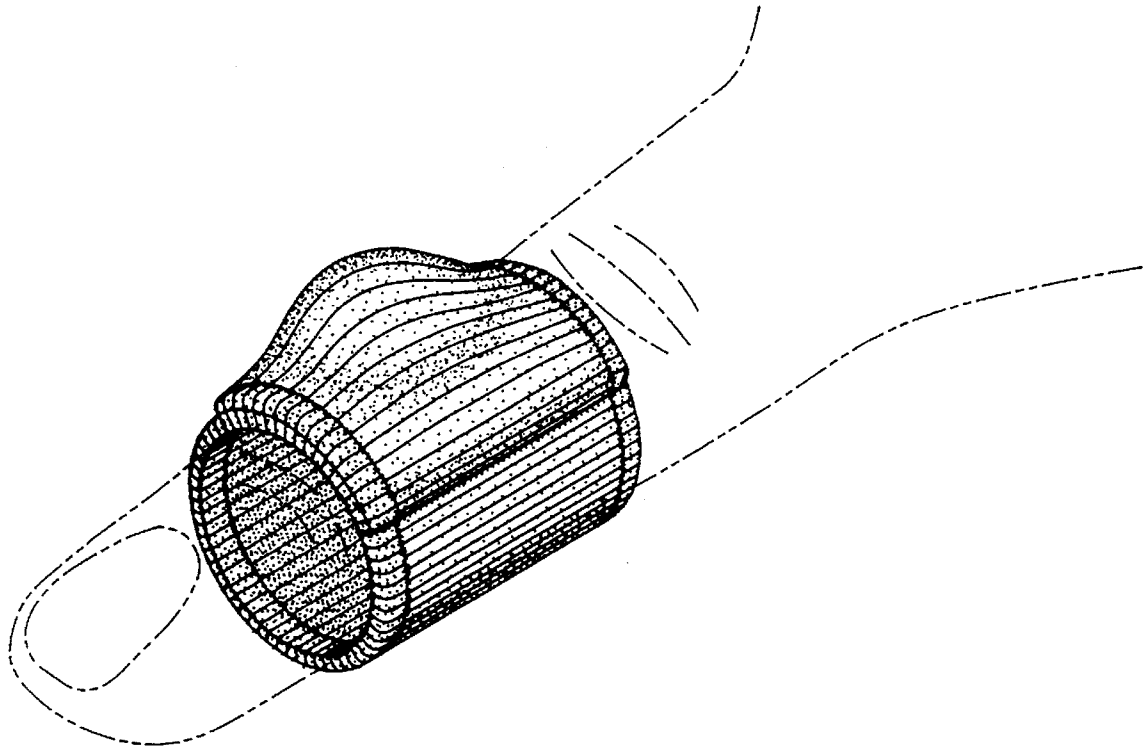
The ornamental design for finger weight, as shown and described.

DESCRIPTION

FIG. 1 is a perspective elevational view of a finger weight according to my design;
FIG. 2 is a front elevational view thereof, the rear end elevational view thereof being a mirror image of FIG. 2;
FIG. 3 is a right elevational view thereof, the left elevational view thereof being a mirror image of FIG. 3;
FIG. 4 is a top plan view thereof; and,
FIG. 5 is a bottom plan view thereof.
The broken line showing of a finger in FIG. 1 is for illustrative purposes only and forms no part of the claimed design.

[56] **References Cited**
U.S. PATENT DOCUMENTS
19,814 3/1858 Monestier 482/48
D. 287,525 12/1986 Durward D21/196
D. 287,640 1/1987 Primiano D24/190
D. 335,938 5/1993 Kam D24/190
D. 342,039 12/1993 Ambar D11/26
4,517,685 5/1985 Lesley 2/DIG. 11
4,675,915 6/1987 Siciliano 2/181
5,058,885 10/1991 Brant 482/48

1 Claim, 1 Drawing Sheet



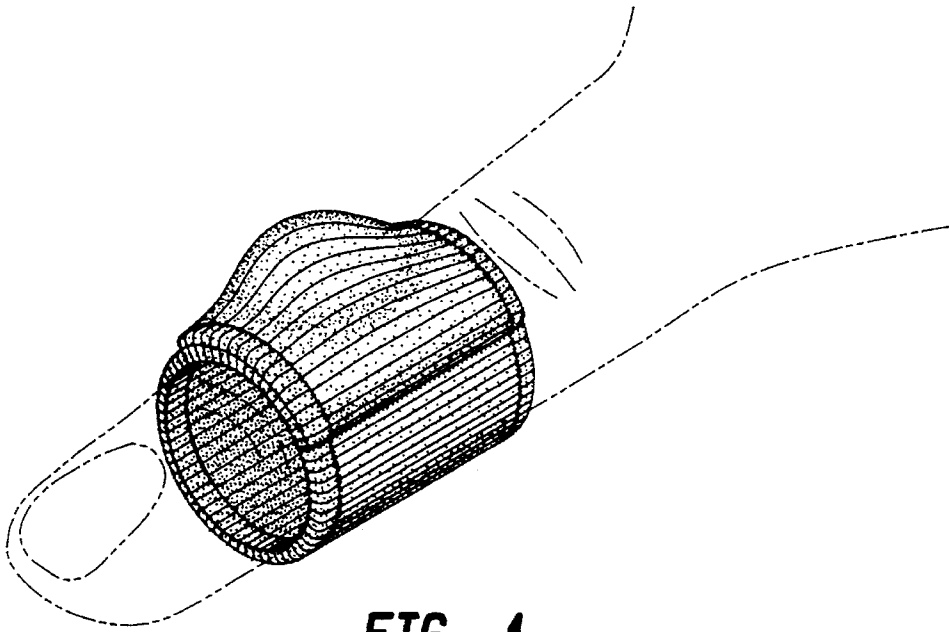


FIG. 1

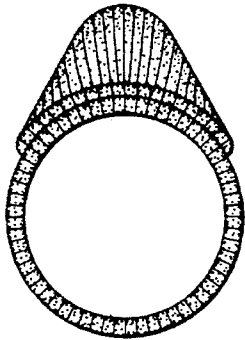


FIG. 2

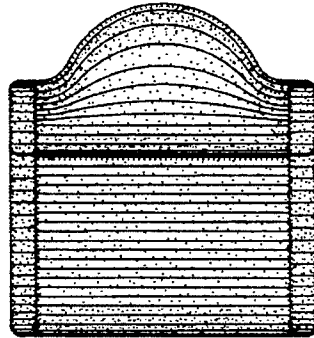


FIG. 3

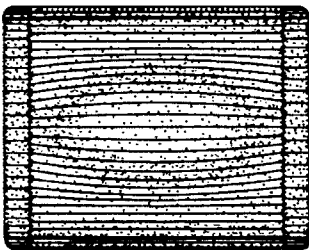


FIG. 4

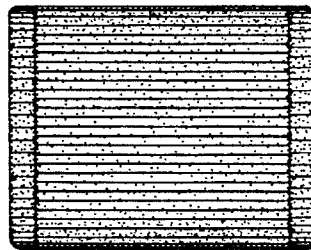


FIG. 5