



US00D835070S

(12) **United States Design Patent**  
**DePasquale**

(10) **Patent No.:** **US D835,070 S**

(45) **Date of Patent:** **\*\* Dec. 4, 2018**

(54) **AUDIO UNIT**

(71) Applicant: **Tivoli Audio, Inc.**, Boston, MA (US)

(72) Inventor: **Paul DePasquale**, Boston, MA (US)

(73) Assignee: **Tivoli Audio, Inc.**, Boston, MA (US)

(\*\*) Term: **15 Years**

(21) Appl. No.: **29/591,140**

(22) Filed: **Jan. 17, 2017**

(51) **LOC (11) Cl.** ..... **14-01**

(52) **U.S. Cl.**

USPC ..... **D14/216; D14/215**

(58) **Field of Classification Search**

USPC ..... D14/168, 188, 194, 195, 196, 204, 210,  
D14/211, 212, 213, 214, 215, 216, 197,  
D14/198

CPC ..... B60R 11/0217; G06F 1/1688; G10K 9/22;  
G10K 11/004; H03F 1/327; H04M 1/03;  
H04M 1/035; H04N 5/642; H04N  
21/4852; H04S 3/00; H04S 7/30; H04R  
1/02; H04R 1/06; H04R 1/021; H04R  
1/025; H04R 1/026; H04R 1/028; H04R  
1/105; H04R 1/323; H04R 1/403; H04R  
1/2803; H04R 1/2834; H04R 5/02; H04R  
7/20; H04R 9/06; H04R 9/025; H04R  
2201/021; H04R 2400/00; H04R 2400/07;  
H04R 2499/11; H04R 2499/13; H04R  
2499/15

See application file for complete search history.

(56) **References Cited**

**U.S. PATENT DOCUMENTS**

D77,629 S \* 1/1929 Temple ..... D14/215  
D96,140 S \* 7/1935 Shenker ..... 455/350  
D106,473 S \* 10/1937 Silver ..... D14/198  
D215,675 S \* 10/1969 Yran ..... D13/114  
D215,853 S \* 11/1969 La Zar ..... D14/212  
D216,374 S \* 12/1969 Yran ..... D13/108

D258,068 S \* 1/1981 Ostrom ..... D14/197  
4,361,250 A \* 11/1982 Foster ..... B65D 47/0847  
220/254.3  
D291,536 S \* 8/1987 Crawford ..... D9/440  
D302,818 S \* 8/1989 Camens ..... D14/216  
5,148,490 A \* 9/1992 Draffen ..... B60R 11/0217  
381/302  
D362,442 S \* 9/1995 Goldfarb ..... D14/215  
D369,806 S \* 5/1996 Ichikawa ..... D14/172  
RE37,634 E \* 4/2002 Hickman ..... B65D 47/0847  
215/235  
D512,406 S \* 12/2005 Shimizu ..... D14/167  
D550,204 S \* 9/2007 Kaneda ..... D14/216  
D577,357 S \* 9/2008 Poandl ..... D14/216  
D582,271 S \* 12/2008 Vogel ..... D9/447

(Continued)

**OTHER PUBLICATIONS**

YouTube—Tivoli Audio Cube and Orb spk, announced Sep. 1, 2017 [online], [site visited Dec. 20, 2017]. Available from internet, URL: <[https://www.youtube.com/watch?v=EXsNi\\_kpAhY](https://www.youtube.com/watch?v=EXsNi_kpAhY)>.\*

*Primary Examiner* — Keli L Hill

*Assistant Examiner* — Karra S Johnson

(74) *Attorney, Agent, or Firm* — Chapin IP Law, LLC

(57) **CLAIM**

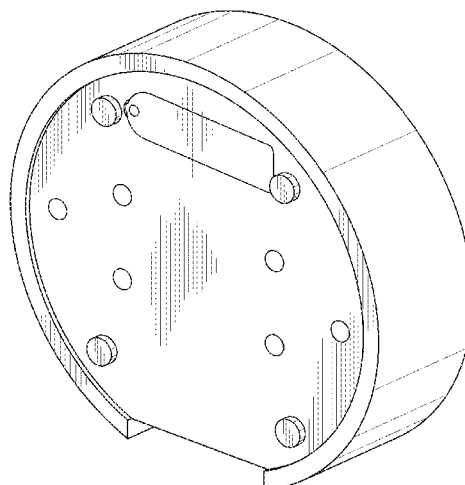
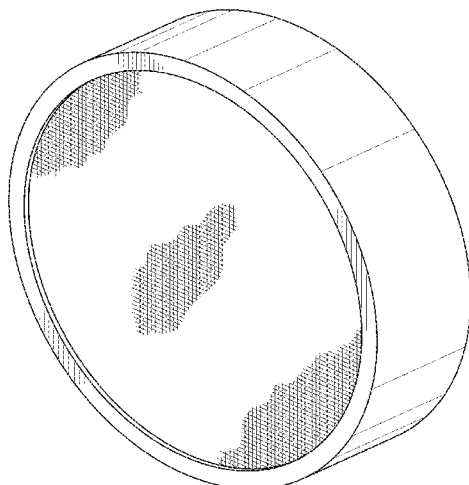
The ornamental design for an audio unit, as shown and described.

**DESCRIPTION**

FIG. 1 is a top perspective view of the audio unit;  
FIG. 2 is a bottom perspective view of the audio unit;  
FIG. 3 is a top view of the audio unit;  
FIG. 4 is a bottom view of the audio unit;  
FIG. 5 is a front elevation of the audio unit;  
FIG. 6 is a rear elevation of the audio unit; and,  
FIG. 7 is a side elevation of the audio unit.

The broken lines shown are included for the purpose of illustrating portions of the audio unit that form no part of the claim.

**1 Claim, 6 Drawing Sheets**



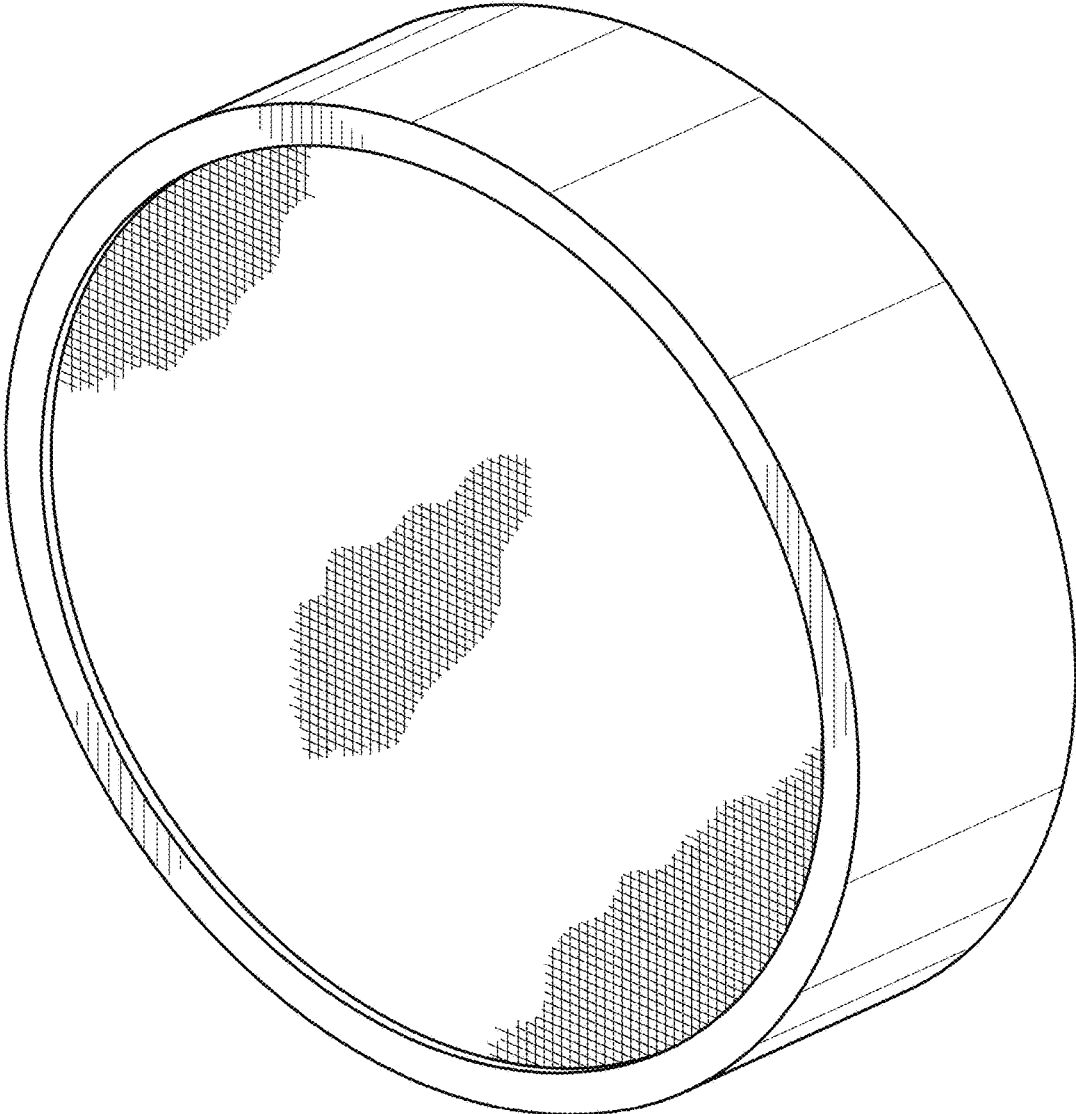
(56)

**References Cited**

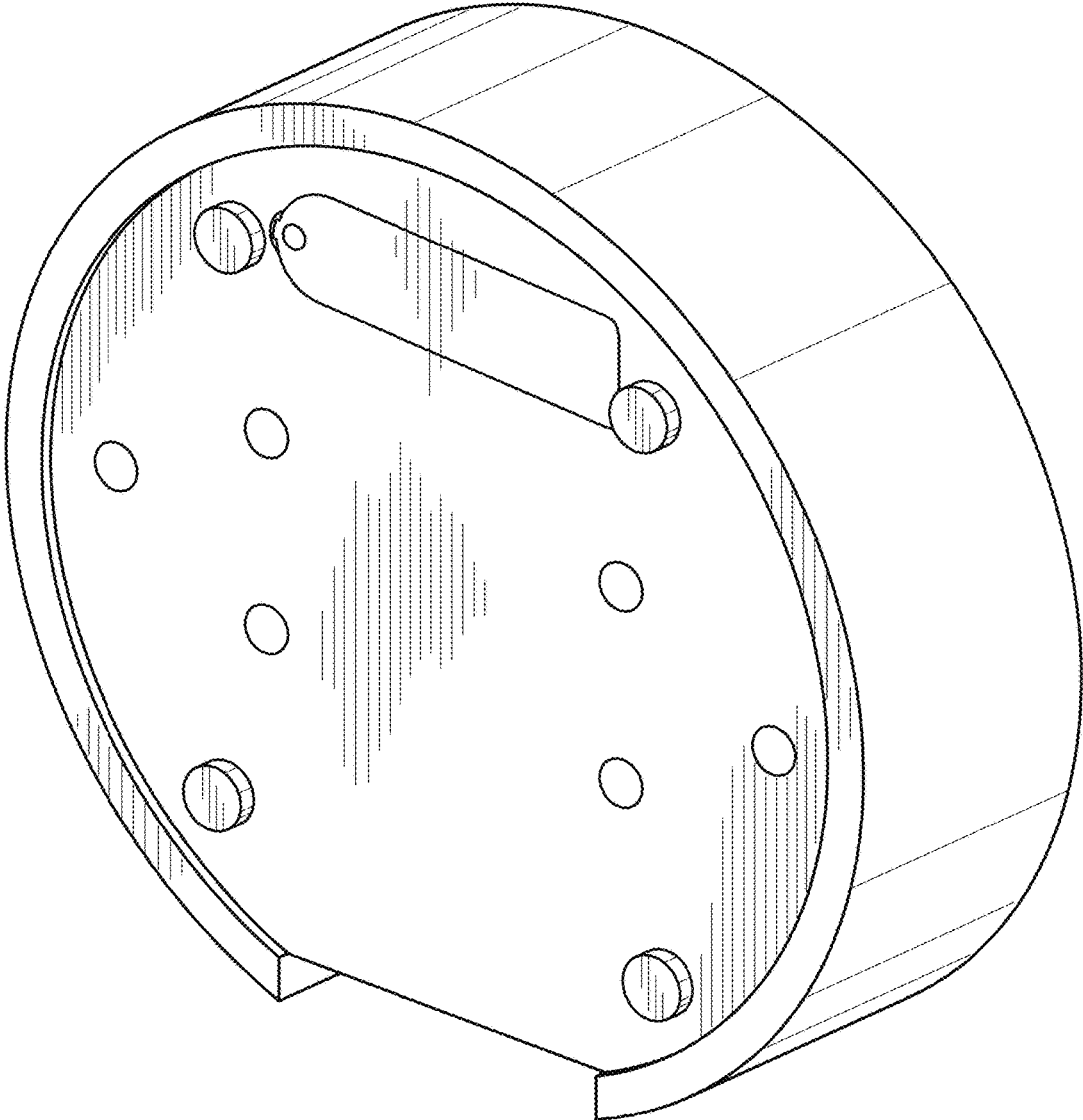
## U.S. PATENT DOCUMENTS

D586,780 S \* 2/2009 Skurdal ..... D14/211  
D591,726 S \* 5/2009 Graber ..... D14/216  
D598,018 S \* 8/2009 Sumii ..... D14/301  
D606,517 S \* 12/2009 Nousiainen ..... D14/216  
D608,347 S \* 1/2010 Graber ..... D14/216  
D617,314 S \* 6/2010 Zha ..... D14/216  
D620,480 S \* 7/2010 Garrett ..... D14/216  
7,909,212 B2 \* 3/2011 Parve ..... B65D 47/0847  
222/480  
8,165,333 B2 \* 4/2012 Tracy ..... H04R 1/26  
181/145  
D658,633 S \* 5/2012 Chen ..... D14/216  
D732,006 S \* 6/2015 Zhao ..... D14/216  
D743,382 S \* 11/2015 Katori ..... D14/228  
D747,296 S \* 1/2016 Wise ..... D14/227  
D752,024 S \* 3/2016 Kachwala ..... D14/216  
D752,199 S \* 3/2016 Berkman ..... D23/370  
D756,956 S \* 5/2016 Van Den Nieuwenhuizen .....  
D14/204  
D771,142 S \* 11/2016 Langhammer ..... D14/203.6  
D806,709 S \* 1/2018 Gummalla ..... D14/358  
D807,867 S \* 1/2018 Kato ..... D14/240  
D810,045 S \* 2/2018 Kim ..... D14/204  
D814,436 S \* 4/2018 Wen ..... D14/150  
D820,318 S \* 6/2018 Mullins ..... D14/496  
10,009,692 B2 \* 6/2018 Tomar ..... H04R 9/025  
2017/0026758 A1 \* 1/2017 Wen ..... H04R 17/00

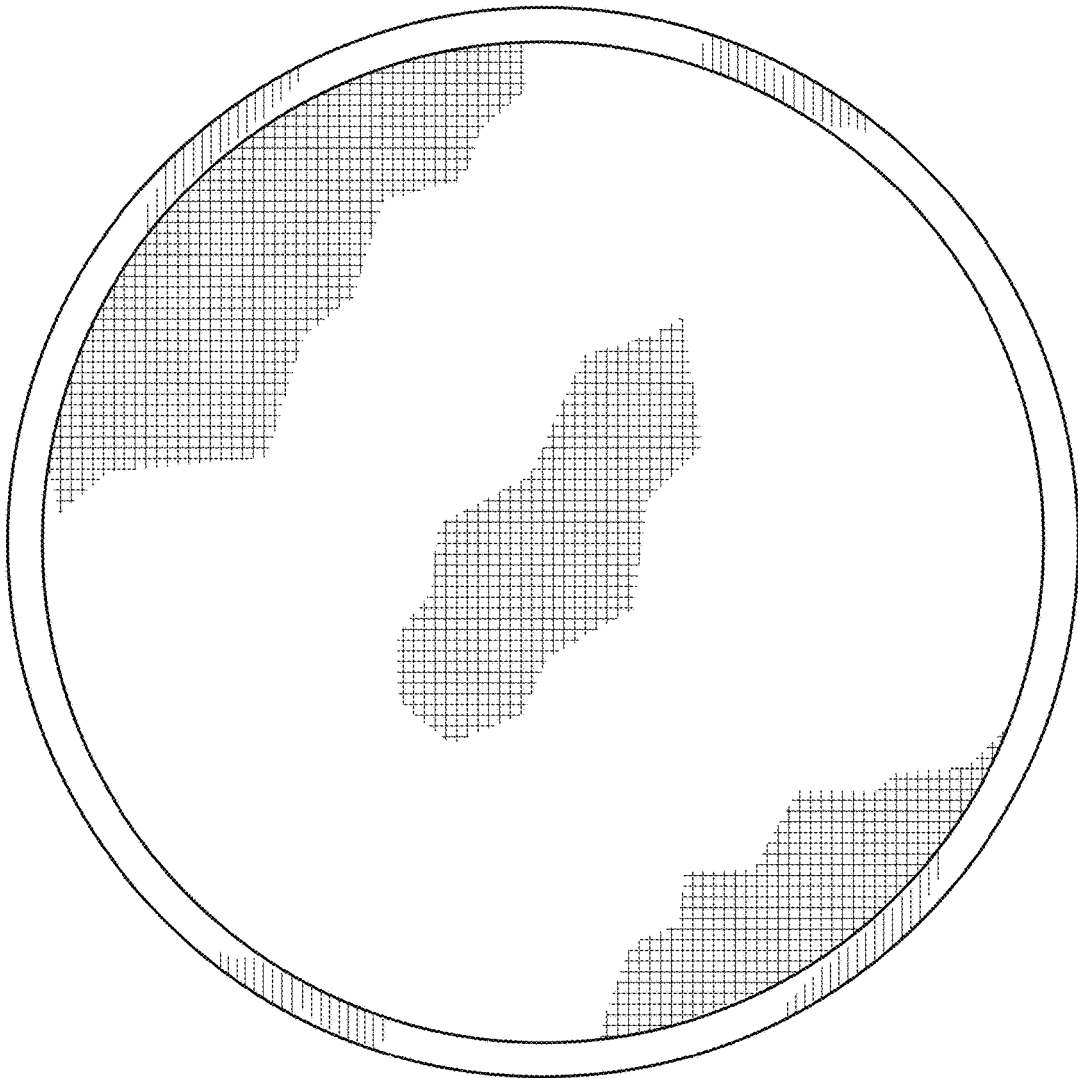
\* cited by examiner



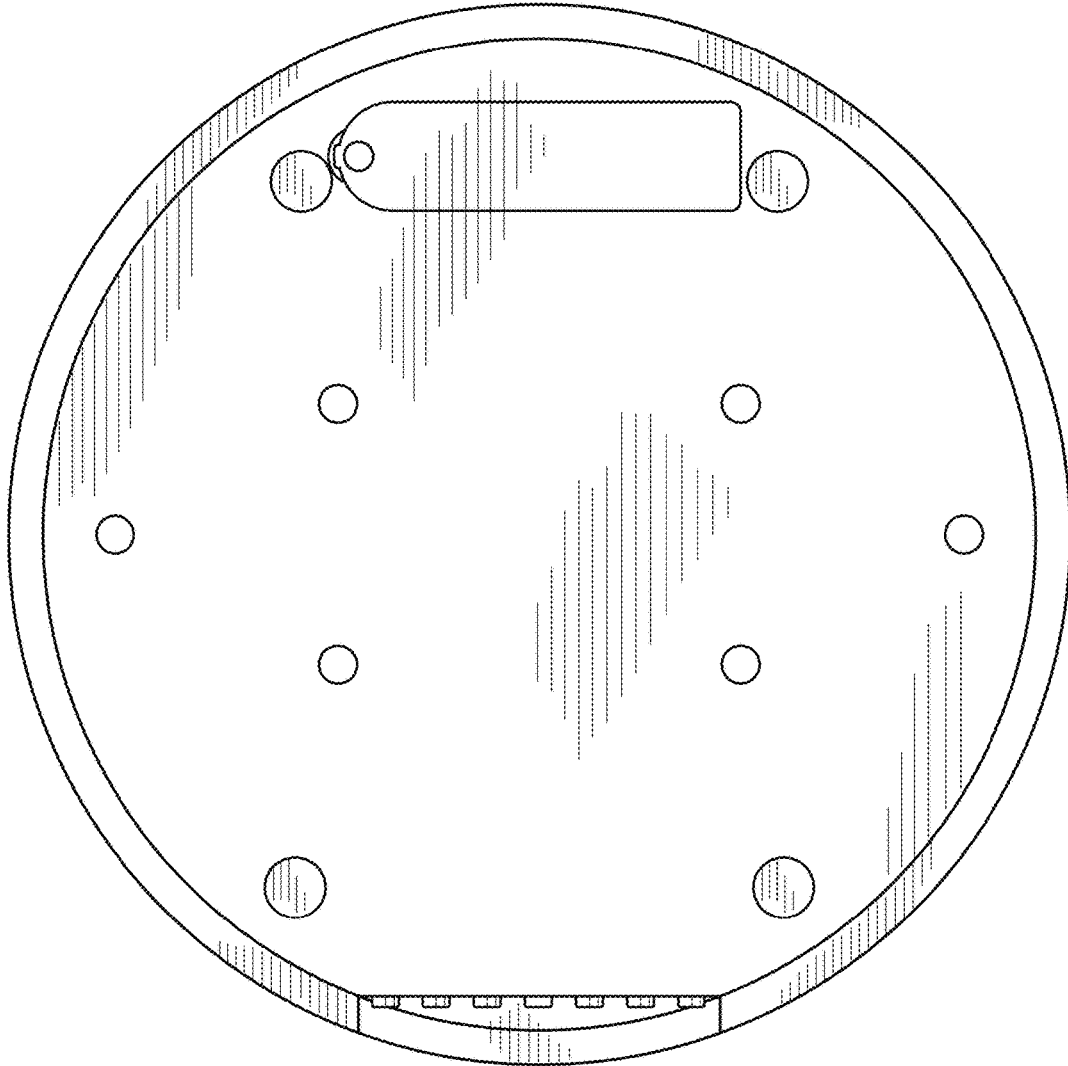
**FIG. 1**



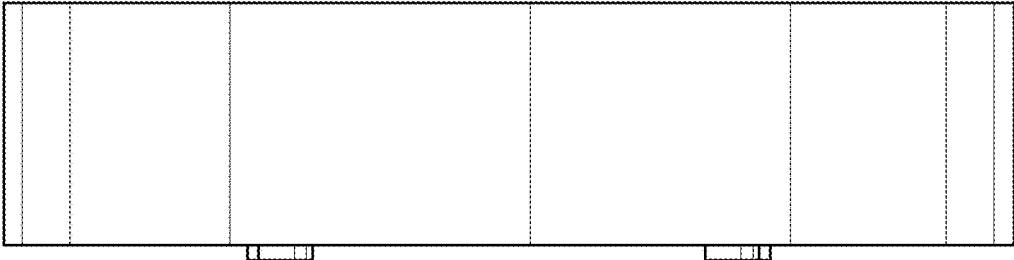
**FIG. 2**



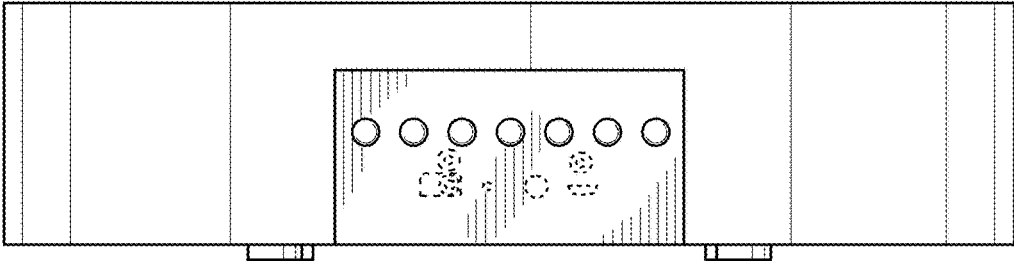
**FIG. 3**



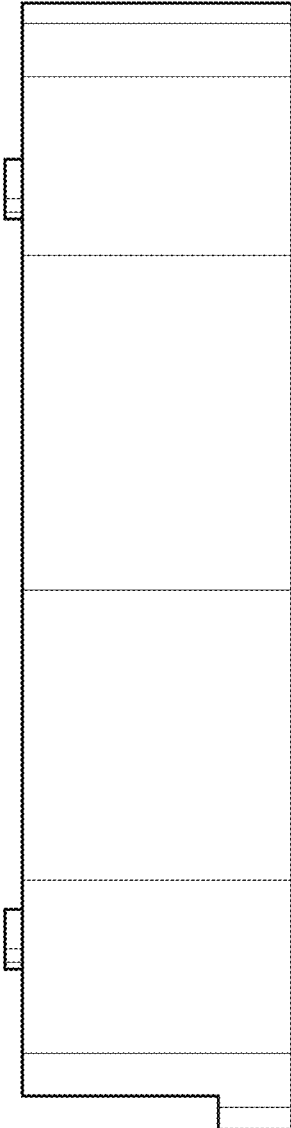
**FIG. 4**



**FIG. 5**



**FIG. 6**



**FIG. 7**