



US00D827827S

(12) **United States Design Patent**  
**Canfield et al.**

(10) **Patent No.:** **US D827,827 S**

(45) **Date of Patent:** **\*\* Sep. 4, 2018**

(54) <b>FACIAL IMAGING BOOTH</b>	2008/0079843 A1* 4/2008 Pote ..... A61B 5/0059 348/371
(71) Applicant: <b>Canfield Scientific, Incorporated,</b> Parsippany, NJ (US)	2010/0309300 A1* 12/2010 Chhibber ..... A61B 5/0059 348/77
(72) Inventors: <b>Douglas Comrie Canfield,</b> Millburn, NJ (US); <b>Daniel Eric DiGregorio,</b> Little Falls, NJ (US); <b>James Paul</b> <b>Dornbusch,</b> Califon, NJ (US); <b>Stefan</b> <b>Assenov Kirov,</b> Morristown, NJ (US)	2014/0243685 A1* 8/2014 Patwardhan ..... A61B 5/44 600/476

(73) Assignee: **Canfield Scientific, Incorporated,**  
Parsippany, NJ (US)

(73) Assignee: **Canfield Scientific, Incorporated,**  
Parsippany, NJ (US)

(\*\*) Term: **15 Years**

(21) Appl. No.: **29/566,702**

(22) Filed: **Jun. 2, 2016**

(51) **LOC (11) Cl.** ..... **24-01**

(52) **U.S. Cl.**  
USPC ..... **D24/158**

(58) **Field of Classification Search**  
USPC ..... D24/107, 158-161, 185, 186, 187, 231;  
D16/215; D25/16  
CPC ..... A61B 5/441-5/445; A61B 5/0071; A61B  
5/0072; A61B 5/0073; A61B 5/0059;  
A61B 5/2252; A61B 5/6888  
See application file for complete search history.

(56) **References Cited**

**U.S. PATENT DOCUMENTS**

D548,326 S *	8/2007	Asai	.....	D24/107
D564,663 S *	3/2008	Udagawa	.....	D24/158
D590,507 S *	4/2009	Krishnan	.....	D24/186
D743,553 S *	11/2015	Curiel	.....	D24/158
D757,939 S *	5/2016	Tsujita	.....	D24/158
2004/0125996 A1*	7/2004	Eddowes	.....	A61B 5/0059 382/128

**OTHER PUBLICATIONS**

VISIA Facial Imaging Booth, Catalog, Canfield Imaging Systems, Feb. 2003.

OMNIA Facial Imaging System, Brochure, Canfield Imaging Systems, Feb. 2005.

\* cited by examiner

*Primary Examiner* — Anhdao Doan

(74) *Attorney, Agent, or Firm* — Brosemer, Kolefas & Assoc. LLC

(57) **CLAIM**

The ornamental design for a facial imaging booth, as shown and described.

**DESCRIPTION**

FIG. 1 is a front view of a facial imaging booth showing the new design;

FIG. 2 is a right side view thereof;

FIG. 3 is a left side view thereof;

FIG. 4 is a top view thereof;

FIG. 5 is a rear view thereof;

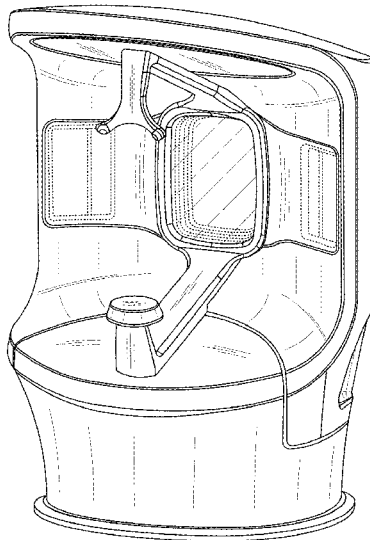
FIG. 6 is an isometric view as seen from the top, front and right side thereof;

FIG. 7 is an additional front view thereof, in a rotated configuration;

FIG. 8 is an additional isometric view as seen from the top, front and right side thereof, in the rotated configuration; and, FIG. 9 is a bottom view thereof.

The broken lines illustrate portions of the facial imaging booth that form no part of the claimed design.

**1 Claim, 9 Drawing Sheets**



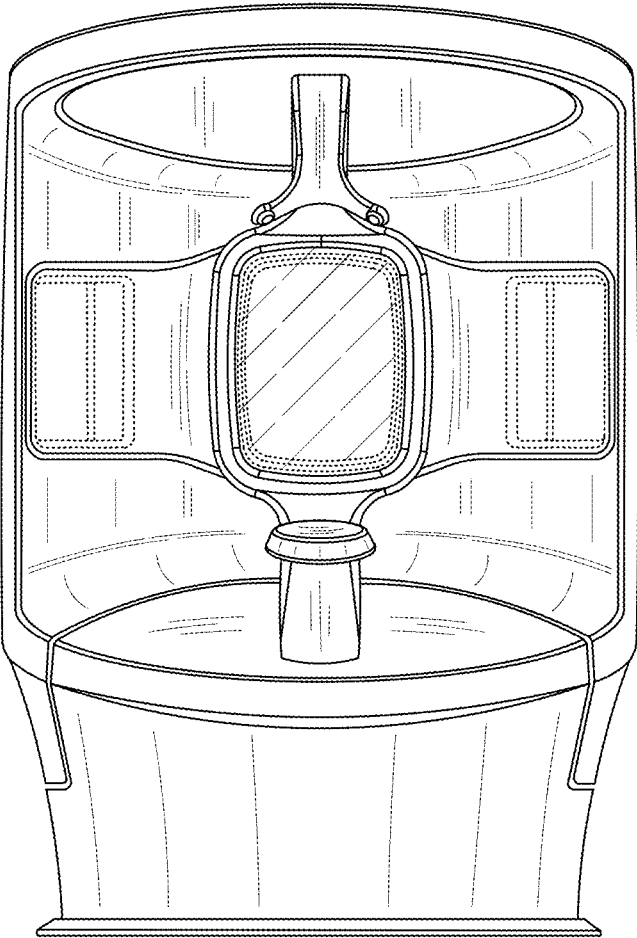


FIG. 1

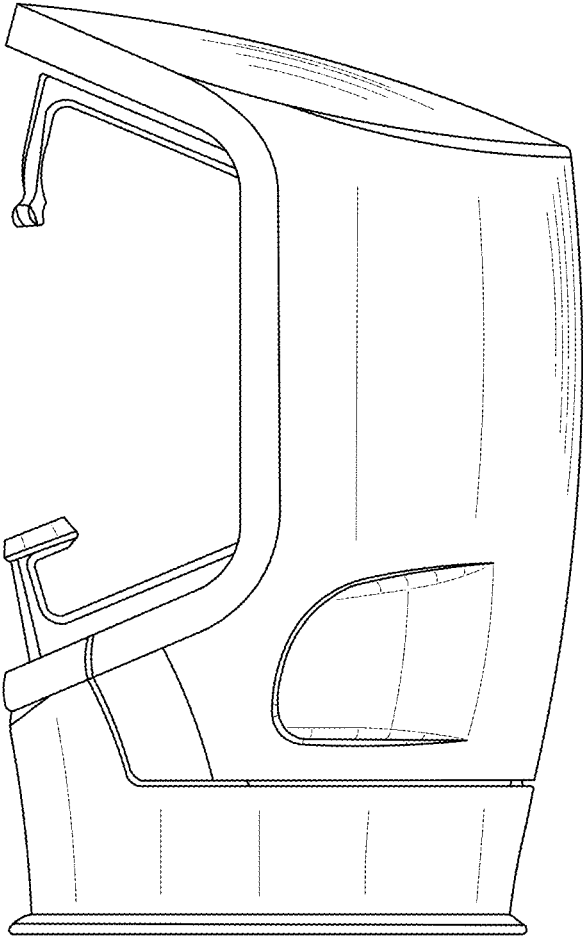


FIG. 2

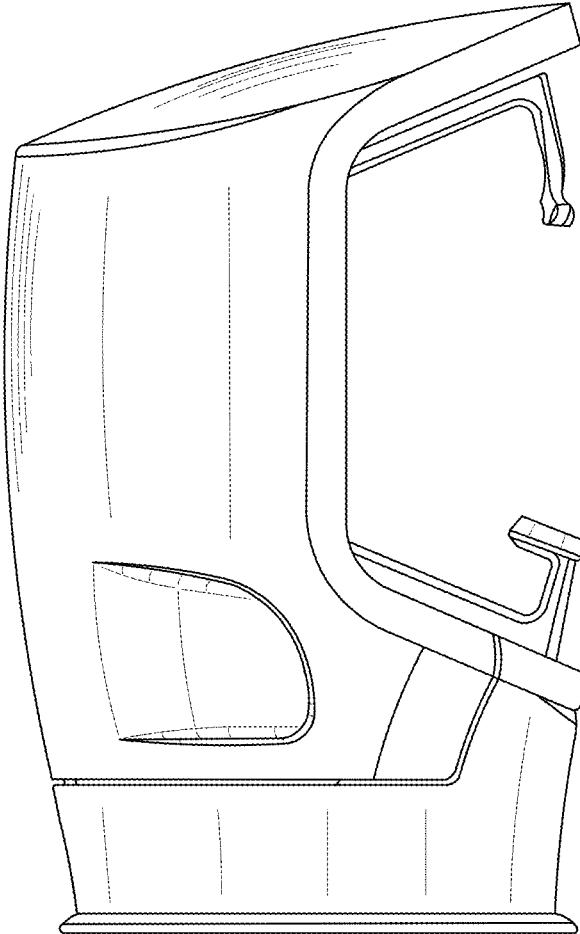


FIG. 3

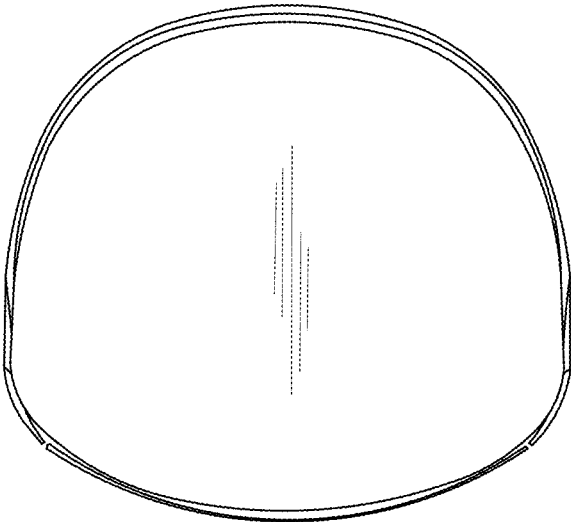


FIG. 4

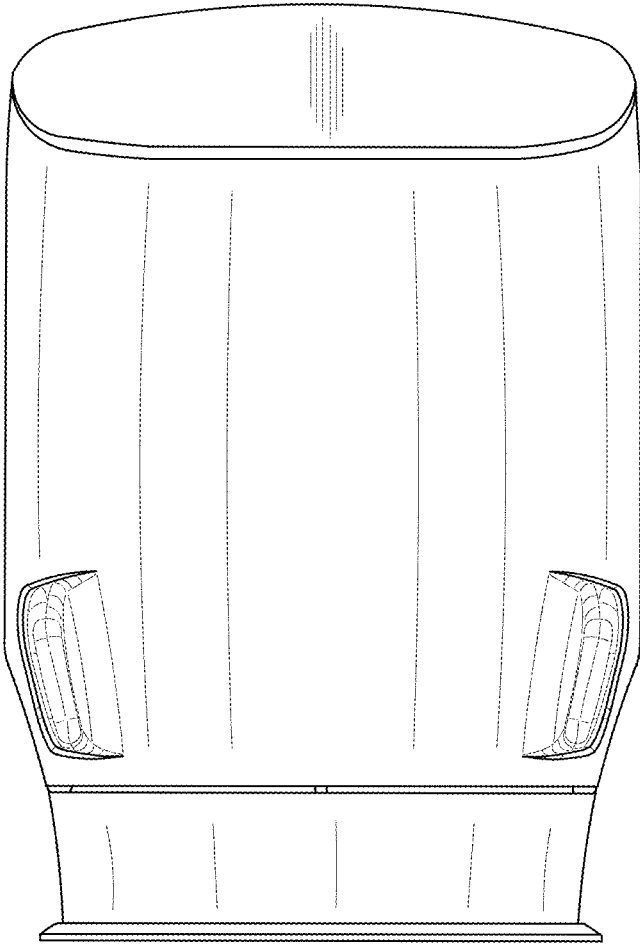


FIG. 5

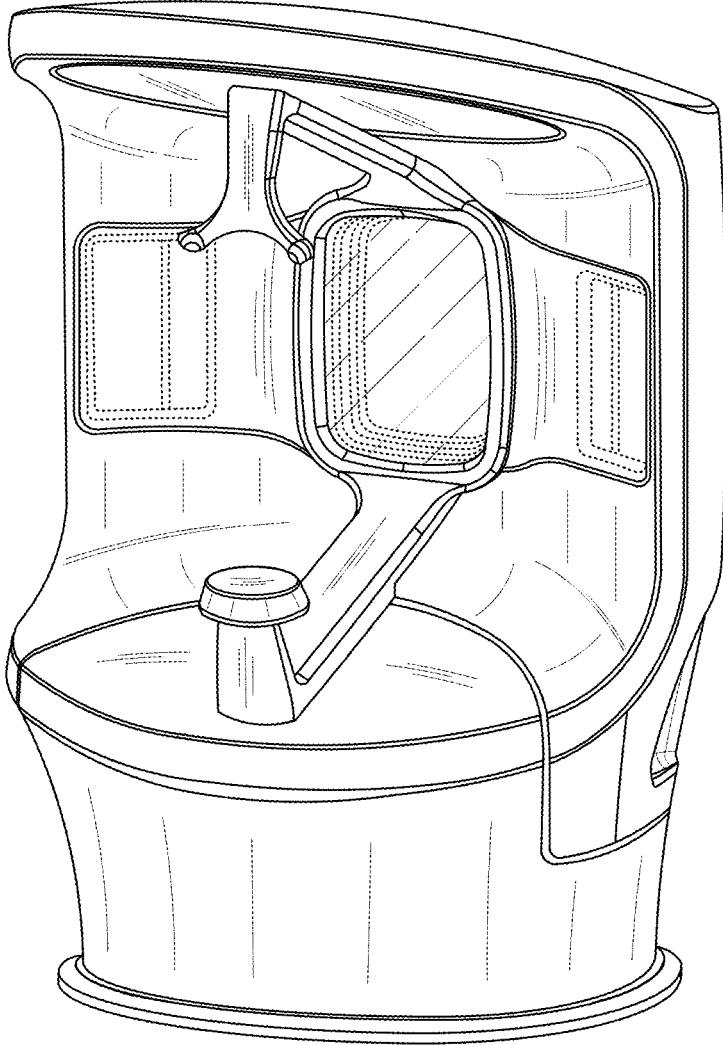


FIG. 6

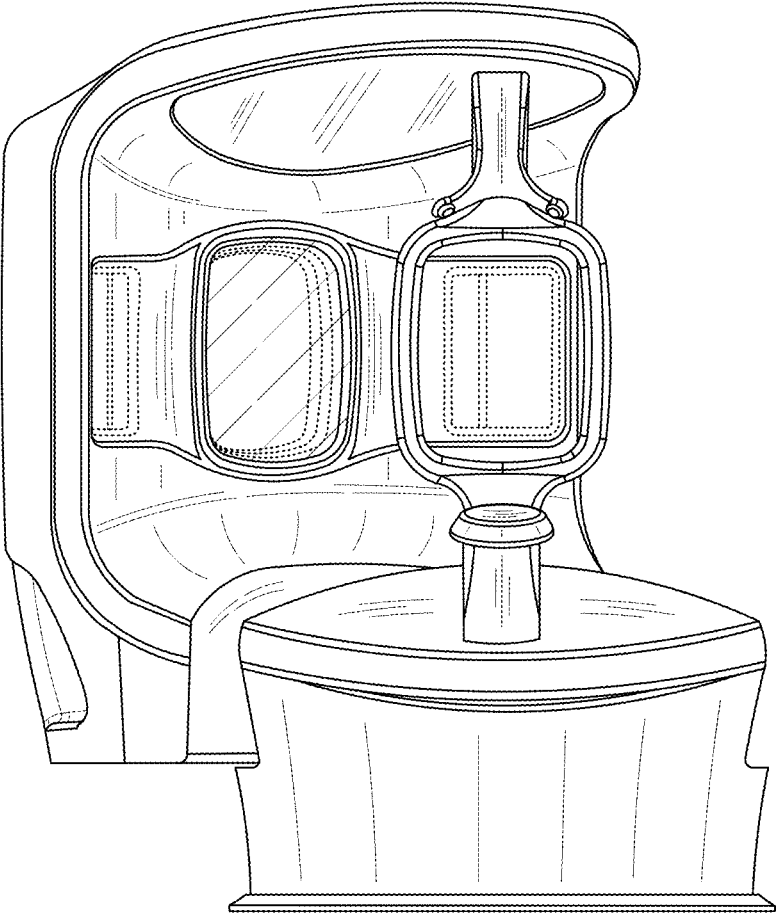


FIG. 7



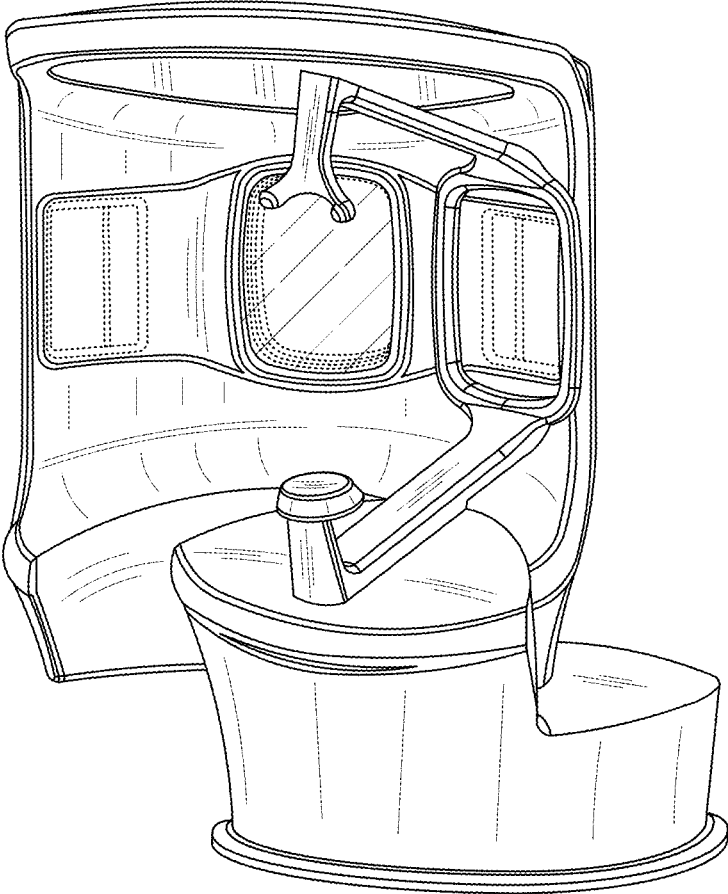


FIG. 8

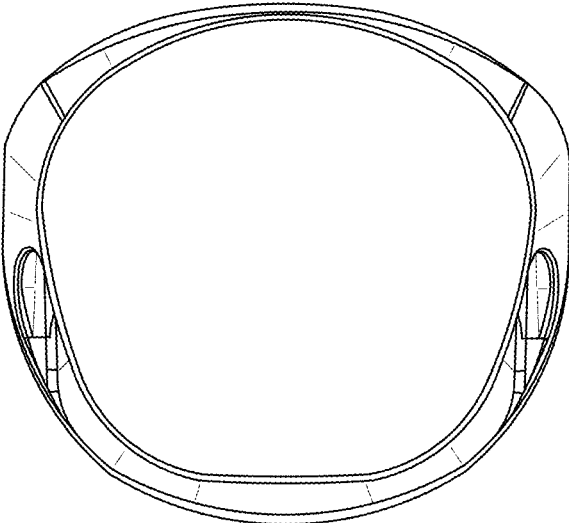


FIG. 9