



US00D968924S

(12) **United States Design Patent**
King

(10) **Patent No.:** **US D968,924 S**

(45) **Date of Patent:** **** Nov. 8, 2022**

(54) **BALE CARRYING DEVICE**
(71) Applicant: **Walter E. King**, Senoia, GA (US)
(72) Inventor: **Walter E. King**, Senoia, GA (US)
(**) Term: **15 Years**

5,707,096 A * 1/1998 Gregory B65D 71/50
294/87.2
D400,785 S 11/1998 Randall
5,992,803 A 11/1999 Leroux
D441,653 S 5/2001 Leroux
D447,952 S * 9/2001 Valkovich D9/455
(Continued)

(21) Appl. No.: **29/809,520**
(22) Filed: **Sep. 28, 2021**

FOREIGN PATENT DOCUMENTS

CN 200941890 9/2007
CN 202365136 8/2012

(Continued)

Related U.S. Application Data

(63) Continuation of application No. 29/722,136, filed on Jan. 27, 2020, now Pat. No. Des. 934,650.

(51) **LOC (13) Cl.** **08-06**

(52) **U.S. Cl.**
USPC **D8/301**

(58) **Field of Classification Search**
USPC D8/90, 107, 300, 301, 303, 307, 311,
D8/312, 313, 314, 315; D7/395;
D9/434, 455; D3/328
CPC A45F 5/102; A45F 5/1026; A45F
2005/1053; B65D 63/18
See application file for complete search history.

OTHER PUBLICATIONS

“Hay Handles” Make Bales Easy To Carry, 2015, Farm Show Magazine, vol. #39, Issue #3, p. #19, https://www.farmshow.com/a_article.php?aid=29268 (Year: 2015).

(Continued)

Primary Examiner — Lauren R Calve
(74) *Attorney, Agent, or Firm* — Taylor English Duma LLP

(57) **CLAIM**

I claim the ornamental design for a bale carrying device, as shown and described.

(56) **References Cited**

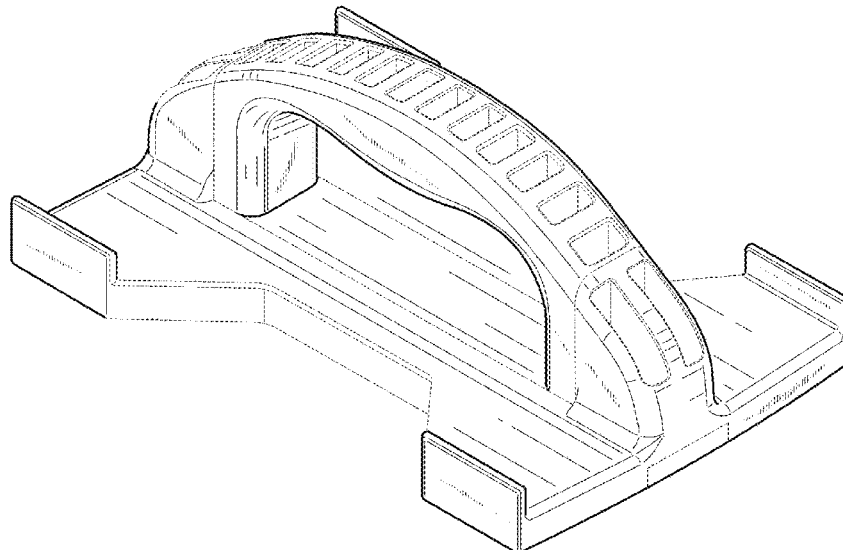
U.S. PATENT DOCUMENTS

424,806 A 4/1890 Morris
2,749,172 A 6/1956 Jacobs
D184,420 S 2/1959 Carlisle
D219,278 S 11/1970 Protzmann et al.
4,004,722 A 1/1977 Olivier
D269,253 S 6/1983 Gagnon
4,420,178 A 12/1983 Taylor et al.
4,741,492 A 5/1988 Reysen
4,919,466 A 4/1990 Consler et al.
5,487,581 A 1/1996 Carmo et al.
5,507,544 A 4/1996 McQuade et al.
5,527,076 A 6/1996 Randels
5,665,409 A 9/1997 Drewry
5,667,266 A 9/1997 Giocanti

DESCRIPTION

FIG. 1 is a front perspective view of a bale carrying device. FIG. 2 is a top plan view thereof. FIG. 3 is a bottom plan view thereof. FIG. 4 is a left-side elevation view thereof. FIG. 5 is a right-side elevation view thereof. FIG. 6 is a front elevation view thereof; and, FIG. 7 is a rear elevation view thereof. The broken lines shown represent portions of the bale carrying device that form no part of the claimed design.

1 Claim, 7 Drawing Sheets



(56)

References Cited

U.S. PATENT DOCUMENTS

6,334,531 B1 1/2002 Valkovich
 6,382,549 B1 5/2002 Krake
 D460,677 S 7/2002 Proot et al.
 6,499,781 B1 12/2002 Flynn
 D474,389 S * 5/2003 Panfili D8/90
 6,623,056 B1 9/2003 Wickson
 D511,083 S * 11/2005 Gurzenda D8/316
 7,097,223 B1 * 8/2006 Bradford A45F 5/1026
 294/158
 D542,213 S * 5/2007 Rodriguez D8/107
 D615,876 S * 5/2010 Oster D9/752
 7,874,602 B2 1/2011 Meckwood et al.
 D657,241 S 4/2012 Nidetz
 8,708,384 B2 * 4/2014 Boland A45F 5/102
 294/158
 D735,013 S * 7/2015 White D8/301
 D793,233 S 8/2017 Fuhry
 9,743,746 B2 8/2017 Martinez et al.
 D846,967 S * 4/2019 Werdowatz D8/303
 D853,820 S 7/2019 Garrido
 10,772,415 B1 9/2020 Swenson
 D933,448 S * 10/2021 Spadavecchia D8/301
 11,147,361 B2 * 10/2021 Krivokapic A45F 5/10
 D934,650 S 11/2021 King
 11,357,316 B2 6/2022 King
 2002/0101087 A1 8/2002 Thielking et al.
 2004/0212208 A1 10/2004 Link
 2005/0044662 A1 3/2005 Yu
 2005/0045676 A1 3/2005 Bass et al.
 2007/0132254 A1 6/2007 Choi
 2008/0169663 A1 7/2008 Stelzer et al.
 2009/0206621 A1 8/2009 Payne
 2014/0265397 A1 9/2014 Shepherd et al.

2015/0035306 A1 2/2015 Ewing
 2017/0055688 A1 * 3/2017 Lewis A45F 5/10
 2021/0061532 A1 3/2021 King

FOREIGN PATENT DOCUMENTS

CN 202386062 8/2012
 CN 104665222 6/2015
 CN 106880159 6/2017
 CN 206714390 12/2017
 CN 108851486 11/2018
 CN 108937088 12/2018

OTHER PUBLICATIONS

King, Walter E.; Final Office Action for U.S. Appl. No. 16/704,035, filed Dec. 5, 2019, dated Apr. 19, 2021, 12 pgs.
 King, Walter E.; Non-Final Office Action for U.S. Appl. No. 16/704,035, filed Dec. 5, 2019, dated Dec. 31, 2020, 14 pgs.
 King, Walter E.; Non-Final Office Action for U.S. Appl. No. 16/704,035, filed Dec. 5, 2019, dated Mar. 18, 2021, 13 pgs.
 King, Walter E.; Corrected Notice of Allowance for Design U.S. Appl. No. 29/722,136, filed Jan. 27, 2020, dated Oct. 5, 2021, 6 pgs.
 King, Walter E.; Corrected Notice of Allowance for Design U.S. Appl. No. 29/722,136, filed Jan. 27, 2020, dated Jul. 22, 2021, 8 pgs.
 King, Walter E.; Corrected Notice of Allowance for Design U.S. Appl. No. 29/722,136, filed Jan. 27, 2020, dated Jul. 14, 2021, 6 pgs.
 King, Walter E.; Notice of Allowance for Design U.S. Appl. No. 29/722,136, filed Jan. 27, 2020, dated Mar. 28, 2021, 18 pgs.
 King, Walter E.; Final Office Action for U.S. Appl. No. 16/704,035, filed Dec. 5, 2019, dated Dec. 16, 2021, 14 pgs.
 King, Walter E.; Notice of Allowance for U.S. Appl. No. 16/704,035, filed Dec. 5, 2019, dated Mar. 3, 2022, 9 pgs.

* cited by examiner

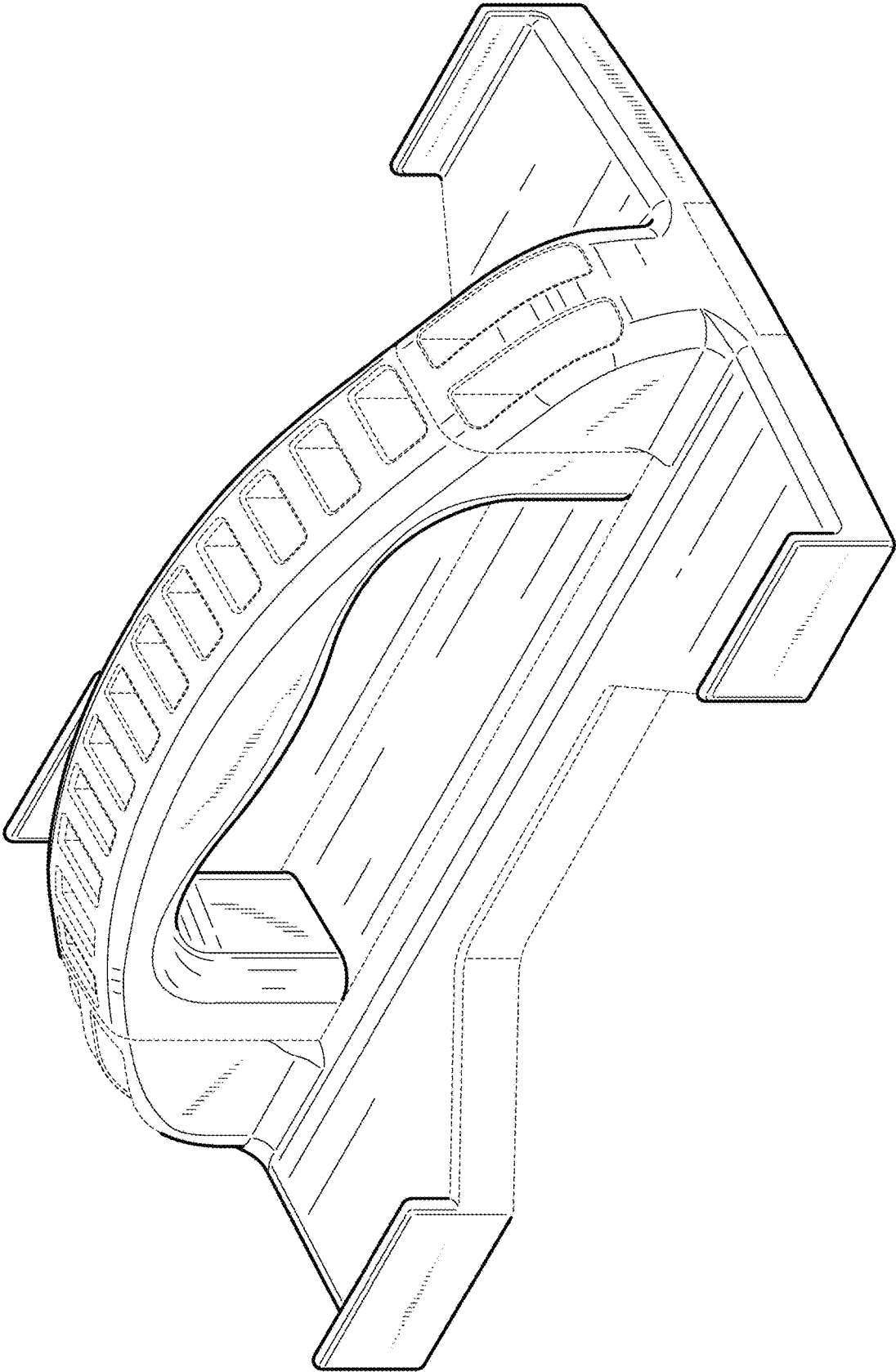


FIG. 1

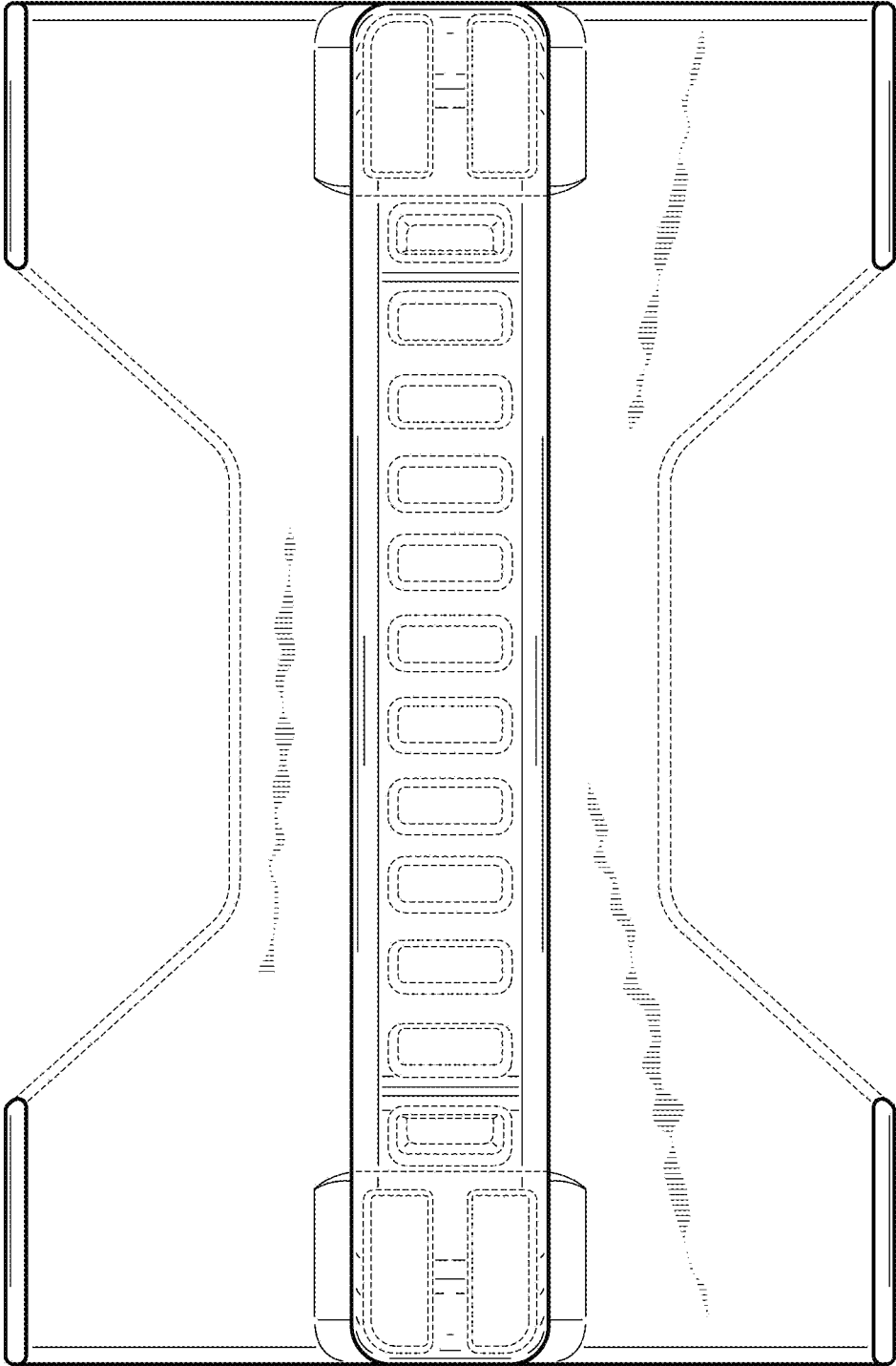


FIG. 2

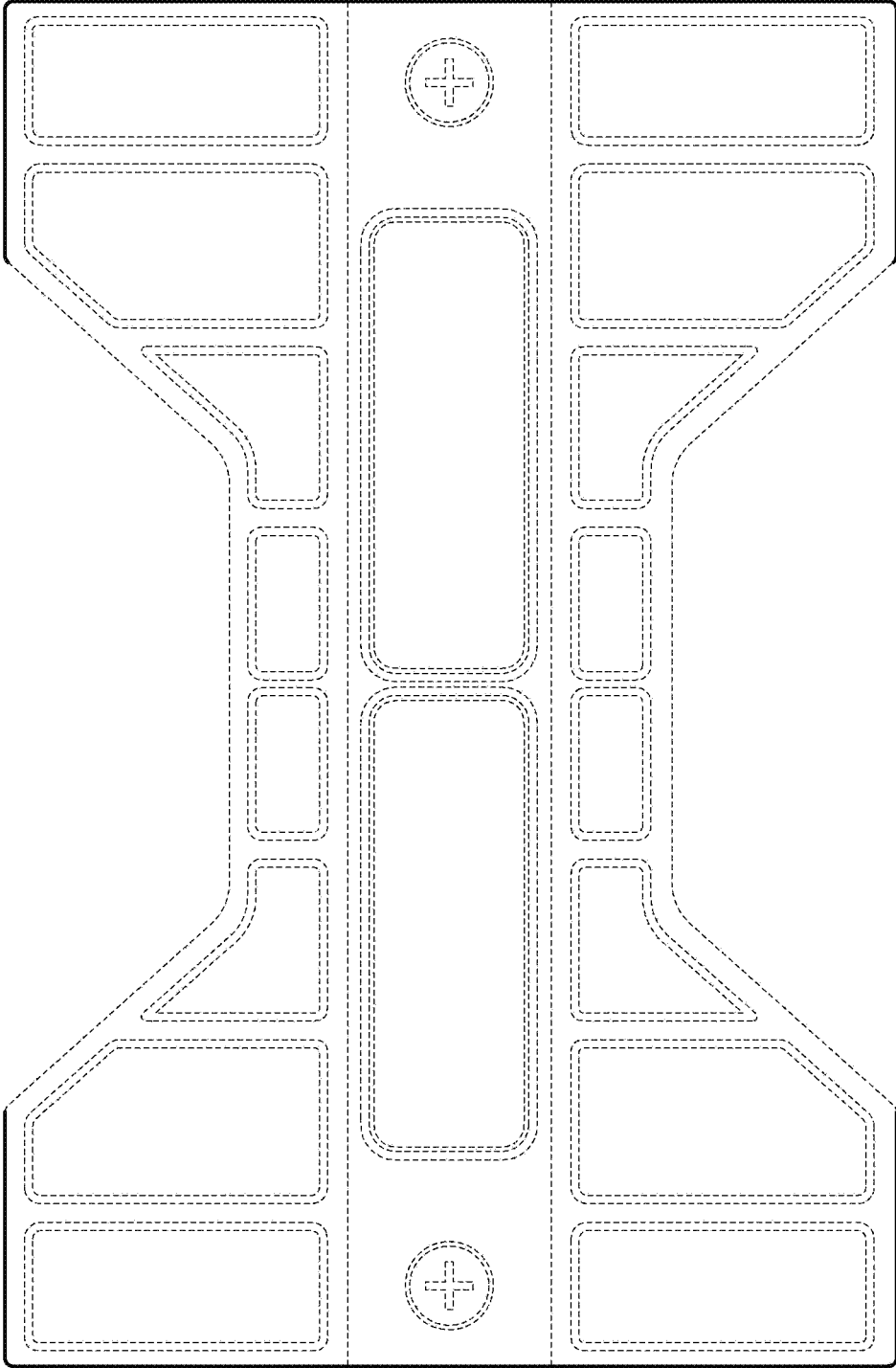


FIG. 3

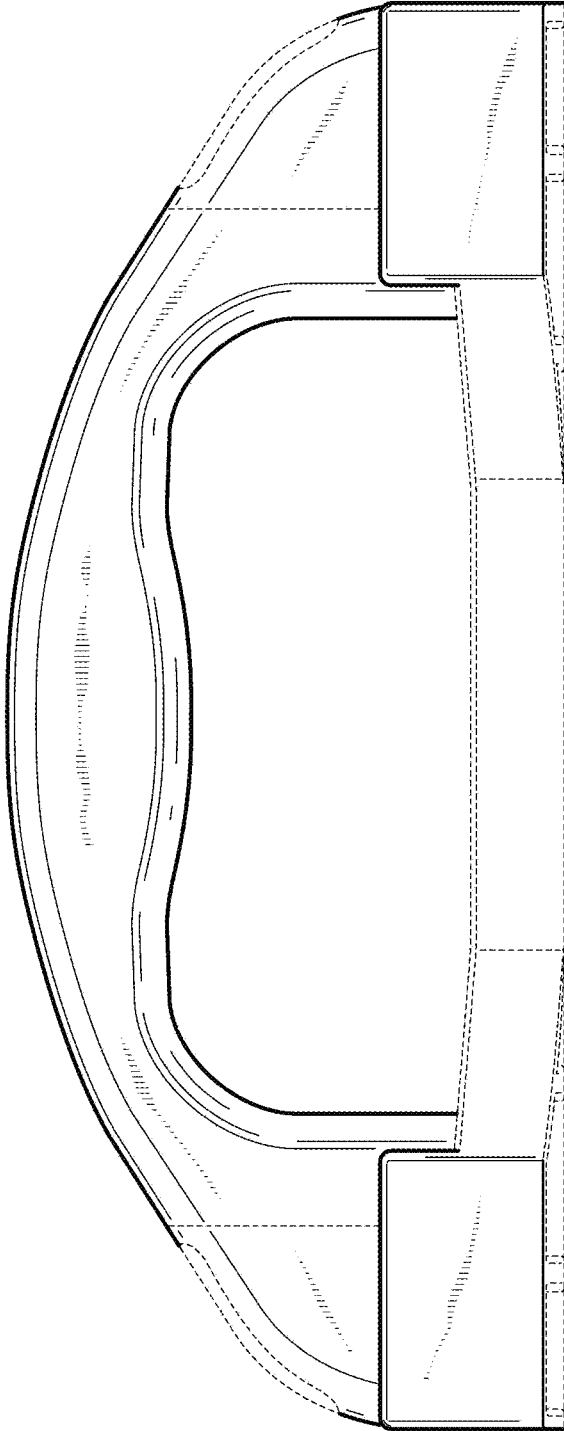


FIG. 4

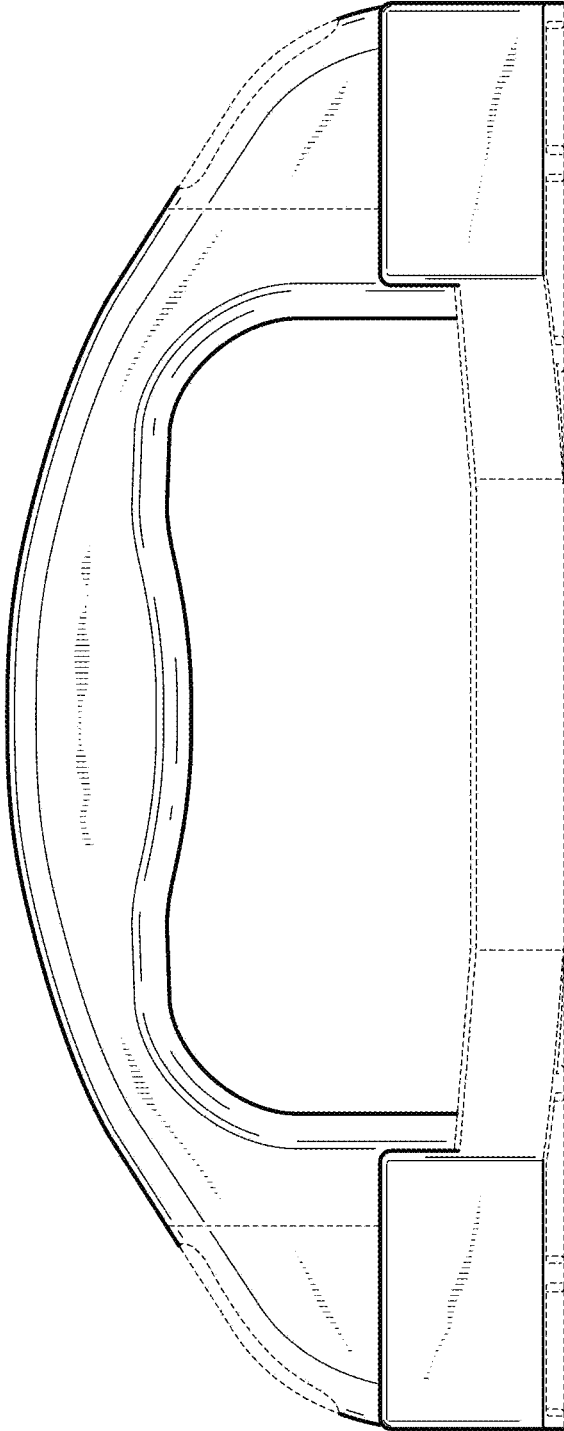


FIG. 5

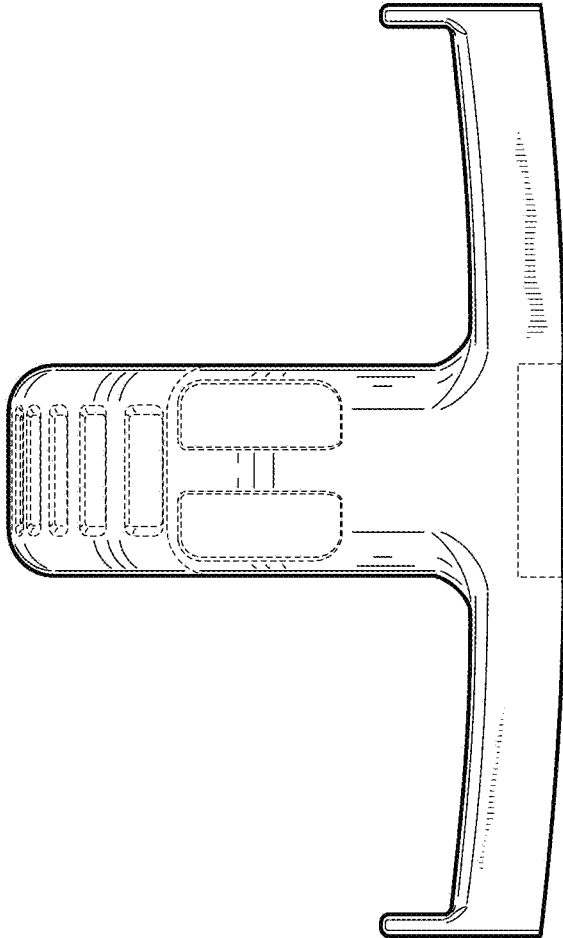


FIG. 6

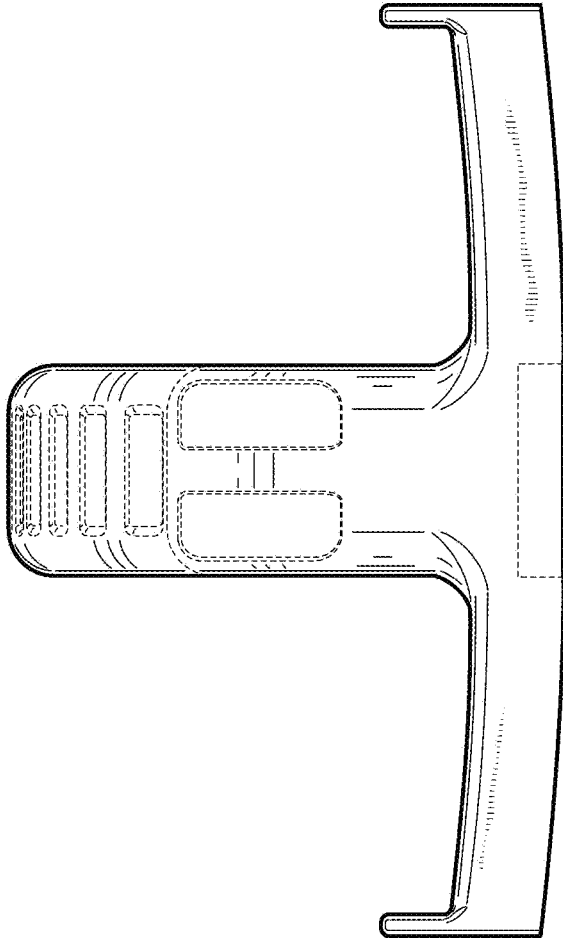


FIG. 7