



US00D987017S

(12) **United States Design Patent**
Zhao

(10) **Patent No.:** **US D987,017 S**
(45) **Date of Patent:** **** May 23, 2023**

(54) **BUG ZAPPER**

(71) Applicant: **SHENZHEN GOLDSLAND
PRECISION MOLD & PLASTLC
PRODUCTS CO., LTD.,** Shenzhen
(CN)

(72) Inventor: **Xuping Zhao,** Shantou (CN)

(73) Assignee: **SHENZHEN GOLDSLAND
PRECISION MOLD & PLASTLC
PRODUCTS CO., LTD.,** Shenzhen
(CN)

(**) Term: **15 Years**

(21) Appl. No.: **29/870,140**

(22) Filed: **Jan. 17, 2023**

(51) **LOC (14) Cl.** **22-06**

(52) **U.S. Cl.**
USPC **D22/123**

(58) **Field of Classification Search**
USPC D22/122-123; 43/112-113, 139
CPC A01M 1/02; A01M 1/023; A01M 1/106;
A01M 1/2016; A01M 1/233; A01M
23/00; A01M 2200/012
See application file for complete search history.

(56) **References Cited**

U.S. PATENT DOCUMENTS

D189,782	S	*	2/1961	Richardson	D22/123
D612,902	S	*	3/2010	Fleming	D22/123
D744,060	S	*	11/2015	Mackay	D22/122
D777,291	S	*	1/2017	Seaton	D22/122
D854,118	S	*	7/2019	Chang	D22/122

10,791,726	B2	*	10/2020	Zheng	A01M 1/223
D950,002	S	*	4/2022	Luo	D22/123
D960,283	S	*	8/2022	Liao	D22/123
D970,680	S	*	11/2022	Li	D22/123
D971,374	S	*	11/2022	You	D22/122
D973,829	S		12/2022	Horne		

OTHER PUBLICATIONS

https://www.amazon.com/dp/B07Z2W76Y8?pd_rd_i=B07Z2W76Y8&pf_rd_p=b000e0a0-9e93-480f-bf78-a83c8136dfcb&pf_rd_r=34NPXGGA2Y3P5C2NPE3J&pd_rd_wg=Vcezw&pd_rd_w=uHo27&pd_rd_r=43846e4d-0386-449f-9932-f79d7b07f273
(Year: 2019).*

* cited by examiner

Primary Examiner — Catherine R Oliver-Garcia
(74) *Attorney, Agent, or Firm* — Nitin Kaushik

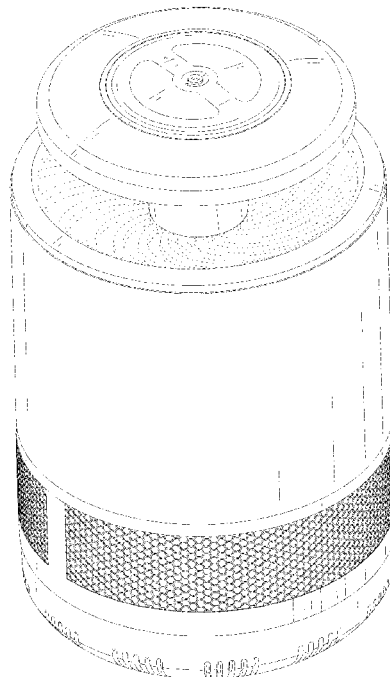
(57) **CLAIM**

The ornamental design for a bug zapper, as shown and described.

DESCRIPTION

FIG. 1 is a top perspective view of a bug zapper, showing my new design;
FIG. 2 is a bottom perspective view thereof;
FIG. 3 is a front view thereof;
FIG. 4 is a rear view thereof;
FIG. 5 is a left side view thereof;
FIG. 6 is a right side view thereof;
FIG. 7 is a top view thereof; and,
FIG. 8 is a bottom view thereof.
The broken lines in the drawings illustrate the portions of the bug zapper, which form no part of the claimed design.

1 Claim, 8 Drawing Sheets



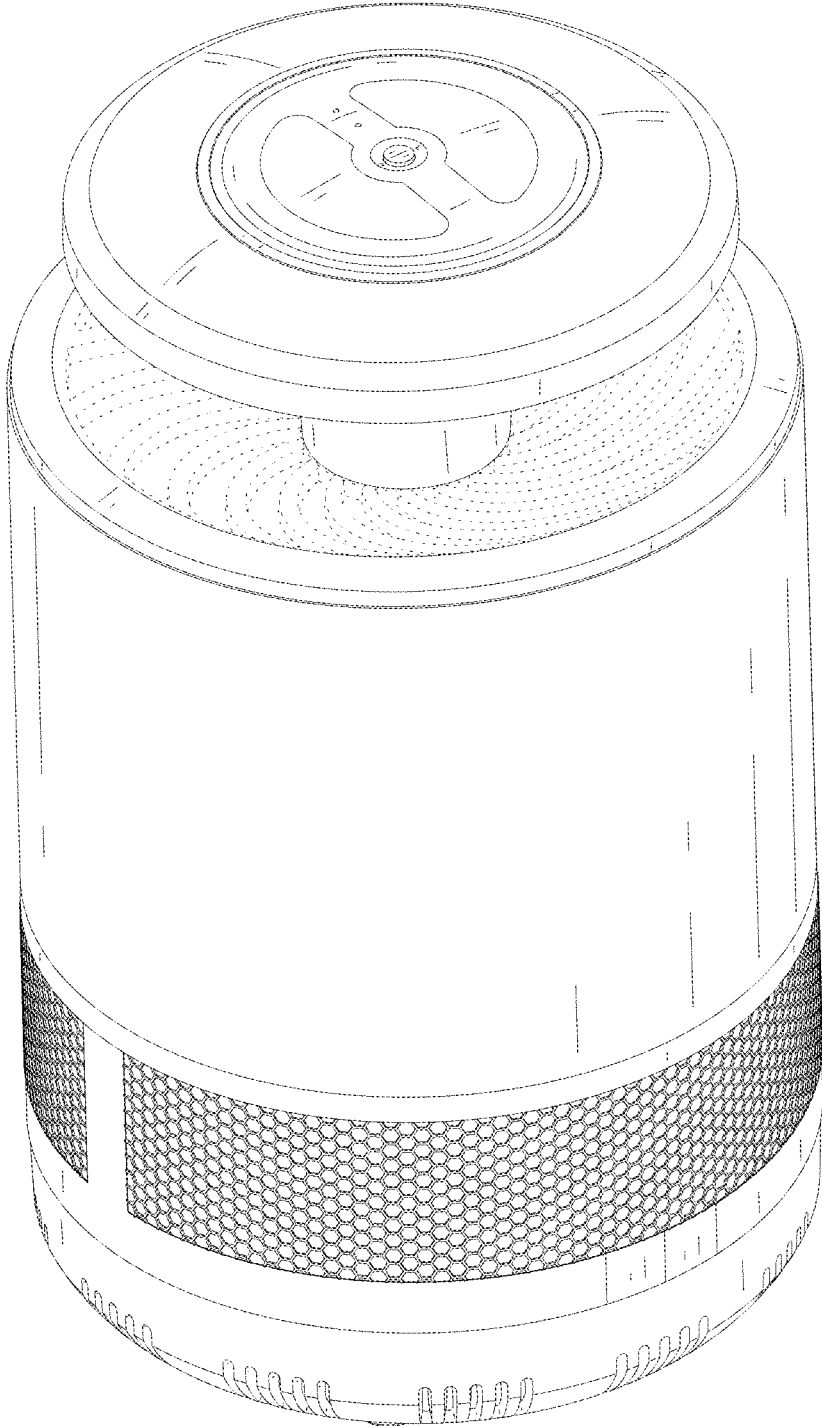


FIG. 1

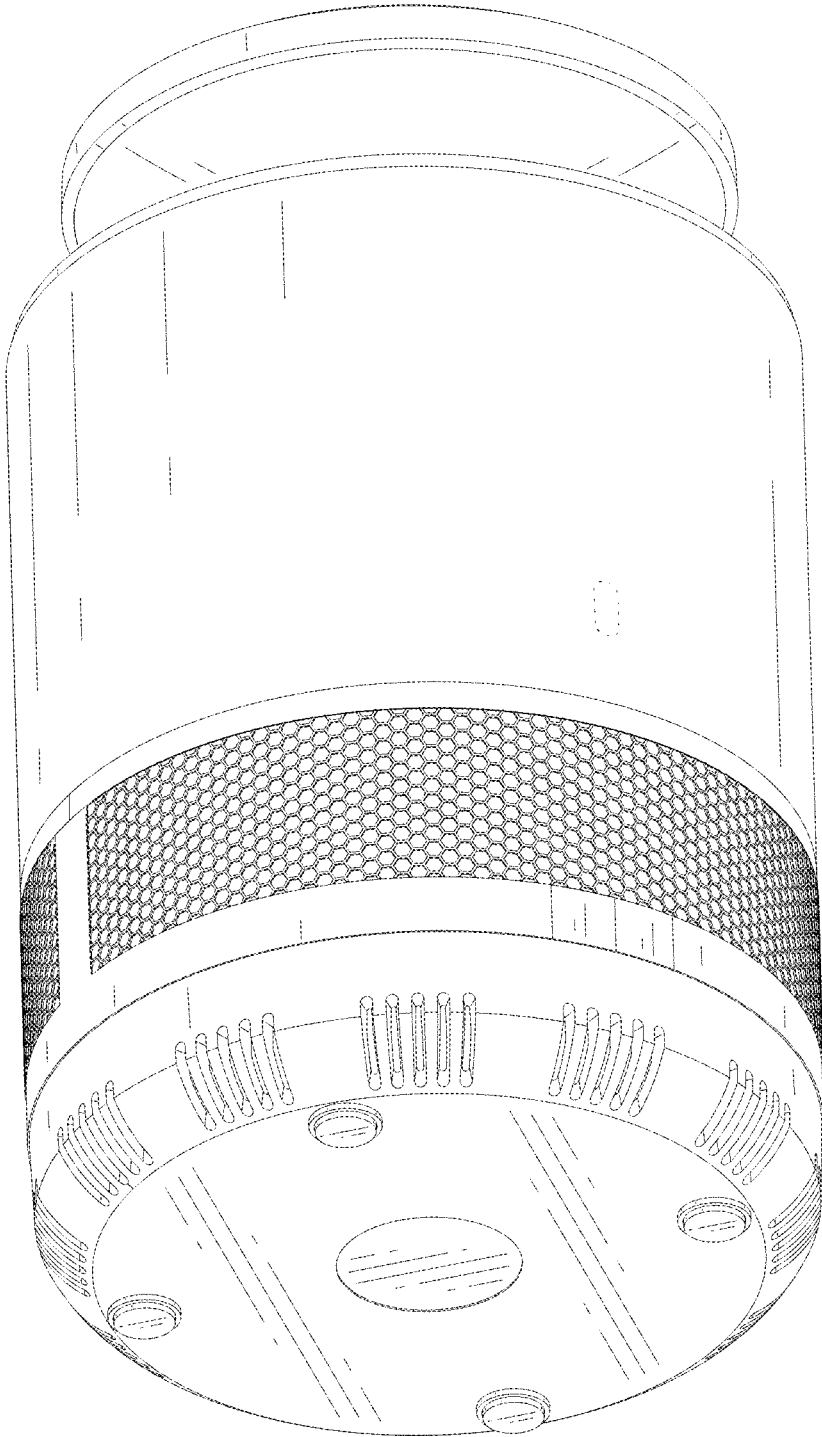


FIG. 2

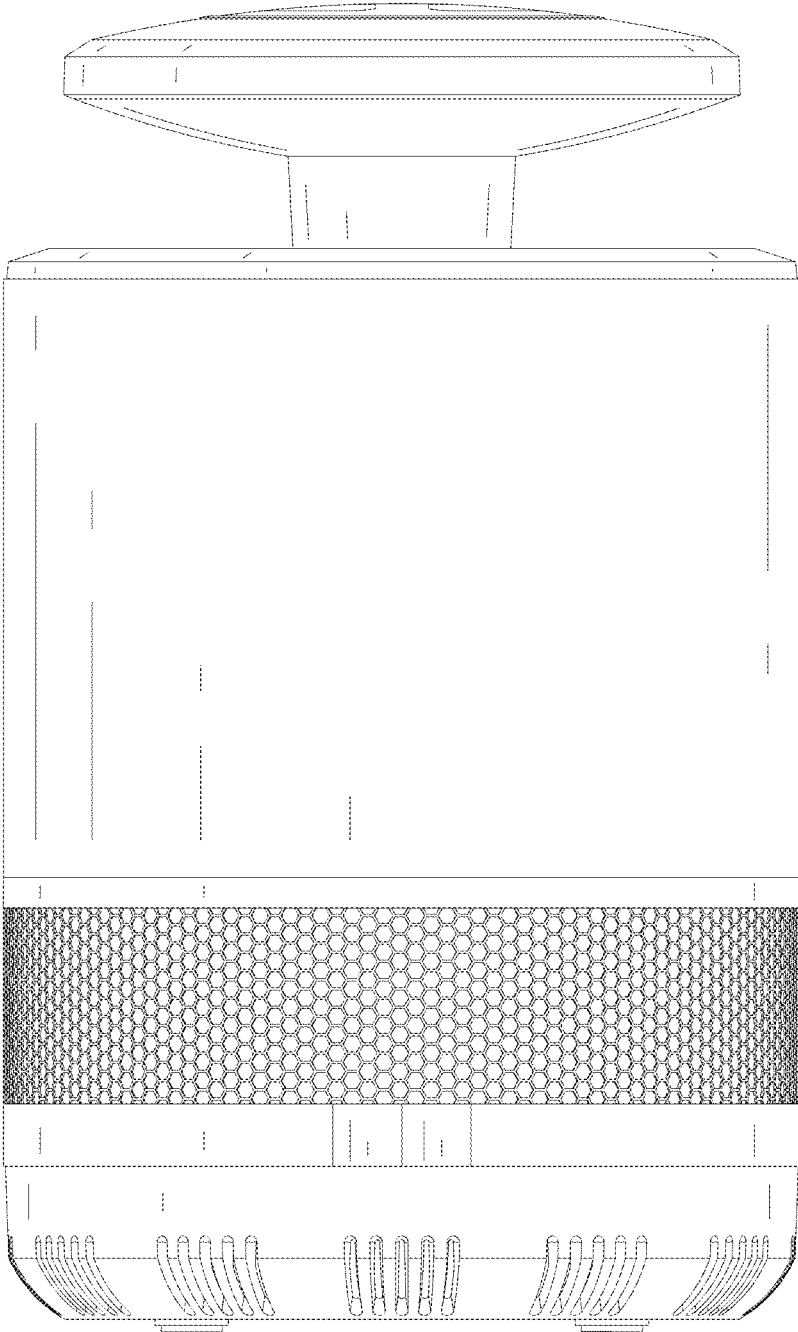


FIG. 3

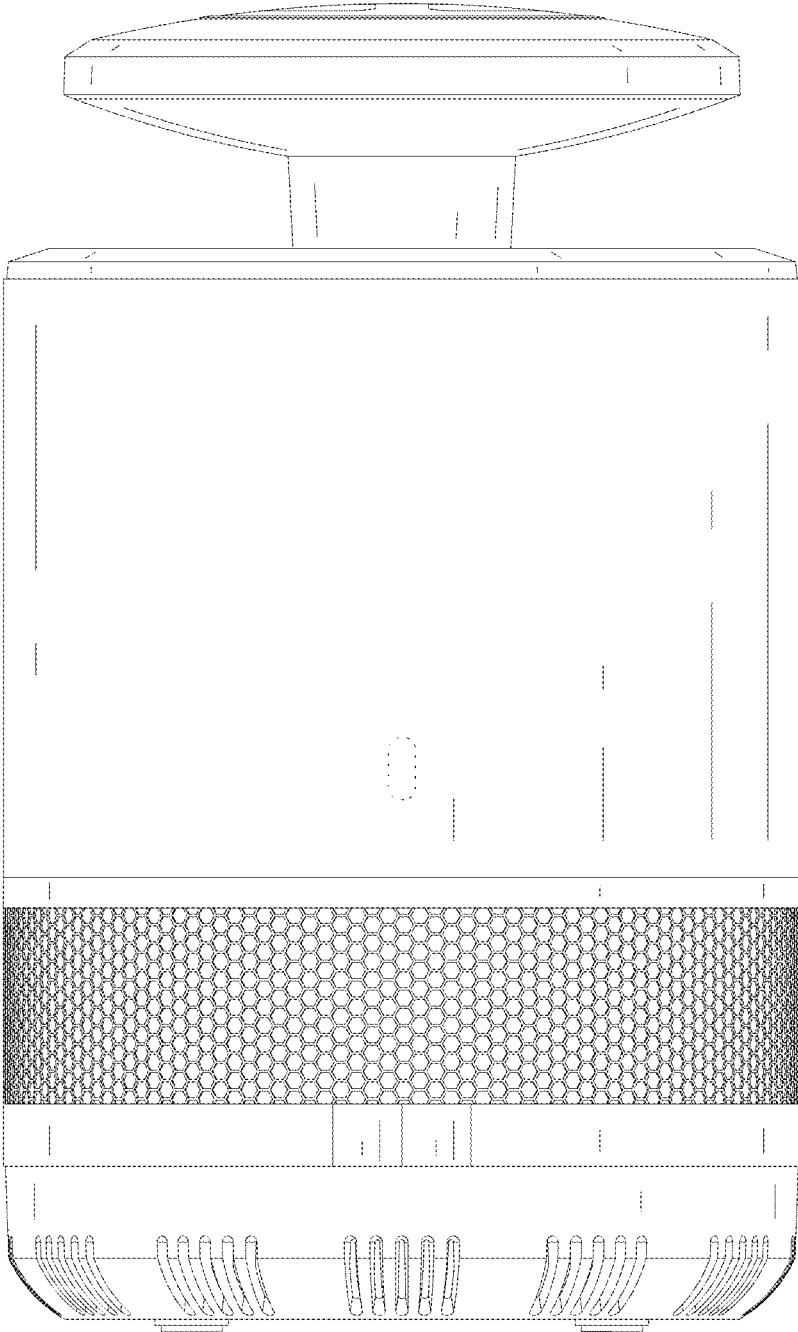


FIG. 4

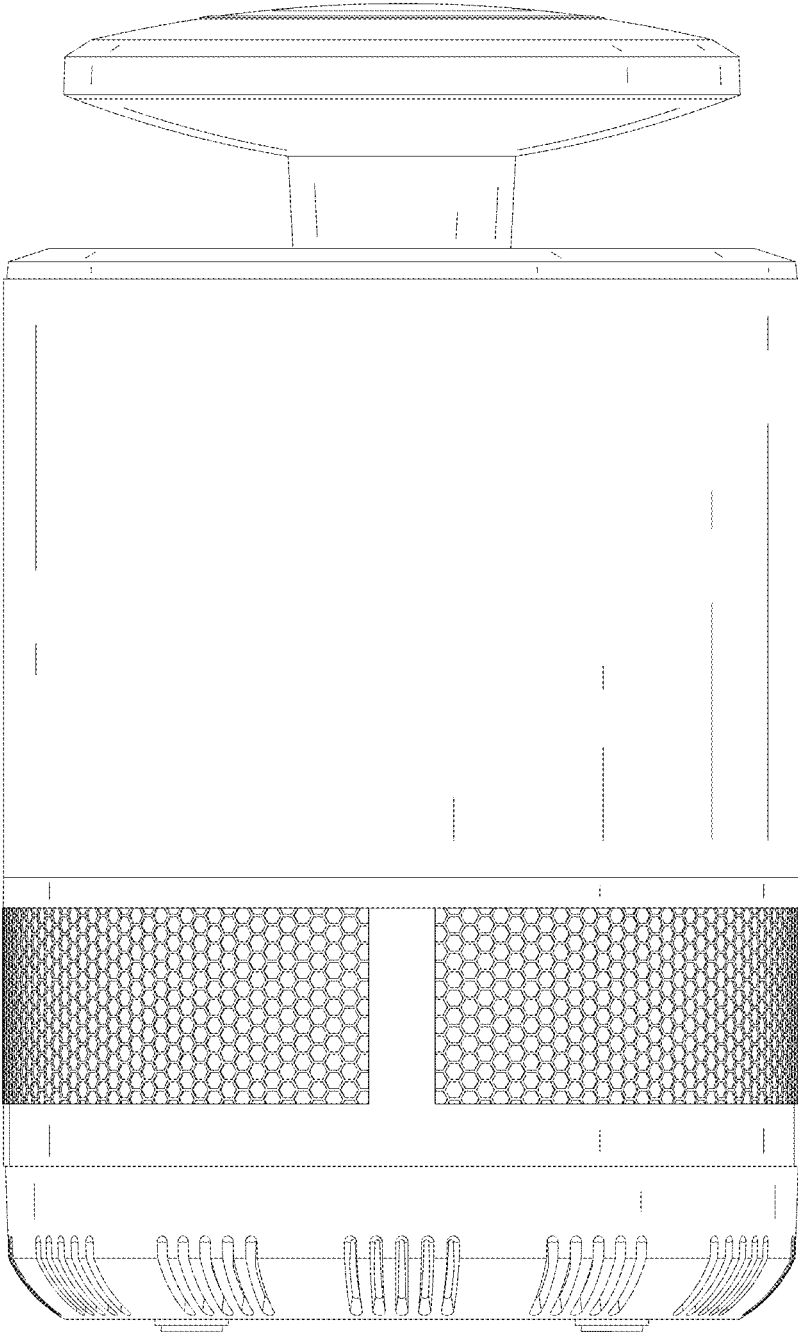


FIG. 5

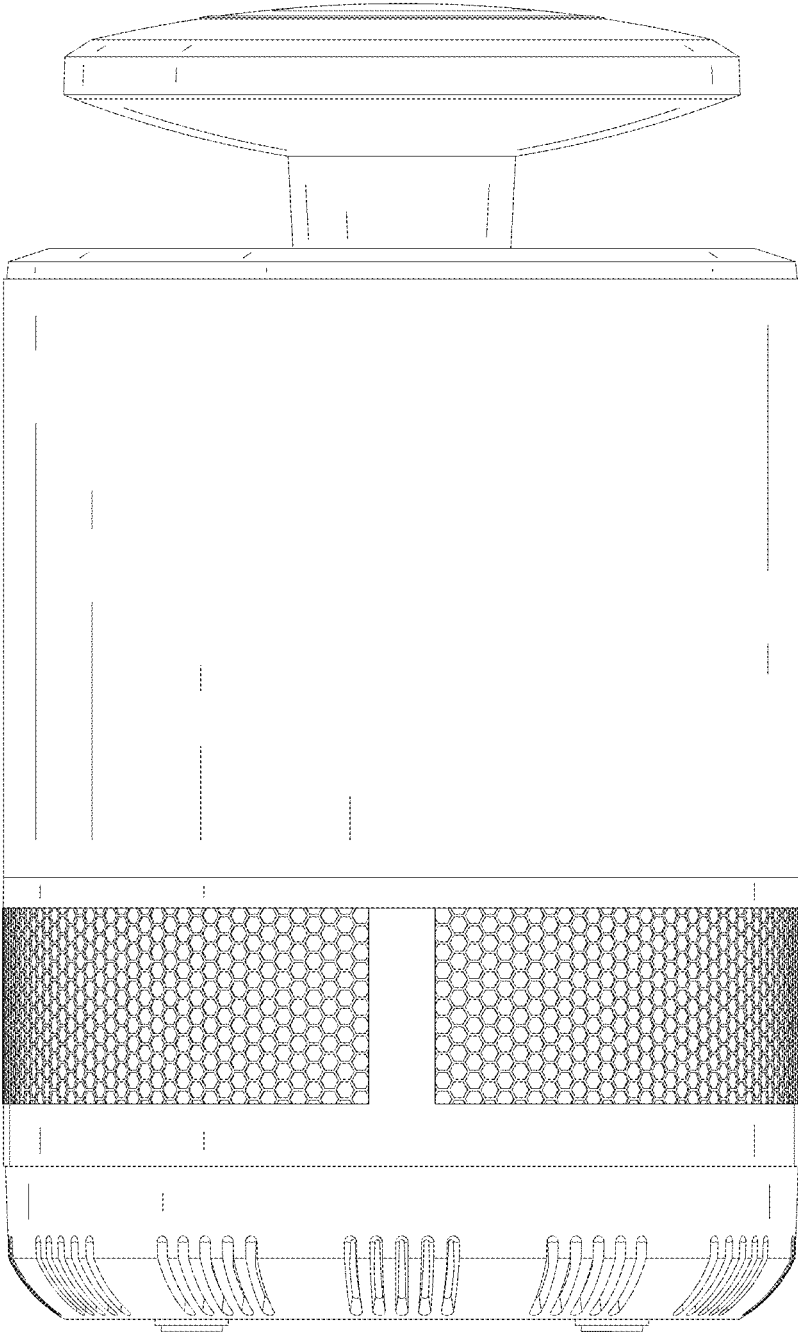


FIG. 6

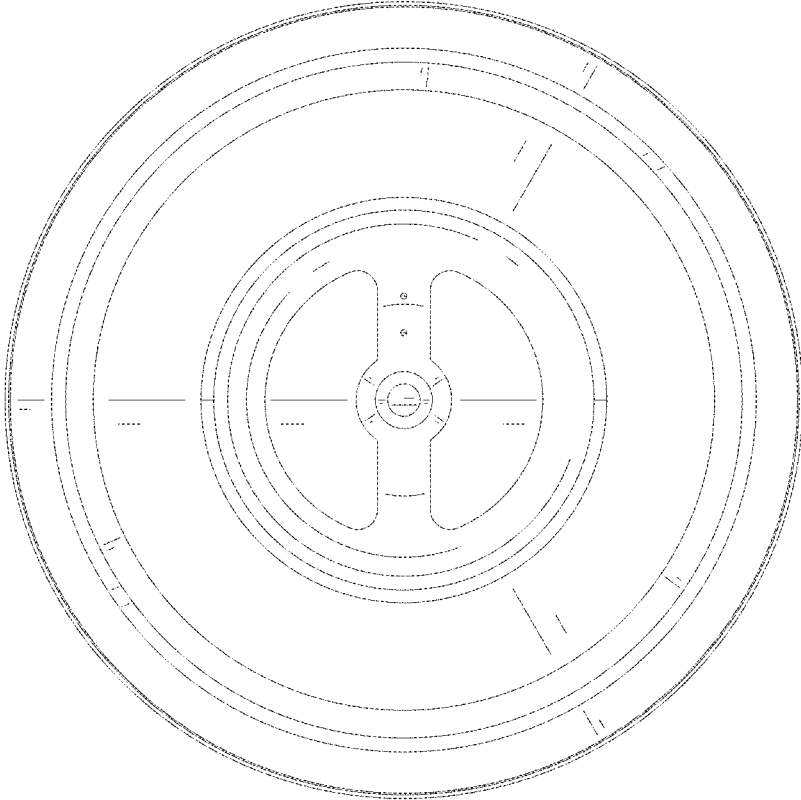


FIG. 7

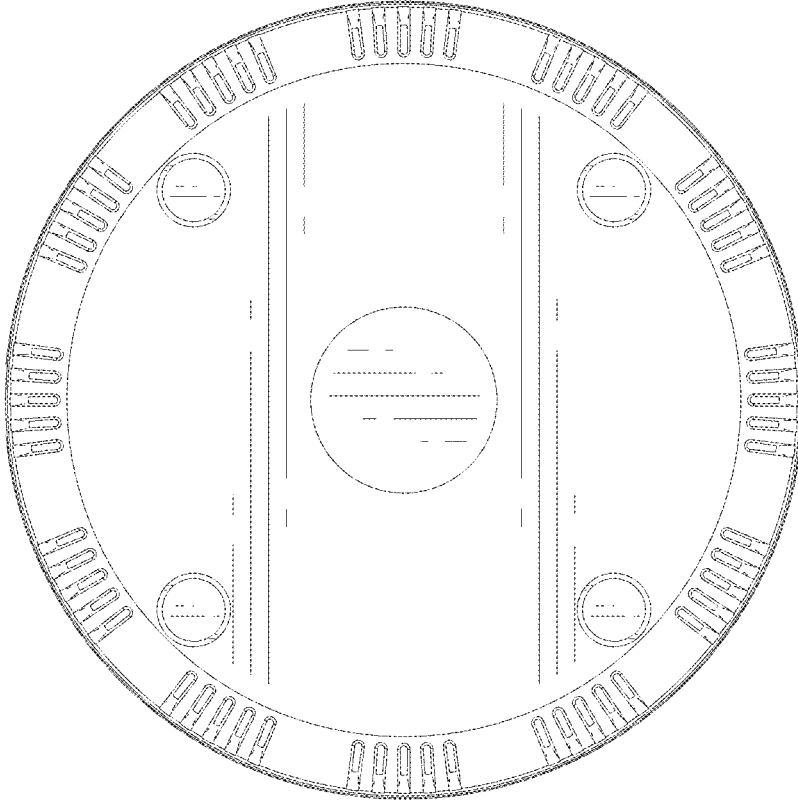


FIG. 8