



US00D412244S

**United States Patent** [19]  
**Miyahara**

[11] **Patent Number: Des. 412,244**  
[45] **Date of Patent: \*\* Jul. 27, 1999**

[54] **CASE FOR CAMERA**  
[75] Inventor: **Kazuhiko Miyahara**, Yokohama, Japan  
[73] Assignee: **Canon Kabushiki Kaisha**, Tokyo, Japan  
[\*\*] Term: **14 Years**

D. 281,644	12/1985	Akabane	.....	D3/267
D. 310,298	9/1990	Fukushima	.....	D3/267
D. 361,428	8/1995	Akabane et al.	.....	D3/267
4,000,769	1/1977	Katz	.....	206/316.2
4,131,147	12/1978	Schrage	.....	206/316.2
5,101,974	4/1992	Alwitt	.....	206/316.2

[21] Appl. No.: **29/097,674**  
[22] Filed: **Dec. 11, 1998**  
[30] **Foreign Application Priority Data**  
Jun. 26, 1998 [JP] Japan ..... 10-18454

*Primary Examiner*—Celia Murphy  
*Attorney, Agent, or Firm*—Fitzpatrick, Cella, Harper & Scinto

[51] **LOC (6) Cl.** ..... **03-01**  
[52] **U.S. Cl.** ..... **D3/267; D2/263**  
[58] **Field of Search** ..... D3/215, 218, 263,  
D3/267, 268, 219; D16/130, 136, 208,  
211; 206/316.2; 224/908

**CLAIM**

[57] The ornamental design for a case for camera, as shown and described.

**DESCRIPTION**

[56] **References Cited**  
**U.S. PATENT DOCUMENTS**

FIG. 1 is a front view of a case for camera showing my new design;  
FIG. 2 is a rear view thereof;  
FIG. 3 is a top plan view thereof;  
FIG. 4 is a bottom plan view thereof;  
FIG. 5 is a left side view thereof;  
FIG. 6 is a right side view thereof; and,  
FIG. 7 is a perspective view thereof.  
The broken lines shown throughout the views are understood to represent conventional stitching.

D. 247,760	4/1978	Rausch	.....	D3/267
D. 271,822	12/1983	Clancy	.....	D3/267
D. 276,573	12/1984	Yamamoto et al.	.....	D3/267

**1 Claim, 4 Drawing Sheets**

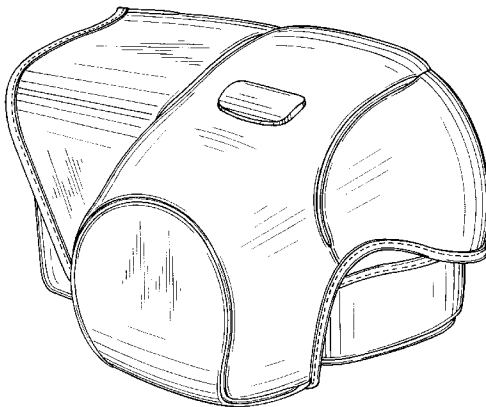
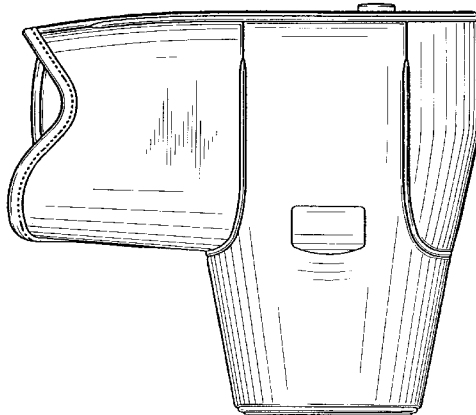


FIG. 1

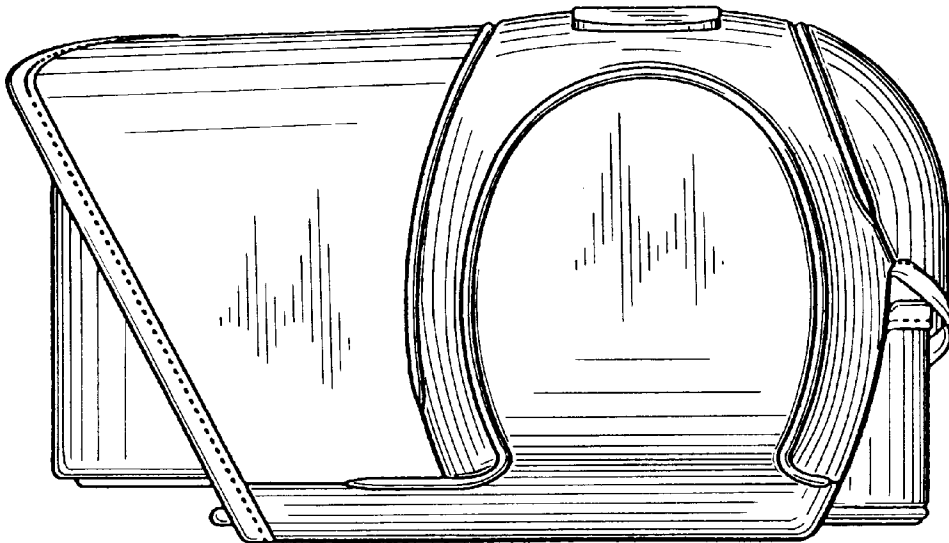


FIG. 2

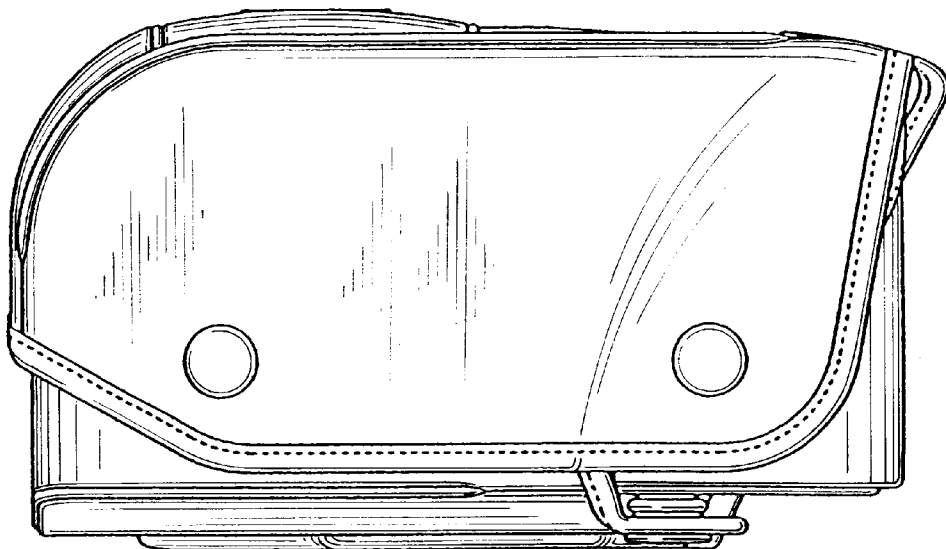


FIG. 3

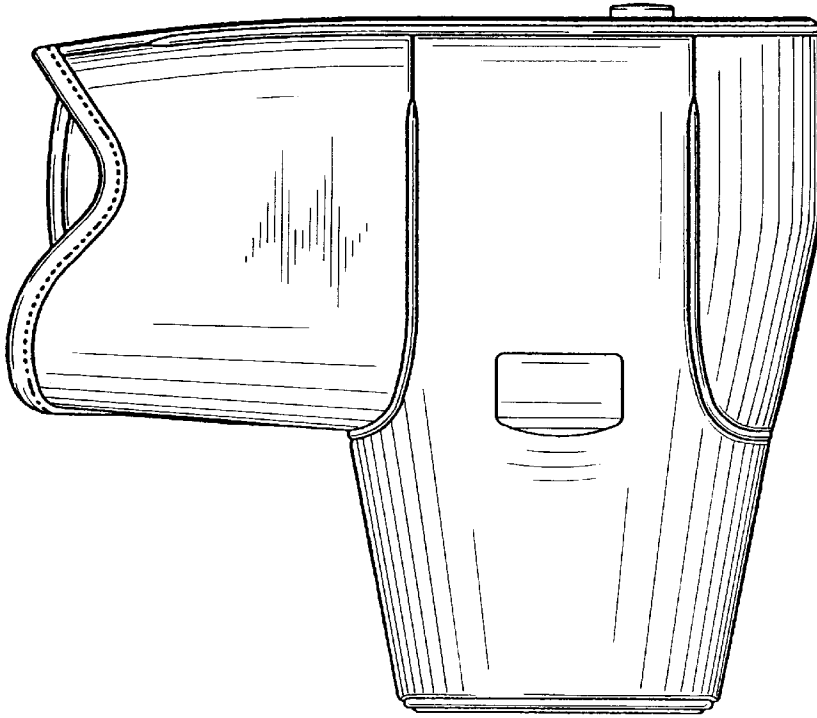
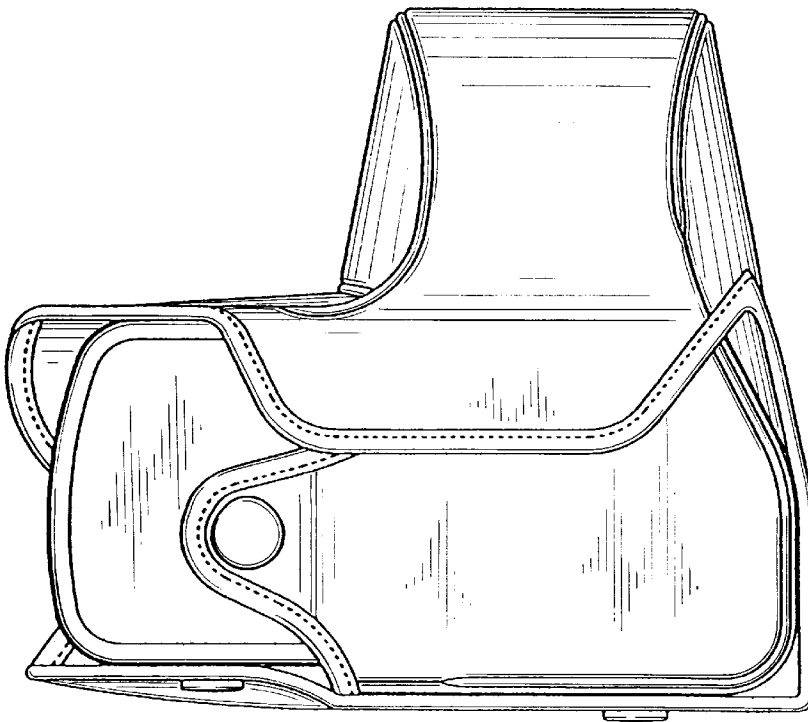
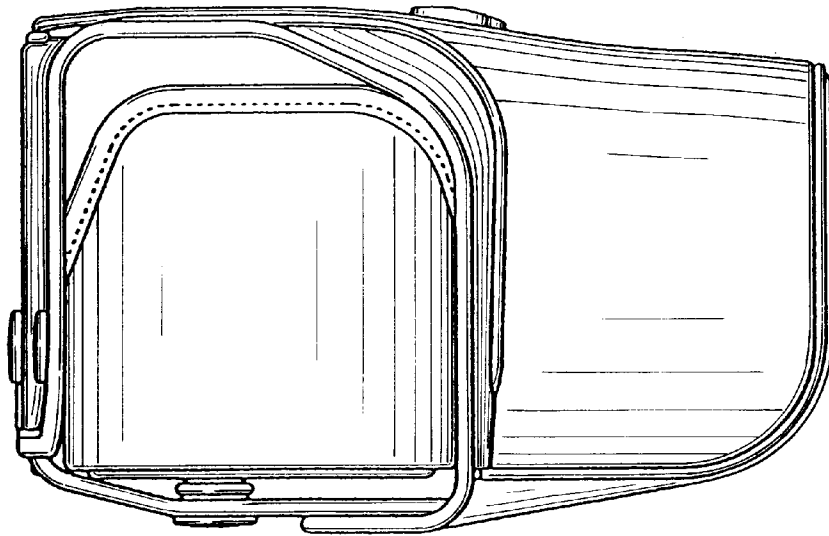


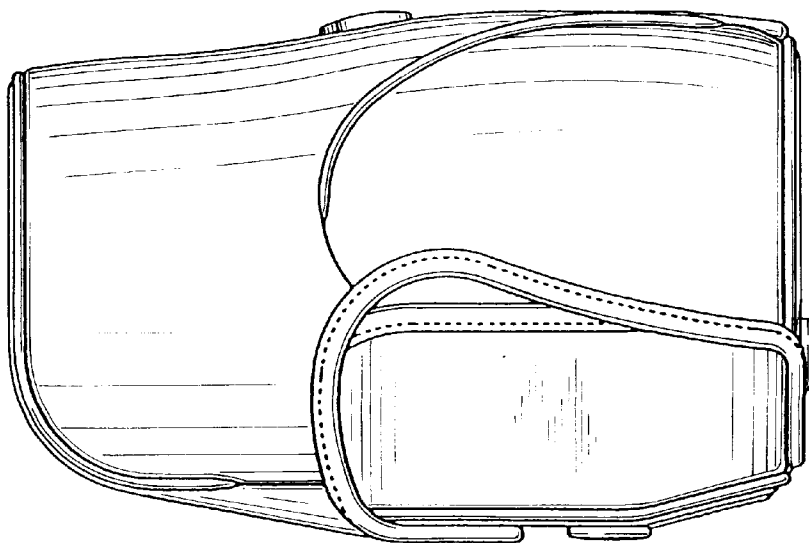
FIG. 4



*FIG. 5*



*FIG. 6*



*FIG. 7*

