



US00D546118S

(12) **United States Design Patent** (10) **Patent No.:** **US D546,118 S**
Sands (45) **Date of Patent:** **** Jul. 10, 2007**

- (54) **PORTABLE BLENDER** D318,398 S * 7/1991 Disco D7/378
- (75) Inventor: **Lenny Sands**, Encino, CA (US) D372,835 S * 8/1996 Leverrier D7/372
- (73) Assignee: **Homeland Housewares, LLC**, Los Angeles, CA (US) 5,636,923 A 6/1997 Nejat-Bina
- (**) Term: **14 Years** 5,720,552 A 2/1998 Schindlegger
- (21) Appl. No.: **29/269,286** 5,863,118 A 1/1999 Ackels et al.
- (22) Filed: **Nov. 28, 2006** D422,208 S 4/2000 Brose
- D423,872 S 5/2000 Blaise
- D441,370 S * 2/2001 Kubicz
- D445,634 S 5/2001 Alviar D14/413
- D446,995 S 7/2001 Feil
- D487,668 S 8/2001 Porsche et al.
- 6,817,750 B1 3/2004 Sands
- D499,603 S 11/2004 Sands
- 12/2004 Nikkhab

Related U.S. Application Data

(63) Continuation of application No. 29/253,225, filed on Feb. 2, 2006, now Pat. No. Des. 532,648.

- (51) **LOC (8) CL.** **31-00**
- (52) **U.S. CL.** **D7/376**
- (58) **Field of Classification Search** D7/300.1, D7/372-386, 412, 413, 665; D14/413; 74/16; 99/509-511; 241/30, 33, 37.5, 101.01, 101.02, 241/282.1-282.2, 285.1-285.3, 291, 292.1, 241/301; 366/64-67, 98, 100, 129, 197-201, 366/205-207, 219-221, 241-254, 279-292, 366/325.94, 330.4, 341-343

See application file for complete search history.

References Cited

- (56) **U.S. PATENT DOCUMENTS**
- D114,673 S * 5/1939 Cravaritis D7/300.1
- D121,136 S * 6/1940 Benson D7/378
- D173,548 S * 11/1954 Talge D7/374
- D179,382 S * 12/1956 Danin D7/378
- 2,795,958 A * 6/1957 Frank 74/16
- 2,920,875 A 1/1960 Marfuggi
- D195,073 S 4/1963 Freedman
- 3,504,816 A 4/1970 Weichsel
- 3,627,008 A 12/1971 Samuelian
- 3,704,864 A 12/1972 Lee
- D233,929 S 12/1974 Yuen
- D260,350 S 8/1981 Kahlcke
- 4,487,509 A 12/1984 Boyce
- D281,945 S 12/1985 Boyce

(Continued)

Primary Examiner—Cathron C. Brooks
Assistant Examiner—Ricky Pham
(74) *Attorney, Agent, or Firm*—Cislo & Thomas LLP

(57) **CLAIM**

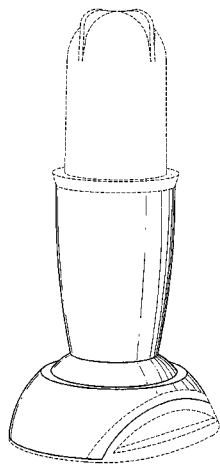
The ornamental design for a portable blender, as shown and described.

DESCRIPTION

- FIG. 1 is a perspective view of a portable blender, in accordance with the present invention.
- FIG. 2 is a rear view thereof.
- FIG. 3 is a front view thereof.
- FIG. 4 is a left side view thereof.
- FIG. 5 is a right side view thereof.
- FIG. 6 is a top view thereof; and,
- FIG. 7 is a bottom view thereof.

Any broken lines, shown throughout in the drawing figures, are included for the purpose of illustrating environmental structures only and form no part of the claimed design.

1 Claim, 4 Drawing Sheets



US D546,118 S

Page 2

U.S. PATENT DOCUMENTS							
D501,756 S *	2/2005	Nikkhah	D7/413	2004/0173105 A1	9/2004	Kim et al.	
D501,759 S	2/2005	Sands		2005/0047272 A1 *	3/2005	Sands	366/199
D518,994 S *	4/2006	Lin	D7/378	2005/0068847 A1	3/2005	Sands	
D530,975 S *	10/2006	Fernandez	D7/378	2005/0122837 A1	6/2005	Bravard et al.	
D532,648 S *	11/2006	Sands	D7/376	2005/0229795 A1	10/2005	Stuckey	

* cited by examiner

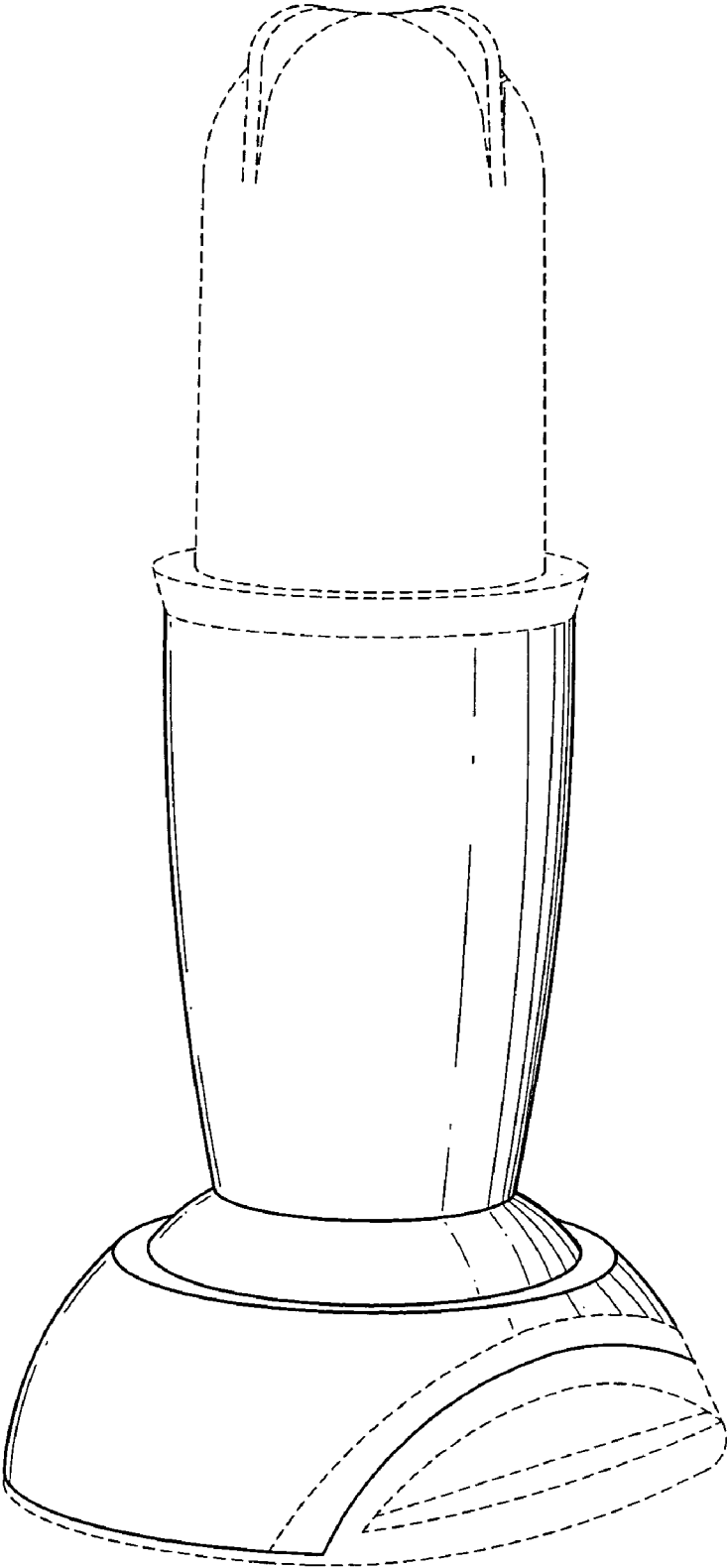


FIG. 1

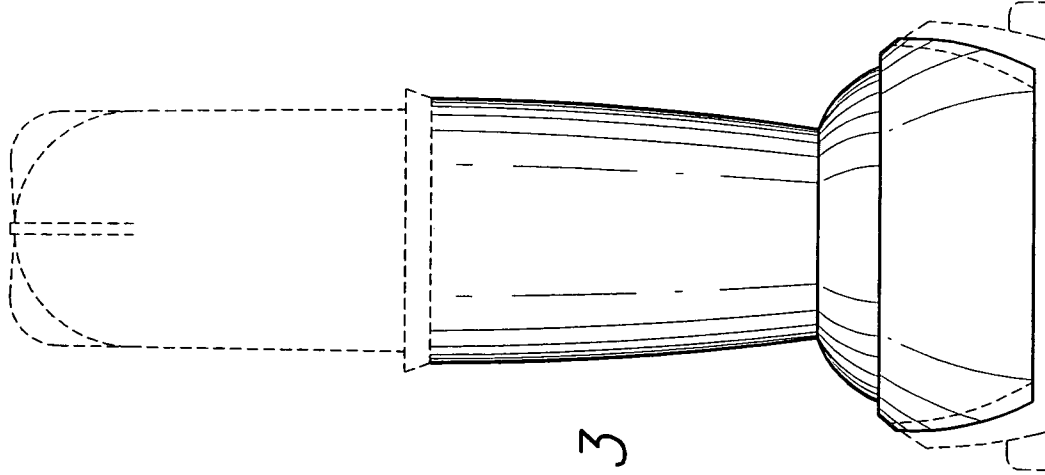


FIG. 3

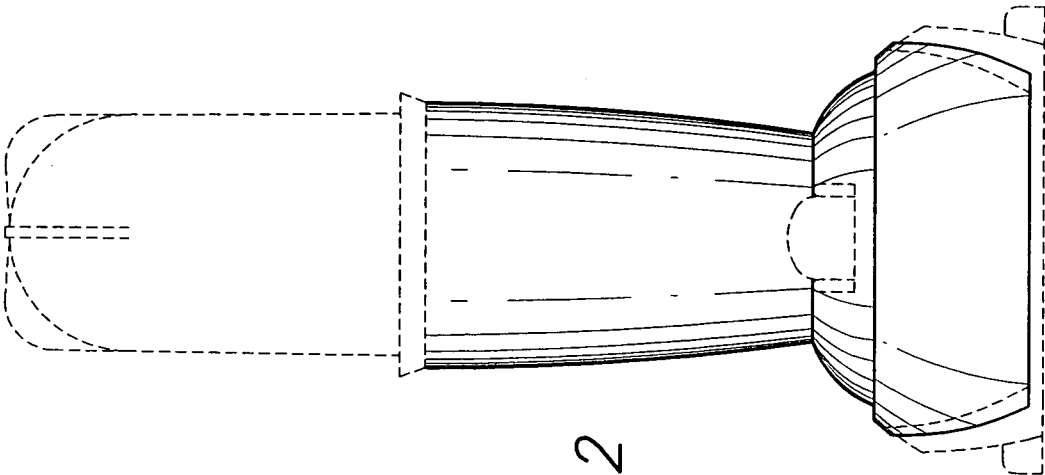


FIG. 2

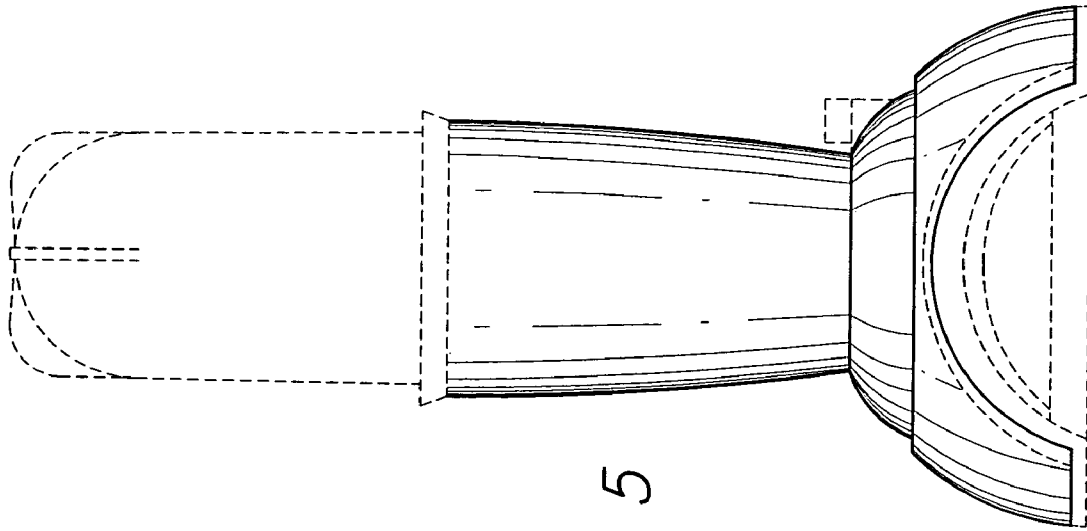


FIG. 5

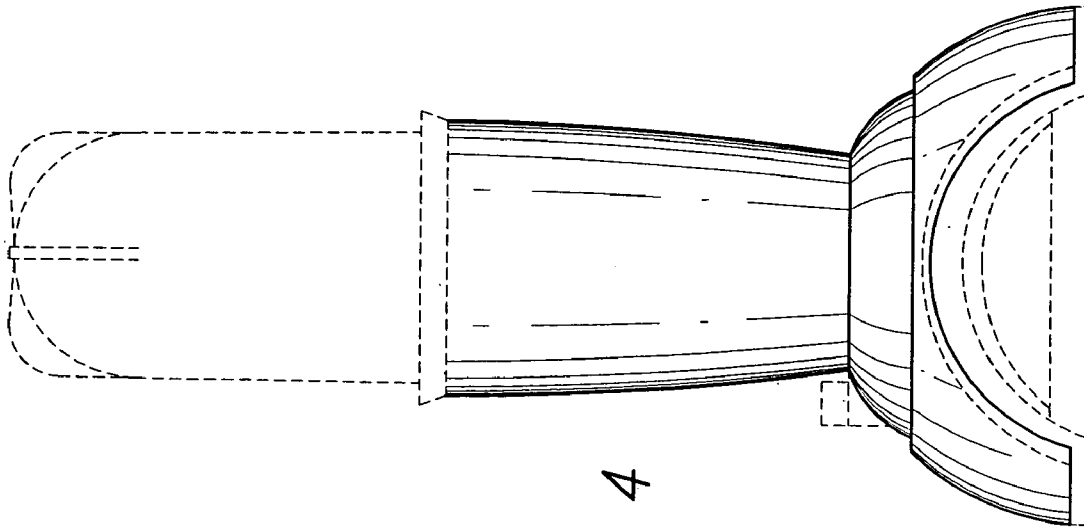


FIG. 4

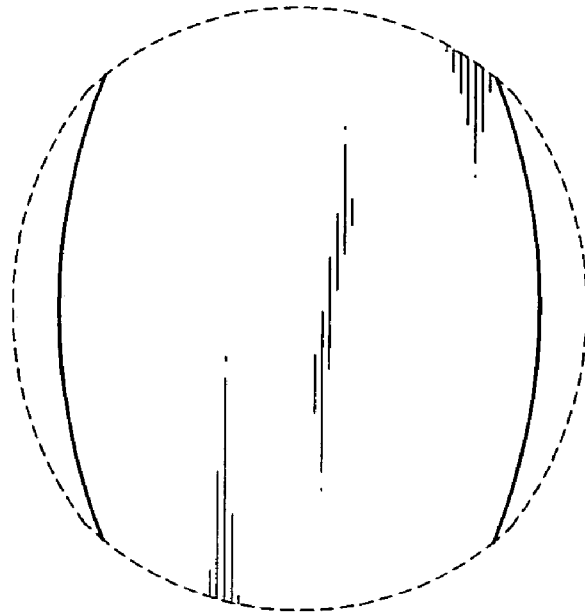


FIG. 7

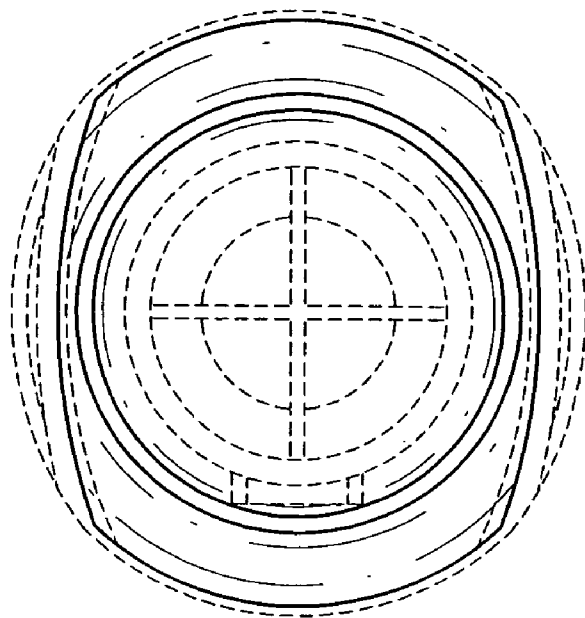


FIG. 6