



US00D702172S

(12) **United States Design Patent**
Chung

(10) **Patent No.:** **US D702,172 S**

(45) **Date of Patent:** **** Apr. 8, 2014**

(54) **WHEEL**

(71) Applicant: **Wheel Pros, LLC**, Lakewood, CO (US)

(72) Inventor: **Suny Chung**, Yorba Linda, CA (US)

(73) Assignee: **Wheel Pros, LLC**, Greenwood Village, CO (US)

(**) Term: **14 Years**

(21) Appl. No.: **29/435,797**

(22) Filed: **Oct. 29, 2012**

(51) **LOC (10) Cl.** **12-16**

(52) **U.S. Cl.**
USPC **D12/211**

(58) **Field of Classification Search**
USPC D12/204-213; 301/37.101, 64.101, 65,
301/64.201

See application file for complete search history.

(56) **References Cited**

U.S. PATENT DOCUMENTS

D570,276 S *	6/2008	Chung	D12/211
D615,917 S *	5/2010	Zhao	D12/211
D625,242 S *	10/2010	Zhao	D12/211
D659,069 S *	5/2012	Johnson	D12/211
D681,536 S *	5/2013	Zhao	D12/211

* cited by examiner

Primary Examiner — Stacia Cadmus

(74) *Attorney, Agent, or Firm* — Garcia-Zamor IP Law; Ruy M. Garcia-Zamor

(57) **CLAIM**

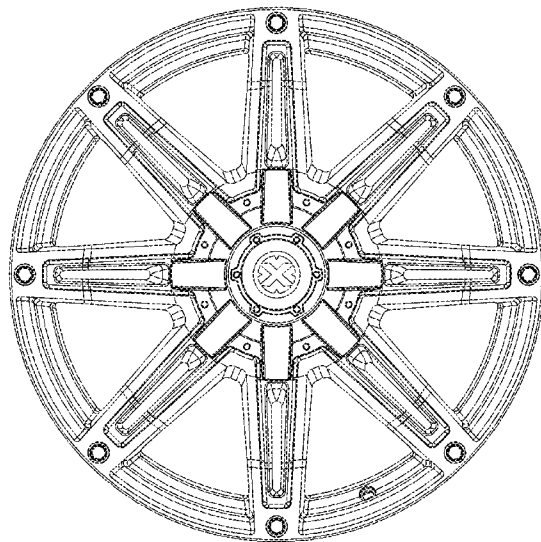
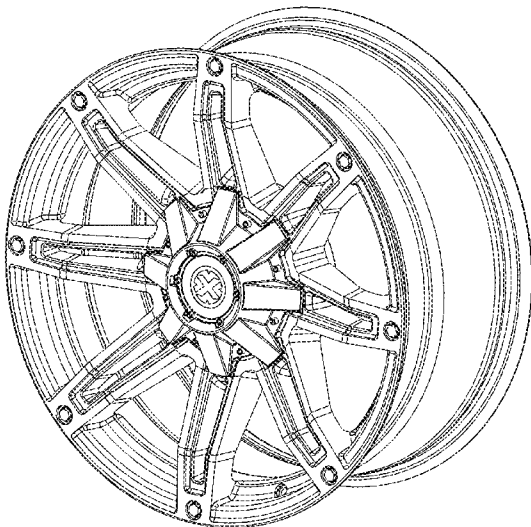
I claim the ornamental designs for a wheel, as shown and described.

DESCRIPTION

FIG. 1 is a perspective view of a wheel according to my new design; and,

FIG. 2 is a front elevational view of the wheel of FIG. 1, those features not shown in the views of FIGS. 1 and 2 are disclaimed as forming no part of the claimed design.

1 Claim, 2 Drawing Sheets



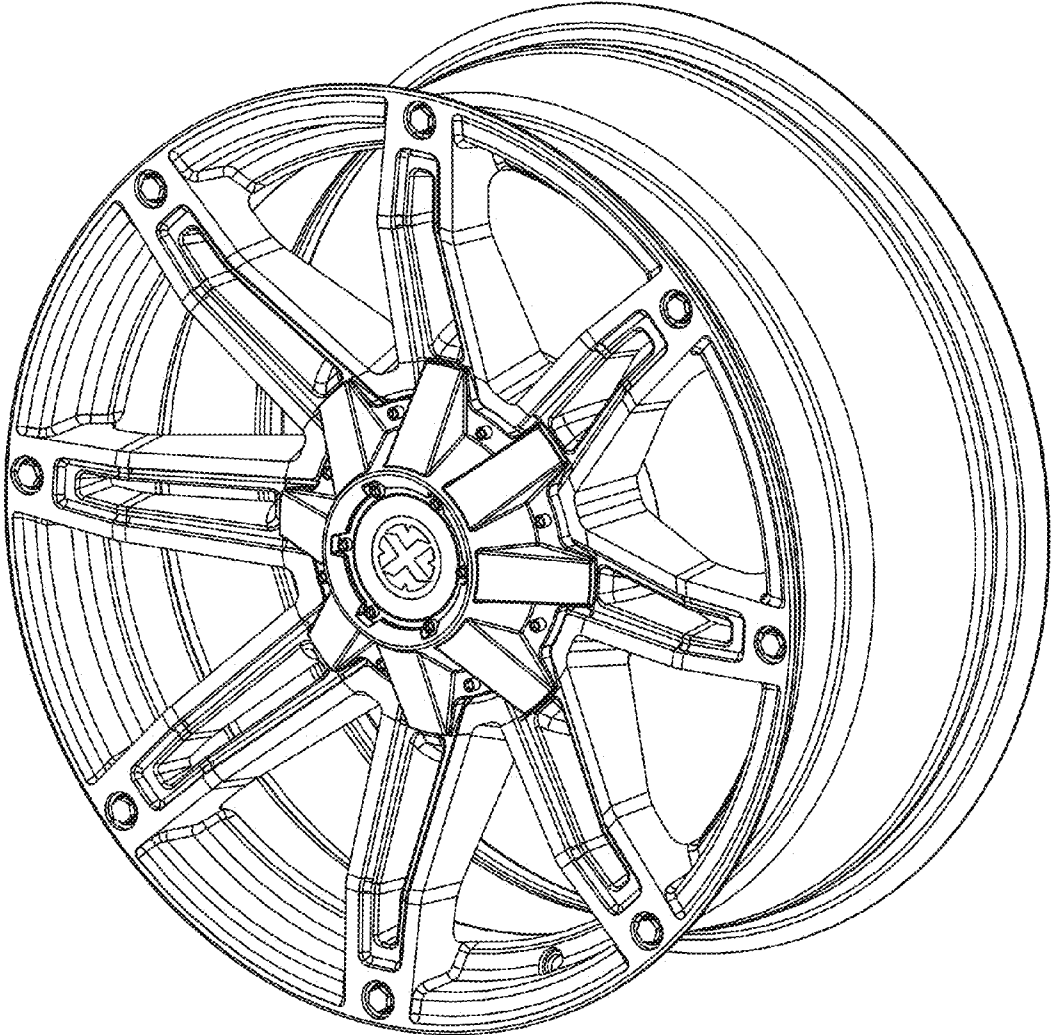


FIG. 1

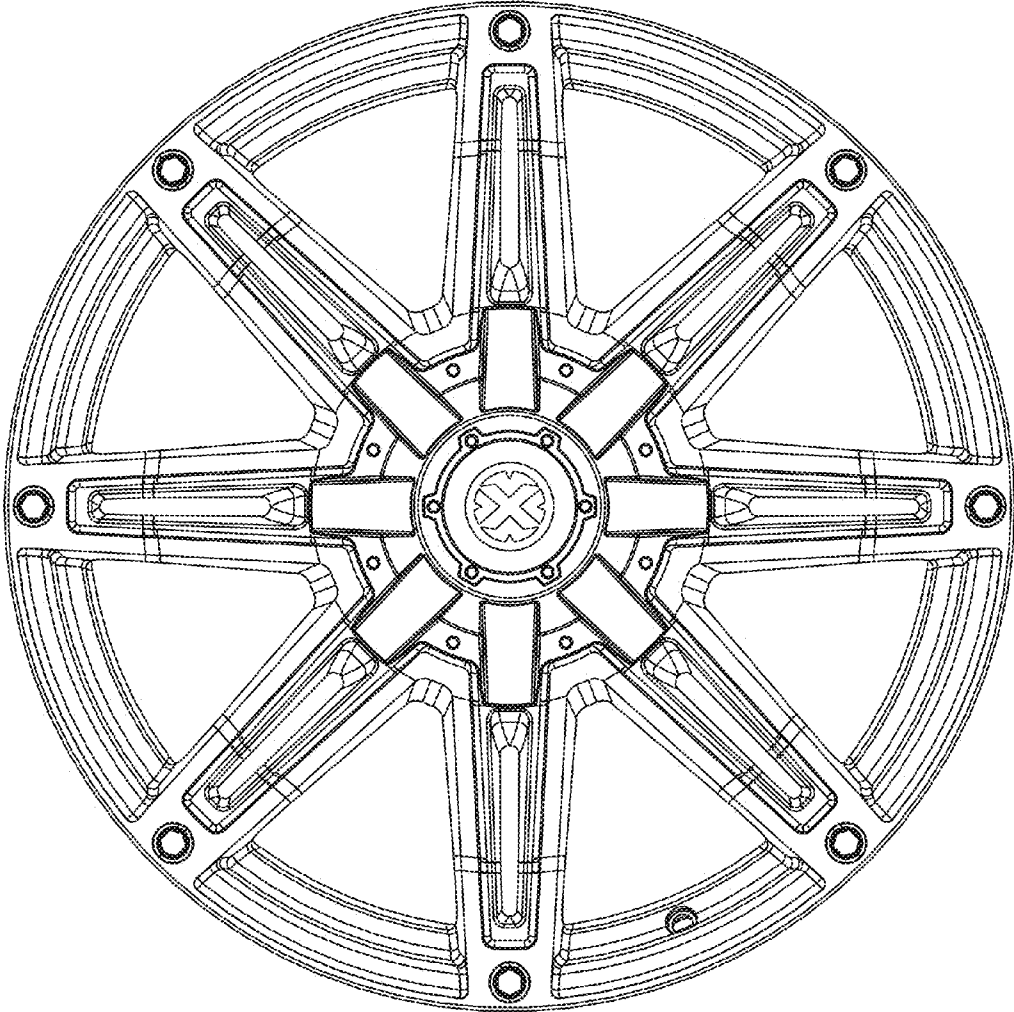


FIG. 2