



US0D1009223S

(12) **United States Design Patent**
Stoler

(10) **Patent No.:** **US D1,009,223 S**

(45) **Date of Patent:** **** Dec. 26, 2023**

(54) **FAUCET BODY**

D970,697 S * 11/2022 Yang D23/238
D987,040 S * 5/2023 Chen D23/238

(71) Applicant: **DELTA FAUCET COMPANY,**
Indianapolis, IN (US)

* cited by examiner

(72) Inventor: **Benjamin Stoler,** Carmel, IN (US)

Primary Examiner — Robert A Delehanty

(73) Assignee: **DELTA FAUCET COMPANY,**
Indianapolis, IN (US)

(74) *Attorney, Agent, or Firm* — Jeffrey L. Doyle

(**) Term: **15 Years**

(57) **CLAIM**

(21) Appl. No.: **29/817,572**

The ornamental design for a faucet body, as shown and described.

(22) Filed: **Dec. 2, 2021**

(51) **LOC (14) Cl.** **23-01**

(52) **U.S. Cl.**
USPC **D23/238**

(58) **Field of Classification Search**

USPC D23/238–242, 249, 255, 257

CPC E03C 1/04; E03C 1/0404; E03C 1/042;

E03C 2001/0415; Y10T 137/9464

See application file for complete search history.

DESCRIPTION

FIG. 1 is a front perspective view of a faucet body showing our new design;

FIG. 2 is a rear perspective view thereof.

FIG. 3 is a front elevational view thereof;

FIG. 4 is a left side view thereof;

FIG. 5 is a rear view thereof;

FIG. 6 is a right side view thereof; and,

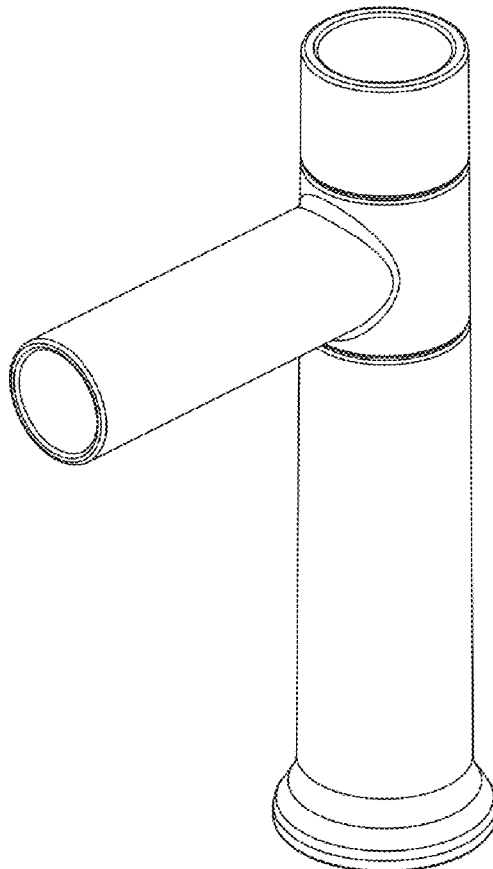
FIG. 7 is a top plan view thereof.

(56) **References Cited**

U.S. PATENT DOCUMENTS

D572,798 S * 7/2008 Bickler D23/238
D954,185 S * 6/2022 Lazarini D23/238

1 Claim, 4 Drawing Sheets



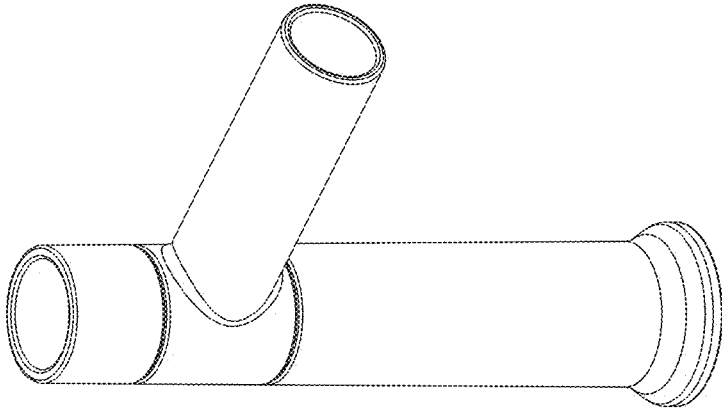


Fig. 2

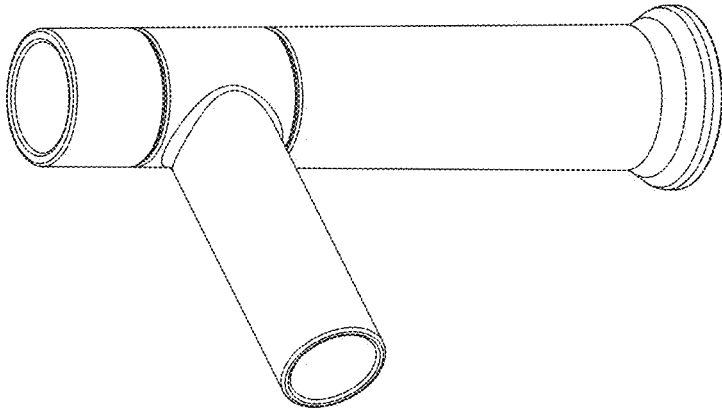


Fig. 1

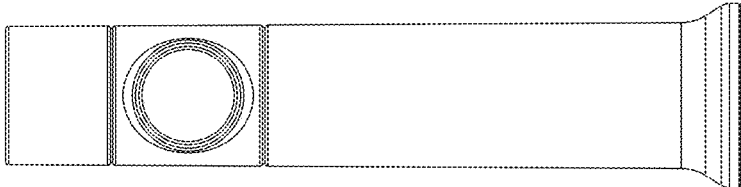


Fig. 4

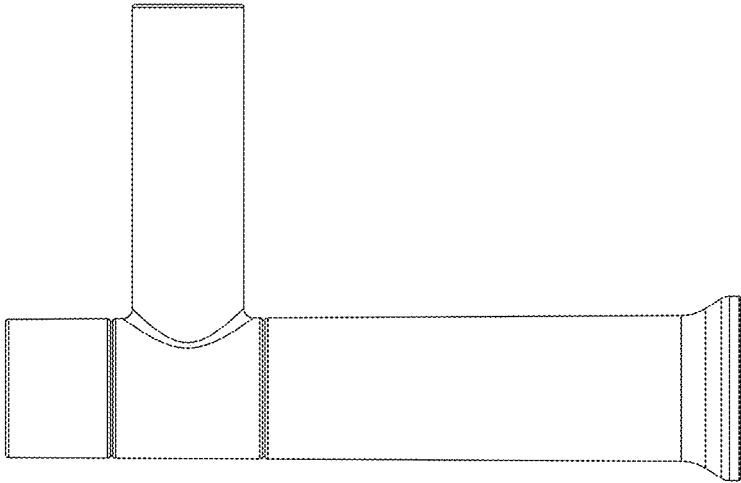


Fig. 3

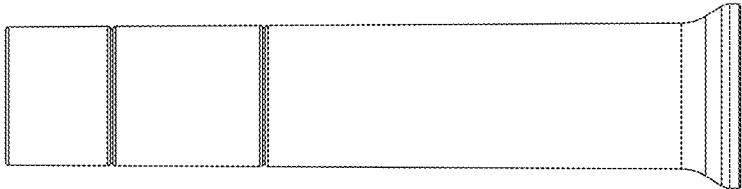


Fig. 6

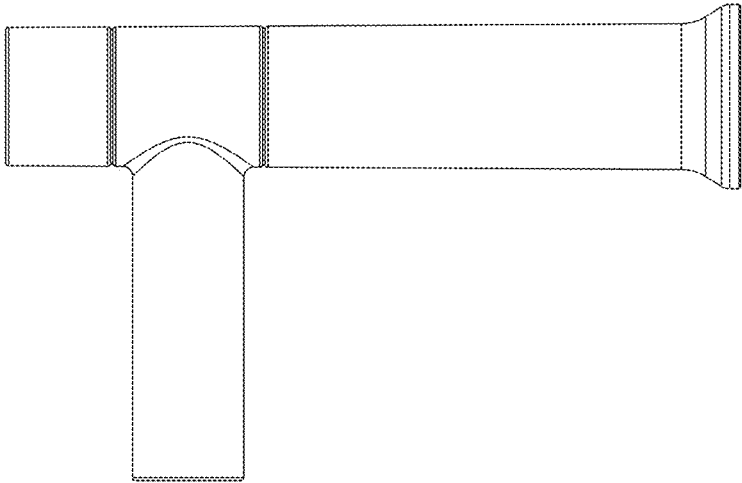


Fig. 5

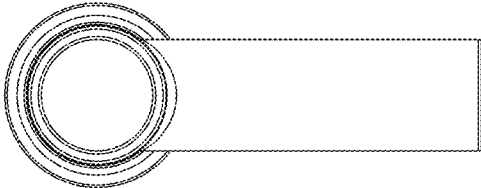


Fig. 7