



(12) **United States Design Patent**  
**Zhang**

(10) **Patent No.:** **US D809,060 S**  
(45) **Date of Patent:** **\*\* Jan. 30, 2018**

- (54) **CAP HOLDER FOR STYLUS PENCIL**
- (71) Applicant: **Zhiguang Zhang**, Guangzhou (CN)
- (72) Inventor: **Zhiguang Zhang**, Guangzhou (CN)
- (\*\*) Term: **15 Years**
- (21) Appl. No.: **29/566,379**
- (22) Filed: **May 28, 2016**
- (51) **LOC (11) Cl.** ..... **19-06**
- (52) **U.S. Cl.**  
USPC ..... **D19/194**
- (58) **Field of Classification Search**  
USPC ..... D9/436, 446, 723; D14/411;  
D19/115-204, 81-85, 66, 70, 71  
CPC ... B43K 5/00; B43K 7/00; B43K 7/12; B43K  
8/04; B43K 8/06; B43K 19/00; B43K  
19/02; B43K 19/14; B43K 24/08  
See application file for complete search history.

D318,427 S *	7/1991	Sherburne, Jr. ....	215/388
5,044,512 A *	9/1991	Giancaspro .....	A47G 19/2222 215/306
D324,824 S *	3/1992	Hansen .....	215/388
D327,848 S *	7/1992	Hanover .....	215/388
5,590,971 A *	1/1997	Melnick .....	B43K 23/122 401/202
D385,914 S *	11/1997	Shimizu .....	D19/173
D389,188 S *	1/1998	Conforti .....	401/202
5,733,448 A *	3/1998	Kaura .....	C02F 1/003 210/238
6,010,034 A *	1/2000	Walthers .....	A47G 19/2266 222/129

(Continued)

*Primary Examiner* — Elizabeth Albert  
(74) *Attorney, Agent, or Firm* — Novoclaims Patent  
Services LLC; Mei Lin Wong

(57) **CLAIM**

The ornamental design for a cap holder for stylus pencil, as shown and described.

(56) **References Cited**

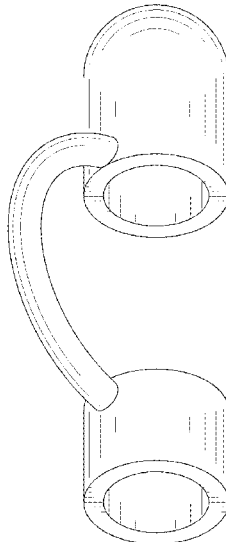
U.S. PATENT DOCUMENTS

1,244,974 A *	10/1917	Gerdom .....	B43K 1/08 401/216
1,423,448 A *	7/1922	O'Connor .....	401/202
1,464,214 A *	8/1923	Ollerenshaw .....	B43M 11/06 401/264
1,509,008 A *	9/1924	Wallace .....	B43K 5/06 401/182
2,613,988 A *	10/1952	Jarbeau .....	B65D 77/283 215/388
2,884,151 A *	4/1959	Biederman .....	B65D 47/148 215/307
2,955,468 A *	10/1960	Hein, Jr. ....	G01K 5/06 215/306
D193,121 S *	6/1962	Wickman .....	D9/446
4,090,647 A *	5/1978	Dunning .....	G01F 11/082 222/543
4,298,475 A *	11/1981	Gartner .....	A47G 21/188 210/266

**DESCRIPTION**

FIG. 1 is a perspective view of a cap holder for stylus pencil showing my new design.  
 FIG. 2 is a front view thereof.  
 FIG. 3 is a rear view thereof.  
 FIG. 4 is a left end view thereof.  
 FIG. 5 is a right end view thereof.  
 FIG. 6 is a top view thereof.  
 FIG. 7 is a bottom view thereof.  
 FIG. 8 is a perspective view shown in a first position of use; and,  
 FIG. 9 is a perspective view shown in a second position of use.  
 The broken lines in the drawings represent unclaimed environmental subject matter that forms no part of the claimed design.

**1 Claim, 9 Drawing Sheets**



(56)

**References Cited**

U.S. PATENT DOCUMENTS

6,200,046 B1 \* 3/2001 Rylander ..... B43K 23/08  
401/195  
D449,092 S \* 10/2001 Brog ..... D19/194  
D528,798 S \* 9/2006 Molina ..... D3/318  
D530,857 S \* 10/2006 Black ..... D28/7  
D575,570 S \* 8/2008 Antonelli ..... D7/300.2  
D595,350 S \* 6/2009 Paz ..... D19/117  
D601,311 S \* 9/2009 DeSeguirant, Jr. .... D30/160  
D682,017 S \* 5/2013 Smiedt ..... D7/392.1  
D716,871 S \* 11/2014 Chang ..... D19/117  
D719,526 S 12/2014 Martinek  
D776,534 S \* 1/2017 Stratton ..... D7/300.2  
9,586,733 B2 \* 3/2017 Garza ..... B65D 47/14

\* cited by examiner

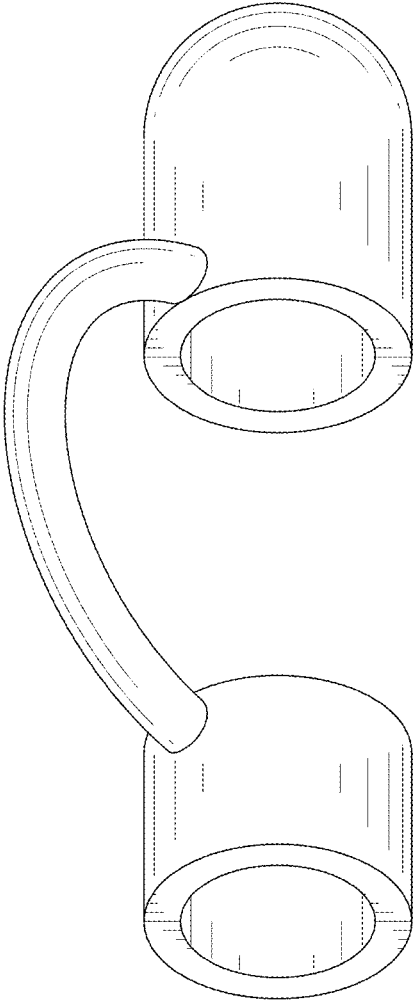


FIG. 1

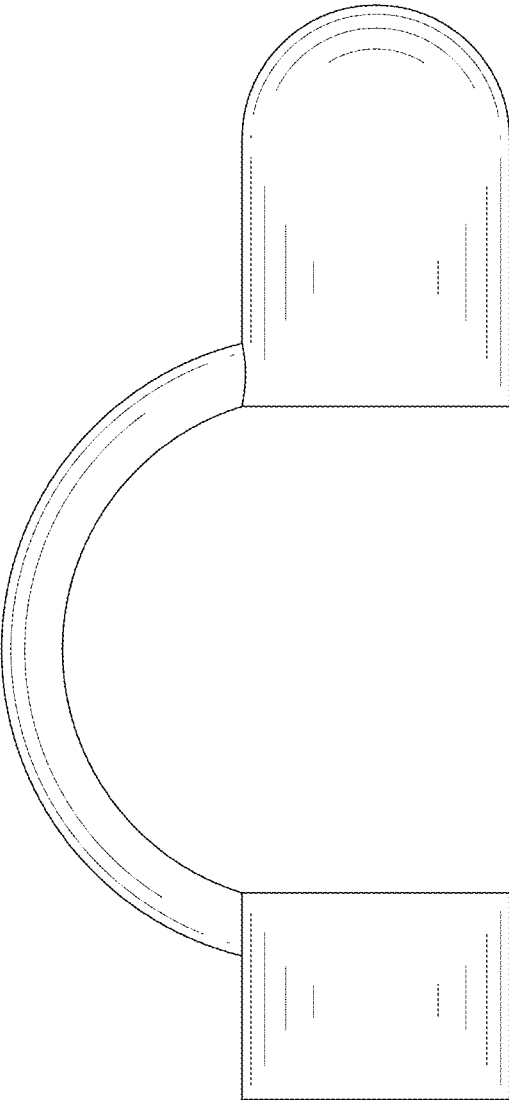


FIG.2

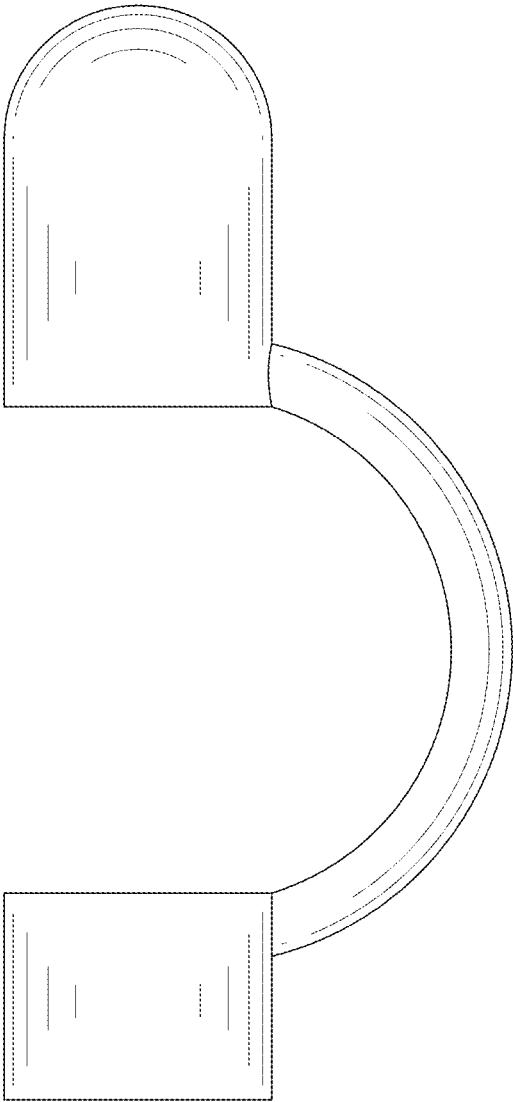


FIG.3

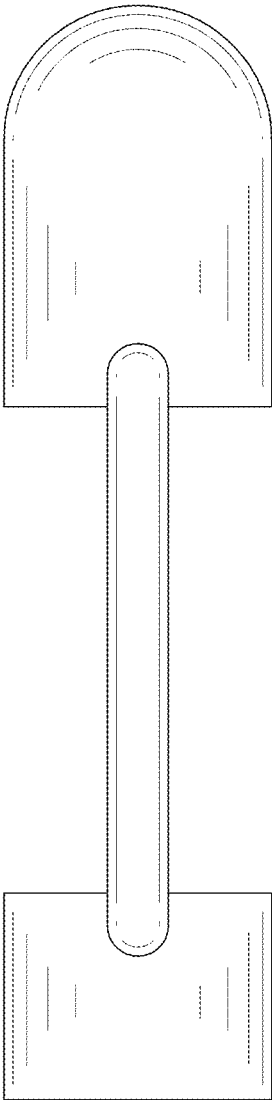


FIG.4

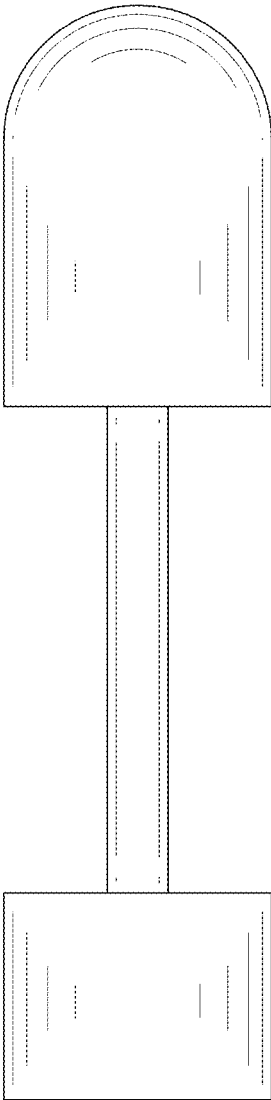


FIG.5

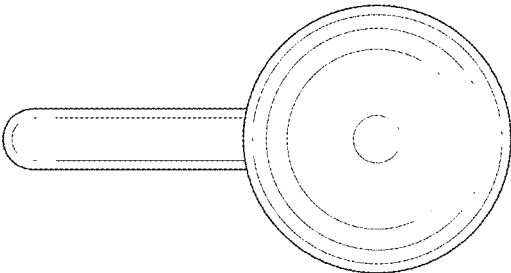


FIG.6



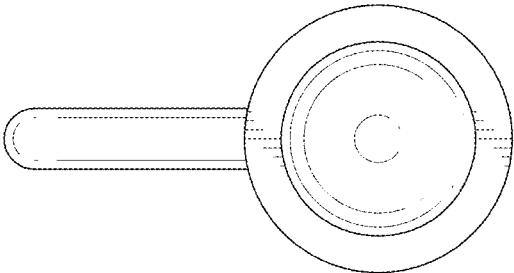


FIG. 7

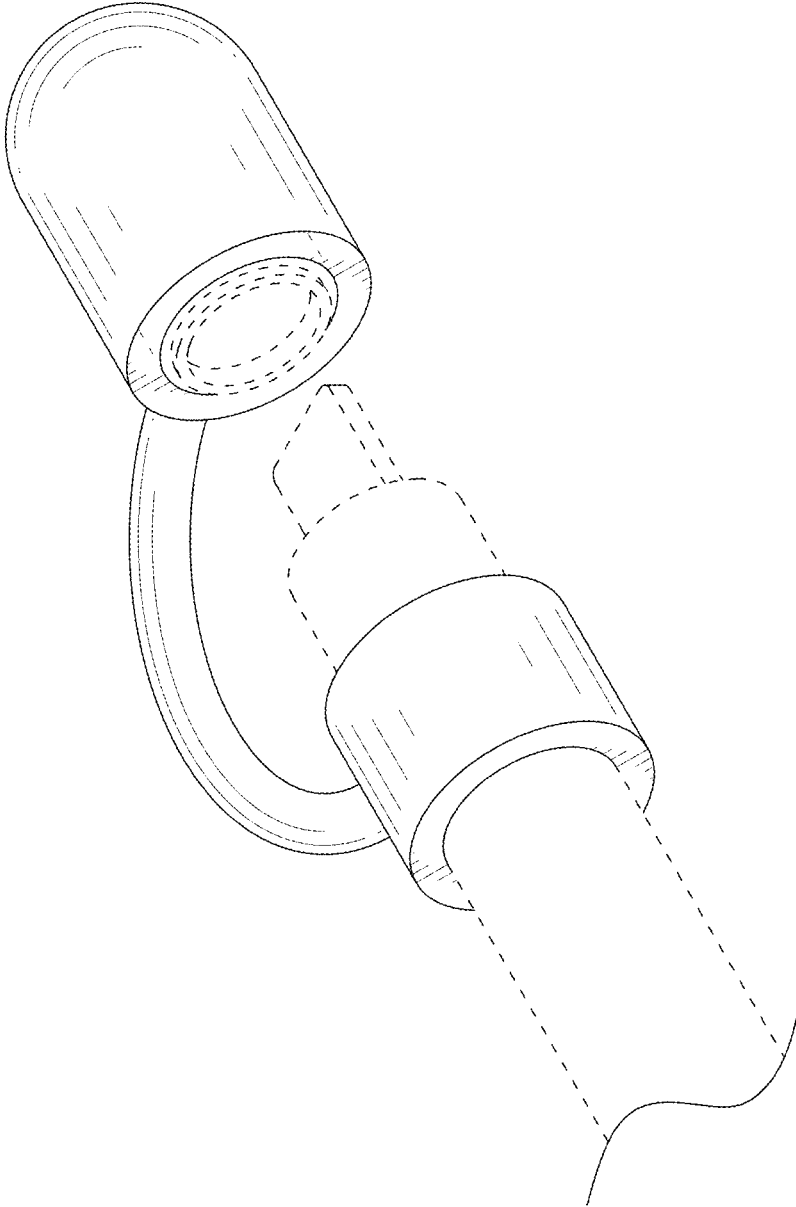


FIG.8

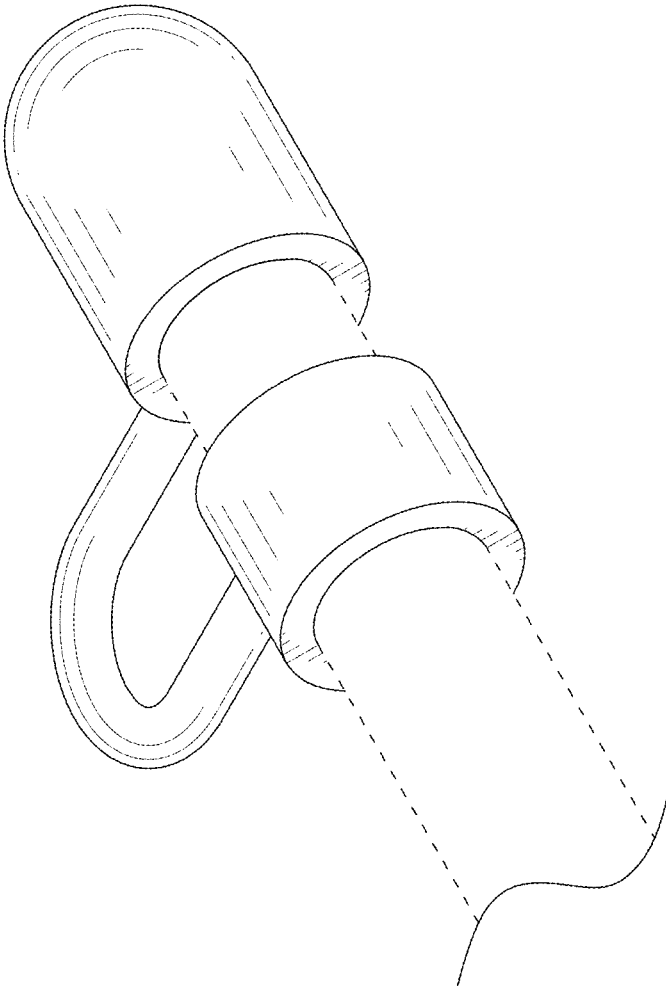


FIG.9