



US00D750426S

(12) **United States Design Patent**
Bann et al.

(10) **Patent No.:** **US D750,426 S**

(45) **Date of Patent:** **** Mar. 1, 2016**

(54) **PITCHER**

(71) Applicant: **Takeya USA Corporation**, Huntington Beach, CA (US)

(72) Inventors: **Yukio Bann**, Osaka (JP); **Sumitra Israchanpanich**, Huntington Beach, CA (US)

(73) Assignee: **Takeya USA Corporation**, Huntington Beach, CA (US)

(**) Term: **14 Years**

(21) Appl. No.: **29/488,781**

(22) Filed: **Apr. 23, 2014**

(51) **LOC (10) Cl.** **31-00**

(52) **U.S. Cl.**
USPC **D7/392**; D7/392.1; D7/393; D7/397;
D7/398

(58) **Field of Classification Search**
USPC D7/318, 319, 300, 303, 310, 311, 312,
D7/320, 314, 315, 316, 317, 321, 322, 589,
D7/590, 667, 392, 397, 399, 400, 393,
D7/392.1, 398, 509; 222/461, 146.5, 481,
222/544, 129.1, 189.06, 189.07; 99/279,
99/358, 453, 451, 287; D10/46.2
CPC A47J 27/21; A47J 27/21008; A47J
27/21041; A47J 41/00; A47J 31/005; A47J
31/06; A47J 31/00; A47J 31/24; A47J 31/14;
B65D 25/28; B65D 25/40; B65D 21/02;
G01F 19/00

See application file for complete search history.

(56) **References Cited**

U.S. PATENT DOCUMENTS

2,055,096 A 10/1932 Dehn et al.
D157,795 S 3/1950 Schwarz
D192,642 S * 4/1962 Douglas D7/317
3,174,424 A * 3/1965 Serio 99/299

D214,392 S * 6/1969 Gulotta D7/316
3,463,947 A 8/1969 Taylor
D215,471 S * 10/1969 Gulotta D7/317
D216,370 S 12/1969 Tsoo-Hing et al.
D221,796 S * 9/1971 Greger D7/317
D225,365 S * 12/1972 Beckman D7/317
3,844,450 A 10/1974 Johnson

(Continued)

FOREIGN PATENT DOCUMENTS

CN 201658143 12/2010
JP 8310531 11/1996
JP 11075693 3/1999

OTHER PUBLICATIONS

<http://www.forsmallhands.com/glass-pitcher-with-lid> Glass Pitcher with lid Dec. 21, 2013.*

(Continued)

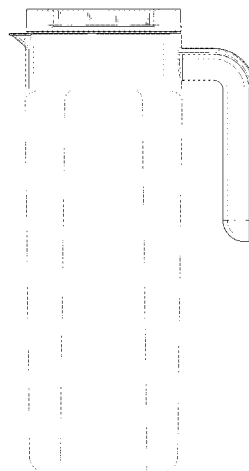
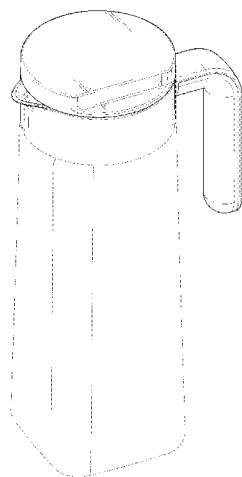
Primary Examiner — Marianne Pandozzi
Assistant Examiner — Jae Liang
(74) *Attorney, Agent, or Firm* — Klein, O'Neill & Singh, LLP

(57) **CLAIM**
The ornamental design for a pitcher, as shown and described.

DESCRIPTION

FIG. 1 is a top, front and side perspective view of a first embodiment of a pitcher embodying the new design.
FIG. 2 is a side view thereof.
FIG. 3 is a side view thereof.
FIG. 4 is a rear view thereof.
FIG. 5 is a front view thereof.
FIG. 6 is a top view thereof; and,
FIG. 7 is a bottom view thereof.
The broken line shown in the figure drawings are included for the purpose of illustration and form no part of the claimed design.

1 Claim, 6 Drawing Sheets



(56)

References Cited

U.S. PATENT DOCUMENTS

D244,339 S * 5/1977 Wendt D7/317
 D254,240 S * 2/1980 Morin D7/321
 4,276,992 A 7/1981 Susich
 4,487,114 A 12/1984 Abdenour
 D283,194 S * 4/1986 Durand D7/318
 D286,967 S 12/1986 Appel
 D287,454 S * 12/1986 Ohtake D7/319
 D287,691 S * 1/1987 Conti et al. D7/317
 D293,643 S * 1/1988 Bormioli D7/318
 D301,296 S 5/1989 Hsu
 D302,370 S * 7/1989 Gibert D7/317
 D304,277 S * 10/1989 Wolff et al. D7/698
 D306,547 S 3/1990 Wolfenden
 D308,460 S 6/1990 Balzano
 D309,077 S * 7/1990 Pomroy D7/318
 D311,475 S * 10/1990 Durand D7/317
 D313,726 S 1/1991 Scherer
 D316,206 S 4/1991 Daenen et al.
 D319,368 S 8/1991 Picozza et al.
 D321,301 S 11/1991 Purkapile
 D338,367 S * 8/1993 Fonville D7/317
 5,231,918 A 8/1993 Grzywna
 5,318,791 A 6/1994 Millman et al.
 D350,255 S * 9/1994 Daenen et al. D7/317
 5,363,745 A 11/1994 Lin
 5,477,979 A 12/1995 Goessling et al.
 D370,384 S * 6/1996 Shamis D7/393
 5,531,353 A 7/1996 Ward et al.
 5,613,616 A 3/1997 Monus
 5,680,951 A 10/1997 Feltman, III et al.
 D406,011 S 2/1999 Hatsumoto et al.
 5,913,964 A 6/1999 Melton
 6,095,033 A 8/2000 Melton
 6,231,226 B1 5/2001 Neidigh
 D446,681 S 8/2001 Weibel
 6,269,736 B1 8/2001 Melton
 6,276,262 B1 8/2001 Chen
 6,314,866 B1 11/2001 Melton
 D453,279 S * 2/2002 Huang D7/318
 6,372,270 B1 4/2002 Denny
 D458,082 S * 6/2002 Gluck D7/510
 RE37,773 E 7/2002 Trombley
 6,442,961 B1 9/2002 Rosenberg et al.
 D473,092 S 4/2003 Heiberg et al.
 6,578,726 B1 6/2003 Schaefer
 D479,090 S * 9/2003 Backes et al. D7/318
 D480,254 S * 10/2003 Hirose D7/318

D480,904 S * 10/2003 Backes et al. D7/318
 D484,743 S 1/2004 Furlong
 D490,266 S * 5/2004 Imai D7/318
 6,752,287 B1 6/2004 Lin
 D492,879 S * 7/2004 Allemand D7/318
 6,758,363 B2 7/2004 Stokes
 6,763,964 B1 7/2004 Hurlbut et al.
 7,032,507 B2 4/2006 Cai
 D521,795 S * 5/2006 Imai D7/318
 D522,796 S * 6/2006 Teh-Hsiung D7/318
 D528,846 S * 9/2006 Tamura D7/318
 7,219,600 B1 5/2007 Haven et al.
 D548,510 S * 8/2007 Huang D7/318
 D559,039 S * 1/2008 Freeman D7/523
 D560,951 S 2/2008 Appleton
 D587,060 S * 2/2009 Tong Chi Chung D7/319
 D587,513 S 3/2009 Bodum
 D587,957 S 3/2009 Imai
 D602,730 S * 10/2009 Kino D7/318
 D603,647 S * 11/2009 Bodum D7/318
 D607,685 S * 1/2010 Elissen D7/318
 D618,508 S * 6/2010 George et al. D7/510
 D622,548 S * 8/2010 Jensen et al. D7/523
 D648,592 S * 11/2011 Bodum D7/317
 D686,034 S * 7/2013 Bodum D7/318
 D686,864 S * 7/2013 Poul et al. D7/318
 D688,098 S * 8/2013 Miller et al. D7/523
 D688,909 S * 9/2013 Chapman et al. D7/318
 D707,487 S * 6/2014 Weernink D7/318
 D726,485 S * 4/2015 Mullen D7/317
 2003/0080048 A1 5/2003 Lin
 2004/0261631 A1 12/2004 Lee
 2006/0185521 A1 8/2006 Publicover et al.
 2009/0178573 A1 7/2009 Pan
 2010/0263549 A1 10/2010 Lee
 2011/0056386 A1 3/2011 Taketani
 2011/0162532 A1 7/2011 Gilbert
 2011/0219956 A1 9/2011 Englert et al.
 2012/0225175 A1* 9/2012 Lown 426/435
 2013/0118358 A1* 5/2013 Lown 99/279

OTHER PUBLICATIONS

<http://www.nisbets.co.uk/Olympia-Vacuum-Coffee-Jug/GF574/>
 ProductDetail.raction Olympia Vacuum Coffee Jug Sep. 30, 2013.*
 International Search Report and Written Opinion for International
 Application No. PCT/US2012/027695, Notification mailed Oct. 19,
 2012.

* cited by examiner

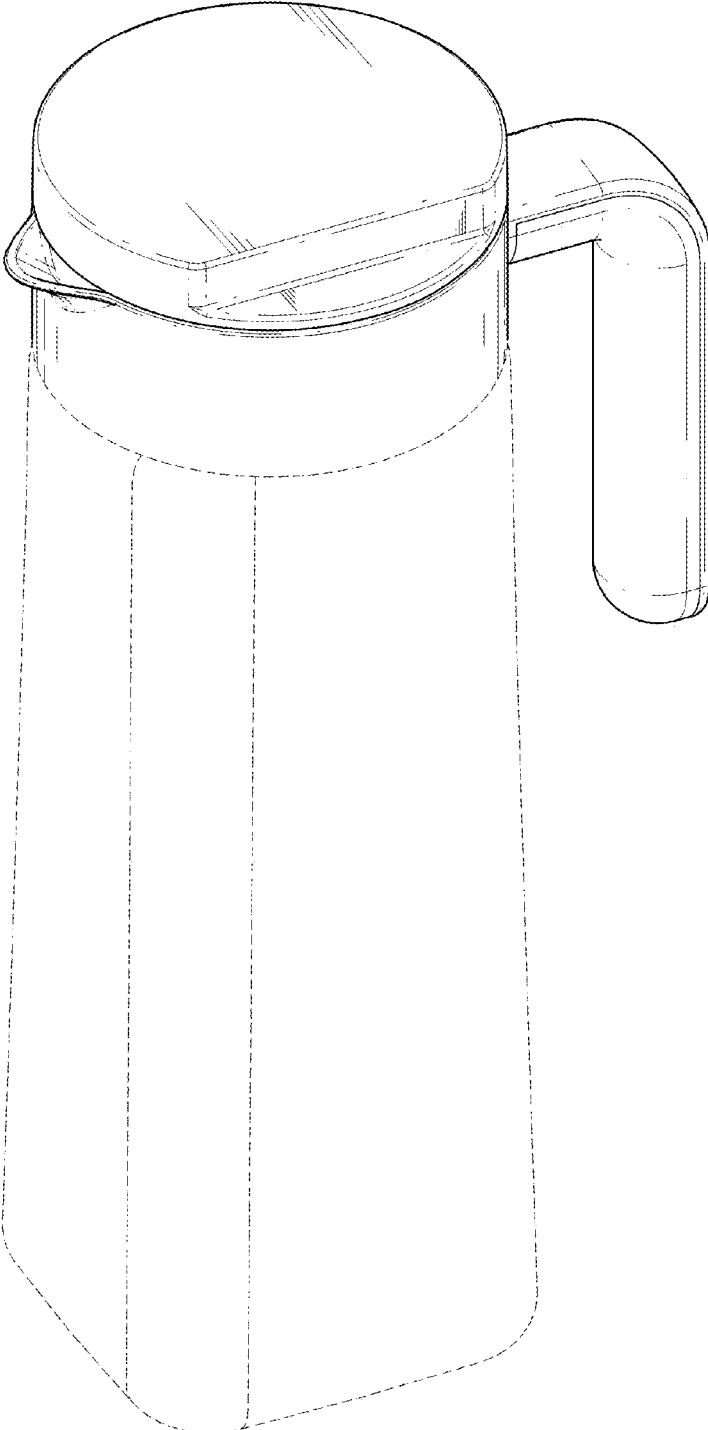


FIG. 1

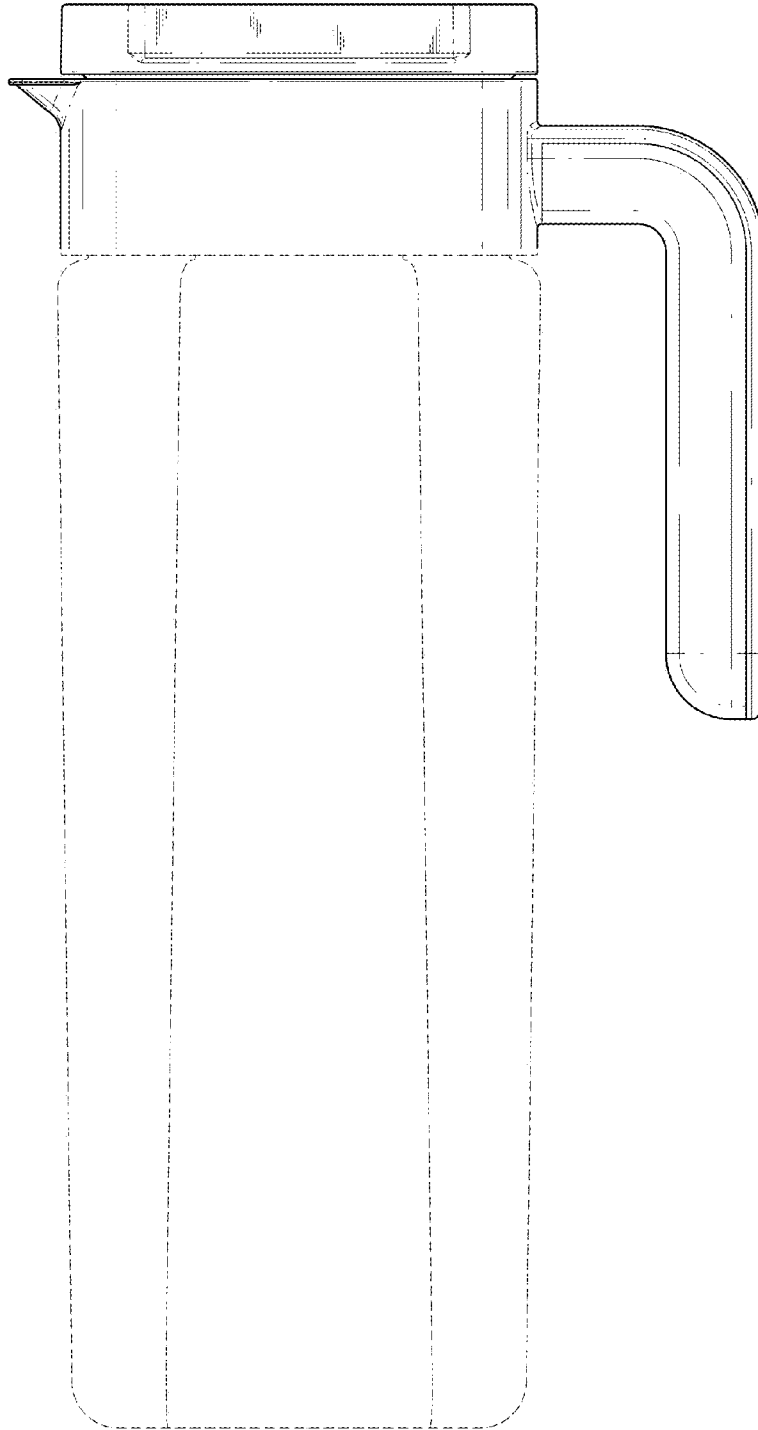


FIG. 2

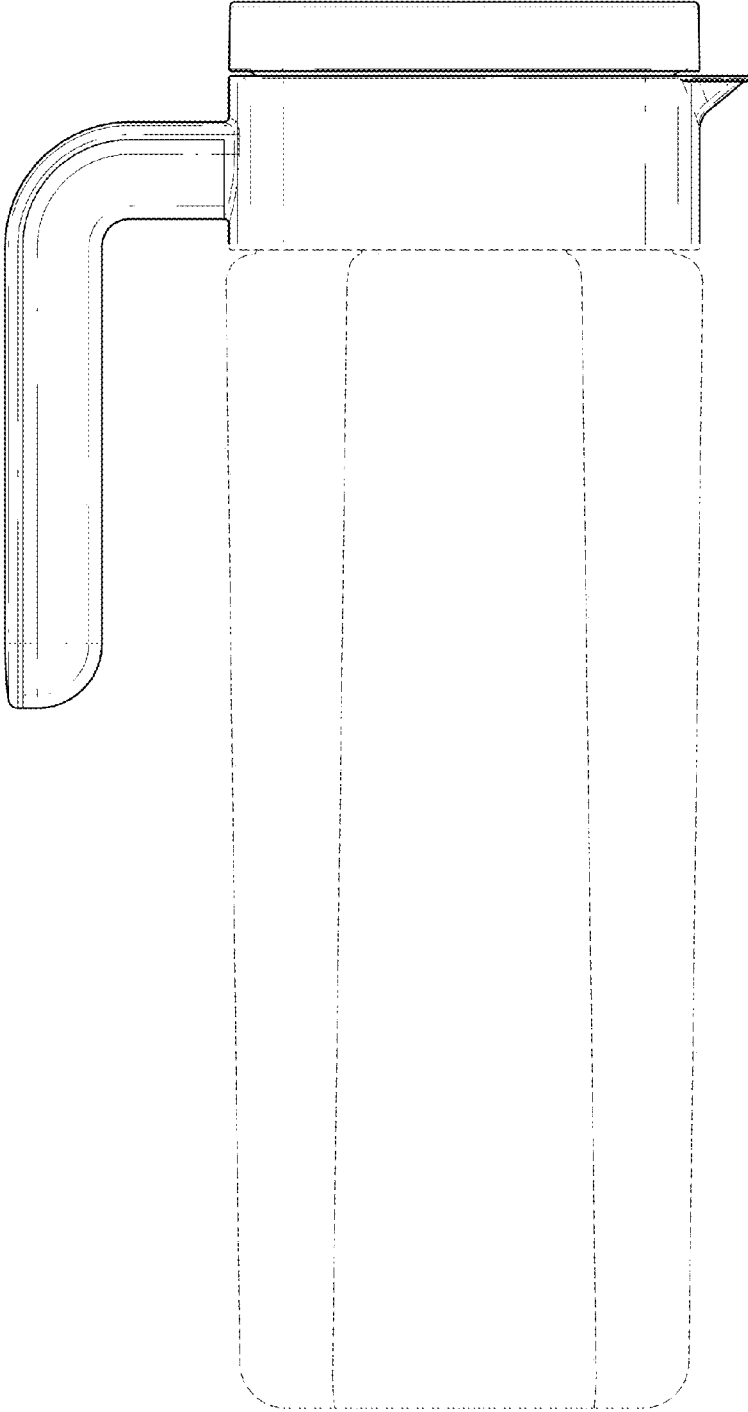


FIG. 3

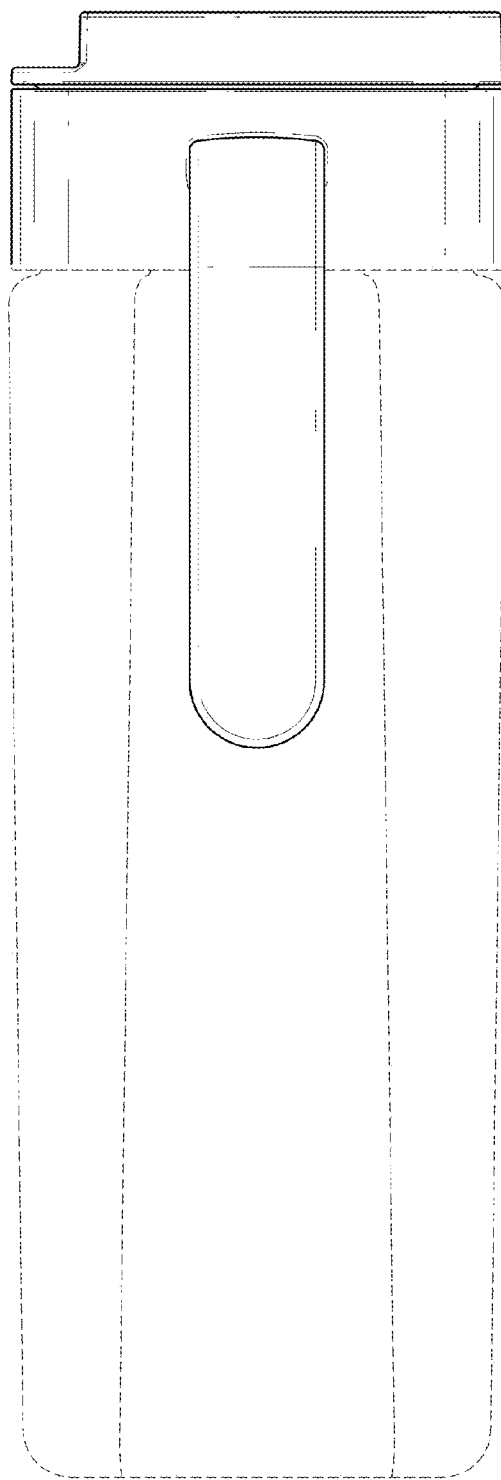


FIG. 4

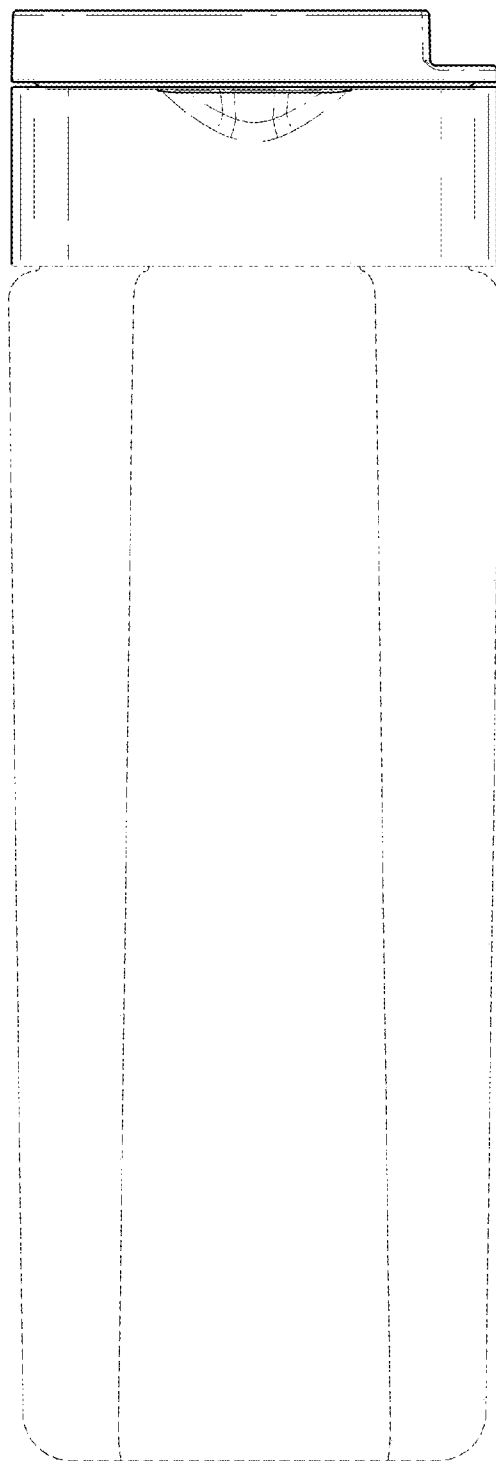


FIG. 5

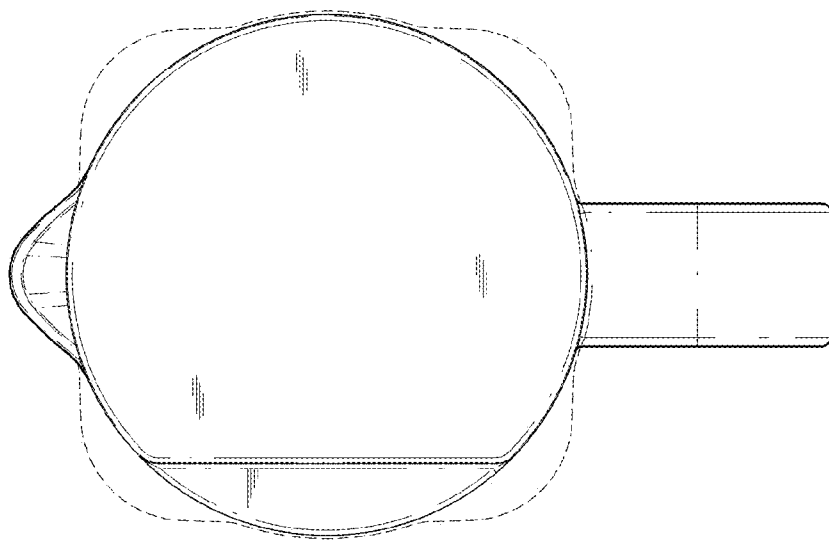


FIG. 6

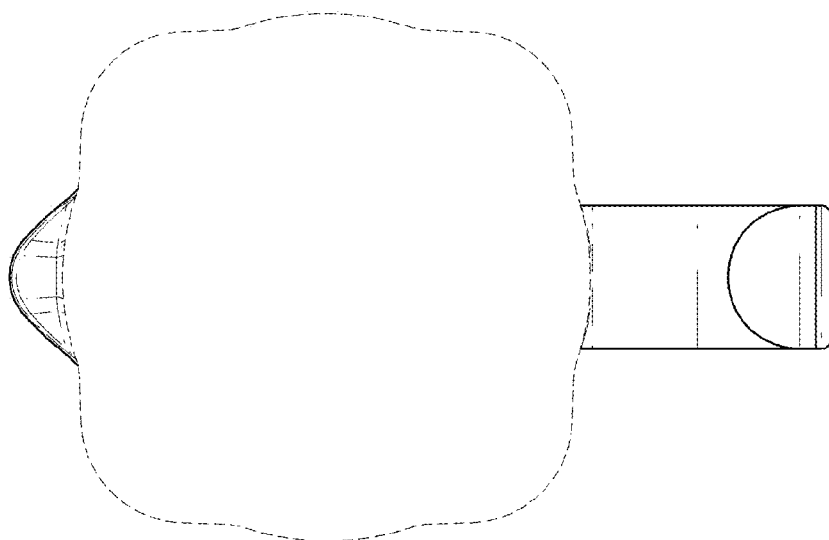


FIG. 7

UNITED STATES PATENT AND TRADEMARK OFFICE
CERTIFICATE OF CORRECTION

PATENT NO. : D750,426 S
APPLICATION NO. : 29/488781
DATED : March 1, 2016
INVENTOR(S) : Yukio Bann et al.

Page 1 of 1

It is certified that error appears in the above-identified patent and that said Letters Patent is hereby corrected as shown below:

TITLE PAGE

In column 2, in "Description", line 2, delete "embodying the new design." and insert -- showing our new design; --, therefor.

In column 2, in "Description", line 3, delete "thereof." and insert -- thereof; --, therefor.

In column 2, in "Description", line 4, delete "thereof." and insert -- thereof; --, therefor.

In column 2, in "Description", line 5, delete "thereof." and insert -- thereof; --, therefor.

In column 2, in "Description", line 6, delete "thereof." and insert -- thereof; --, therefor.

Signed and Sealed this
Twenty-seventh Day of September, 2016



Michelle K. Lee
Director of the United States Patent and Trademark Office