

(19) World Intellectual Property Organization
International Bureau



(43) International Publication Date
19 April 2007 (19.04.2007)

PCT

(10) International Publication Number
WO 2007/044285 A3

(51) International Patent Classification:
A61F 2/24 (2006.01)

1020 Florence Ln. #12, Menlo Park, CA 94025 (US).
SAUL, Tom [US/US]; 151 Madrid Avenue, El Granada,
CA 94018 (US).

(21) International Application Number:
PCT/US2006/038352

(74) Agents: SHAY, James, R. et al.; Wilson Sonsini Goodrich
& Rosati, 650 Page Mill Road, Palo Alto, CA 94304-1050
(US).

(22) International Filing Date: 2 October 2006 (02.10.2006)

(25) Filing Language: English

(81) Designated States (unless otherwise indicated, for every
kind of national protection available): AE, AG, AL, AM,
AT, AU, AZ, BA, BB, BG, BR, BW, BY, BZ, CA, CH, CN,
CO, CR, CU, CZ, DE, DK, DM, DZ, EC, EE, EG, ES, FI,
GB, GD, GE, GH, GM, HN, HR, HU, ID, IL, IN, IS, JP,
KE, KG, KM, KN, KP, KR, KZ, LA, LC, LK, LR, LS, LT,
LU, LV, LY, MA, MD, MG, MK, MN, MW, MX, MY, MZ,
NA, NG, NI, NO, NZ, OM, PG, PH, PL, PT, RO, RS, RU,
SC, SD, SE, SG, SK, SL, SM, SV, SY, TJ, TM, TN, TR,
TT, TZ, UA, UG, US, UZ, VC, VN, ZA, ZM, ZW.

(26) Publication Language: English

(30) Priority Data:
60/724,455 6 October 2005 (06.10.2005) US
11/314,969 20 December 2005 (20.12.2005) US

(71) Applicant (for all designated States except US): SADRA
MEDICAL, INC. [US/US]; 1717 Dell Avenue, Campbell,
CA 95008 (US).

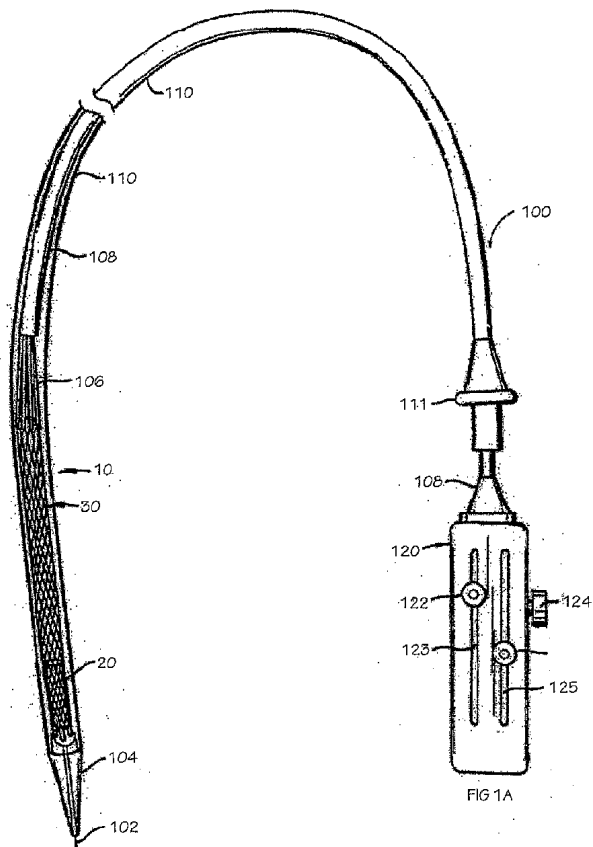
(72) Inventors; and

(75) Inventors/Applicants (for US only): SALAHIEH, Amr
[US/US]; 18729 Metler Court, Saratoga, CA 95070 (US).
MOREJOHN, Dwight, P. [US/US]; 731 N. Campus Way,
Davis, CA 95616 (US). HILDEBRAND, Daniel [US/US];

(84) Designated States (unless otherwise indicated, for every
kind of regional protection available): ARIPO (BW, GH,
GM, KE, LS, MW, MZ, NA, SD, SL, SZ, TZ, UG, ZM,
ZW), Eurasian (AM, AZ, BY, KG, KZ, MD, RU, TJ, TM),

[Continued on next page]

(54) Title: METHODS AND APPARATUS FOR PERFORMING VALVULOPLASTY



(57) Abstract: The present invention relates to apparatus (10) and methods for performing valvuloplasty. In some embodiments, the apparatus (10) includes an expandable braided valvuloplasty device (30). In some embodiments, the methods and apparatus (10) maybe used as an adjunct to percutaneous heart valve replacement. In some embodiments, the apparatus (10) and methods may provide a medical practitioner with feedback, monitoring or measurement information, e.g., information relevant to percutaneous transatheter heart valve replacement.

WO 2007/044285 A3



European (AT, BE, BG, CH, CY, CZ, DE, DK, EE, ES, FI, FR, GB, GR, HU, IE, IS, IT, LT, LU, LV, MC, NL, PL, PT, RO, SE, SI, SK, TR), OAPI (BF, BJ, CF, CG, CI, CM, GA, GN, GQ, GW, ML, MR, NE, SN, TD, TG).

(88) Date of publication of the international search report:
7 May 2009

Published:

— *with international search report*

INTERNATIONAL SEARCH REPORT

International application No.
PCT/US06/38352

A. CLASSIFICATION OF SUBJECT MATTER
 IPC: **A61F 2/24(2006.01)**

 USPC: **623/2.11**
 According to International Patent Classification (IPC) or to both national classification and IPC

B. FIELDS SEARCHED

Minimum documentation searched (classification system followed by classification symbols)
 U.S. : 600/498, 499; 606/113, 127, 128, 200; 623/2.22, 2.23, 2.1, 2.11

Documentation searched other than minimum documentation to the extent that such documents are included in the fields searched

Electronic data base consulted during the international search (name of data base and, where practicable, search terms used)
 Please See Continuation Sheet

C. DOCUMENTS CONSIDERED TO BE RELEVANT

Category *	Citation of document, with indication, where appropriate, of the relevant passages	Relevant to claim No.
Y	US 4,056,854 A (BORETOS et al.) 08 November 1977 (08.11.1977), Figures 1-4B and col. 2, line 22 to col. 3, line 45.	1, 3, 5-9, 15, 16
X	US 5,370,685 A (STEVENS) 06 December 1994 (06.12.1994), Figures 1-4 and col. 4, lines 9-21 and col. 5, line 29 to col. 6, line 28.	1-4, 10-14
Y	US 6,494,909 A (GREENHALGH), 17 December 2002 (17.12.2002), col. 3, lines 40-52.	1, 3, 5-9, 15, 16

Further documents are listed in the continuation of Box C. See patent family annex.

* Special categories of cited documents:	"T"
"A" document defining the general state of the art which is not considered to be of particular relevance	later document published after the international filing date or priority date and not in conflict with the application but cited to understand the principle or theory underlying the invention
"E" earlier application or patent published on or after the international filing date	"X" document of particular relevance; the claimed invention cannot be considered novel or cannot be considered to involve an inventive step when the document is taken alone
"L" document which may throw doubts on priority claim(s) or which is cited to establish the publication date of another citation or other special reason (as specified)	"Y" document of particular relevance; the claimed invention cannot be considered to involve an inventive step when the document is combined with one or more other such documents, such combination being obvious to a person skilled in the art
"O" document referring to an oral disclosure, use, exhibition or other means	"&" document member of the same patent family
"P" document published prior to the international filing date but later than the priority date claimed	

Date of the actual completion of the international search: **20 April 2008 (20.04.2008)**
 Date of mailing of the international search report: **19 MAY 2008**

Name and mailing address of the ISA/US:
 Mail Stop PCT, Attn: ISA/US
 Commissioner for Patents
 P.O. Box 1450
 Alexandria, Virginia 22313-1450
 Facsimile No. (571) 273-3201

Authorized officer:
 Julian W. Woo *Amelia Heath*
 Telephone No. 571-272-2975 *Joy*