

(12) **United States Design Patent**
Kelly

(10) **Patent No.:** **US D802,879 S**
(45) **Date of Patent:** **** *Nov. 14, 2017**

(54) **WALL-MOUNTED MAILBOX AND MAIL COMPARTMENT**

(71) Applicant: **John G. Kelly**, Raleigh, NC (US)

(72) Inventor: **John G. Kelly**, Raleigh, NC (US)

(*) Notice: This patent is subject to a terminal disclaimer.

(**) Term: **15 Years**

(21) Appl. No.: **29/563,247**

(22) Filed: **May 3, 2016**

(51) **LOC (10) Cl.** **99-00**

(52) **U.S. Cl.**
USPC **D99/33**

(58) **Field of Classification Search**
USPC D99/28, 29, 31, 33, 43, 99; D3/201, 303, D3/304; D6/553, 567, 512, 573; D19/65, 75, 86, 90, 99, 100
CPC A47G 29/00; A47G 29/08; A47G 29/12; A47G 29/1201; A47G 29/1203; A47G 29/1209; A47G 29/1218; A47G 29/16; E05G 1/00; E05G 1/005
See application file for complete search history.

(56) **References Cited**

U.S. PATENT DOCUMENTS

D25,400 S *	4/1896	Hadley	D99/33
910,355 A *	1/1909	Cannady	A47G 29/121 232/35
D140,425 S *	2/1945	Johnson	217/5
D166,748 S *	5/1952	Gosweller	D99/33
D172,291 S *	5/1954	Levine	D99/33
D176,539 S *	1/1956	Levine	D99/33
D183,941 S *	11/1958	Masso	D99/33
D183,942 S *	11/1958	Masso	D99/33
2,860,830 A *	11/1958	Mrenza	A47G 29/12 232/17

D187,443 S *	3/1960	Martell	D99/33
D189,169 S *	11/1960	Blumenthal	D99/33
D217,039 S *	3/1970	Corkey	D99/33
D219,487 S *	12/1970	Blumbery	D99/33
D230,648 S *	3/1974	Fibus	D99/33

(Continued)

Primary Examiner — Elizabeth J Oswecki

(74) *Attorney, Agent, or Firm* — Coats & Bennett, PLLC

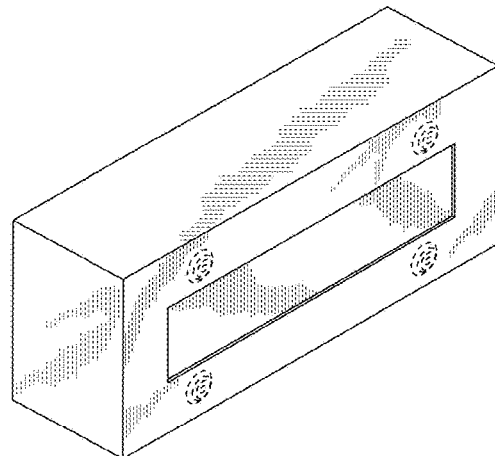
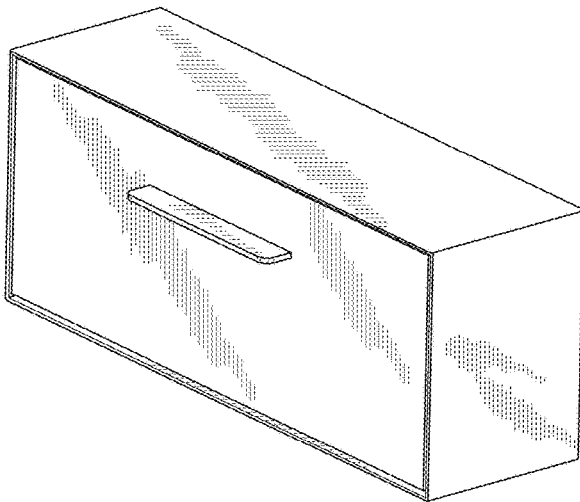
(57) **CLAIM**

The ornamental design for a wall-mounted mailbox and mail compartment, as shown and described.

DESCRIPTION

FIG. 1 is a front perspective view of a wall-mounted mailbox and mail compartment, showing my new design; FIG. 2 is a front view thereof; FIG. 3 is a back view thereof; FIG. 4 is a top view thereof; FIG. 5 is a bottom view thereof; FIG. 6 is a left-side view thereof; the right side view is a mirror image; FIG. 7 is a back perspective view thereof; FIG. 8 is a cross sectional view taken from line 8-8 of FIG. 4; FIG. 9 is another front perspective view of the mailbox compartment door shown in an open position; FIG. 10 is another front perspective view of the mailbox compartment door shown separately for ease of illustration; FIG. 11 is a front view of FIG. 10; FIG. 12 is a back view of FIG. 10; FIG. 13 is a top view of FIG. 10; FIG. 14 is a bottom view of FIG. 10; and, FIG. 15 is a left side view of FIG. 10, the right side is a mirror image.
The broken lines shown in the drawings represent portions of the wall-mounted mailbox and mail compartment, that form no part of the claimed design.

1 Claim, 15 Drawing Sheets



(56)

References Cited

U.S. PATENT DOCUMENTS

3,801,002 A * 4/1974 Best A47G 29/1209
232/17
D231,636 S * 5/1974 Fibus D99/33
3,813,029 A * 5/1974 Ostrom A47G 29/121
232/17
3,935,994 A * 2/1976 Darvishian A47G 29/1225
232/17
D248,677 S * 7/1978 Masso D99/29
D254,635 S * 4/1980 Earle D99/33
D315,045 S * 2/1991 Vanaman D99/30
D337,415 S * 7/1993 McDowell D99/28
D396,063 S * 7/1998 Elmer D19/75
5,845,843 A * 12/1998 Kuller A47G 29/12
232/17
D442,760 S * 5/2001 Cavero D99/33
D446,378 S * 8/2001 Fischer D99/29
6,719,195 B2 * 4/2004 Farentinos A47G 29/22
232/45
D678,654 S * 3/2013 Farentinos D99/33
D678,655 S * 3/2013 Farentinos D99/33
D681,305 S * 4/2013 Farentinos D99/33
D772,600 S * 11/2016 Bean D6/522

* cited by examiner

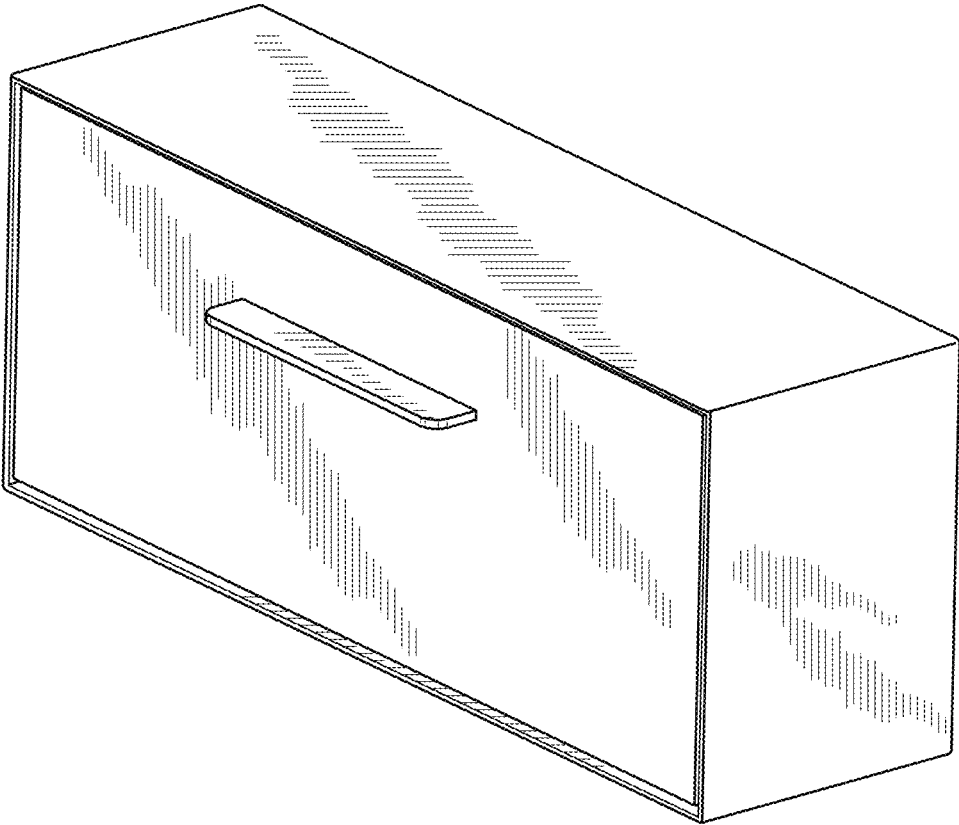


FIG. 1

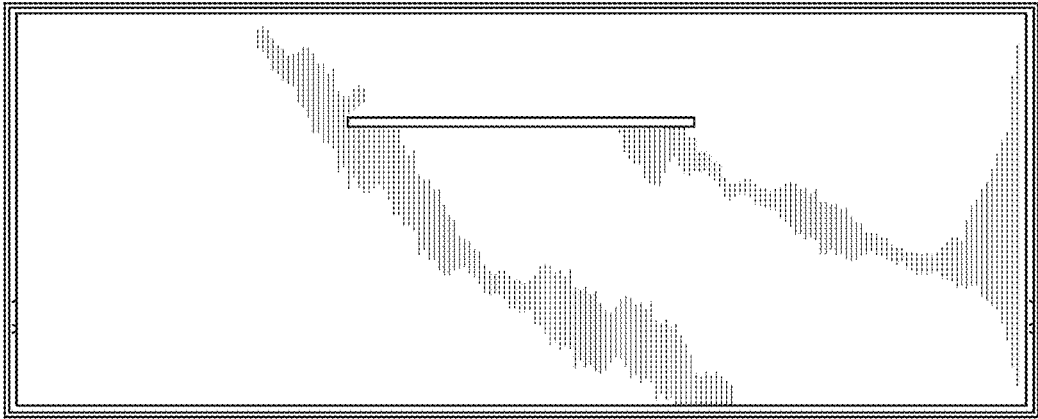


FIG. 2

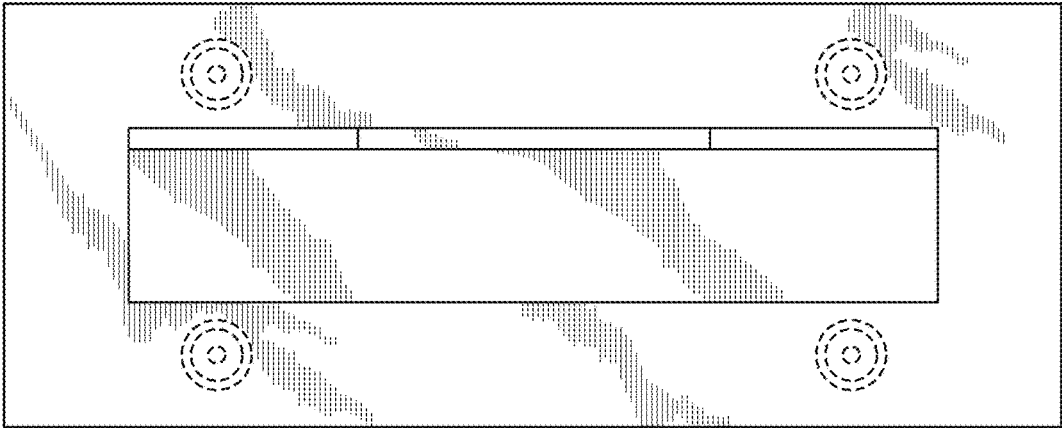


FIG. 3

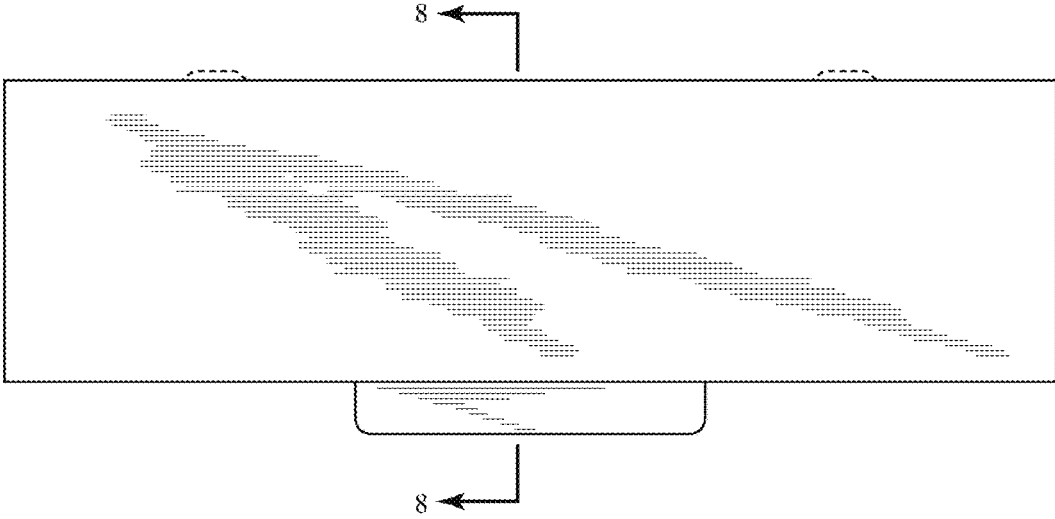


FIG. 4

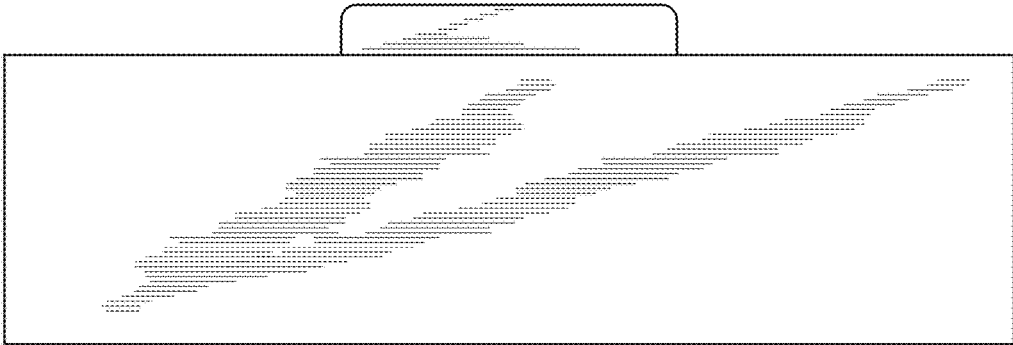


FIG. 5

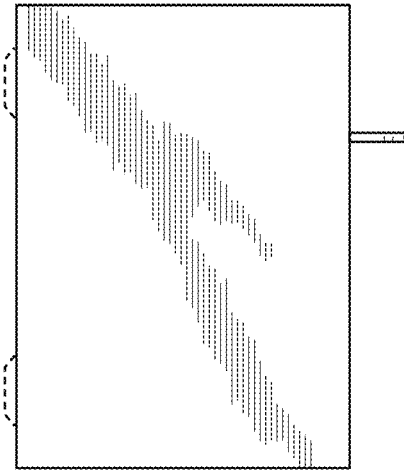


FIG. 6

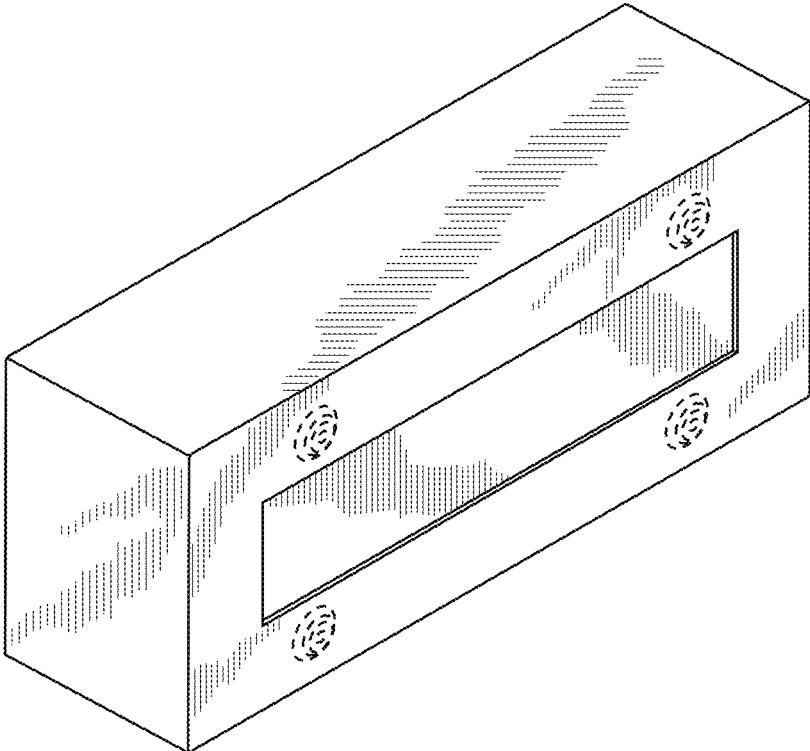


FIG. 7

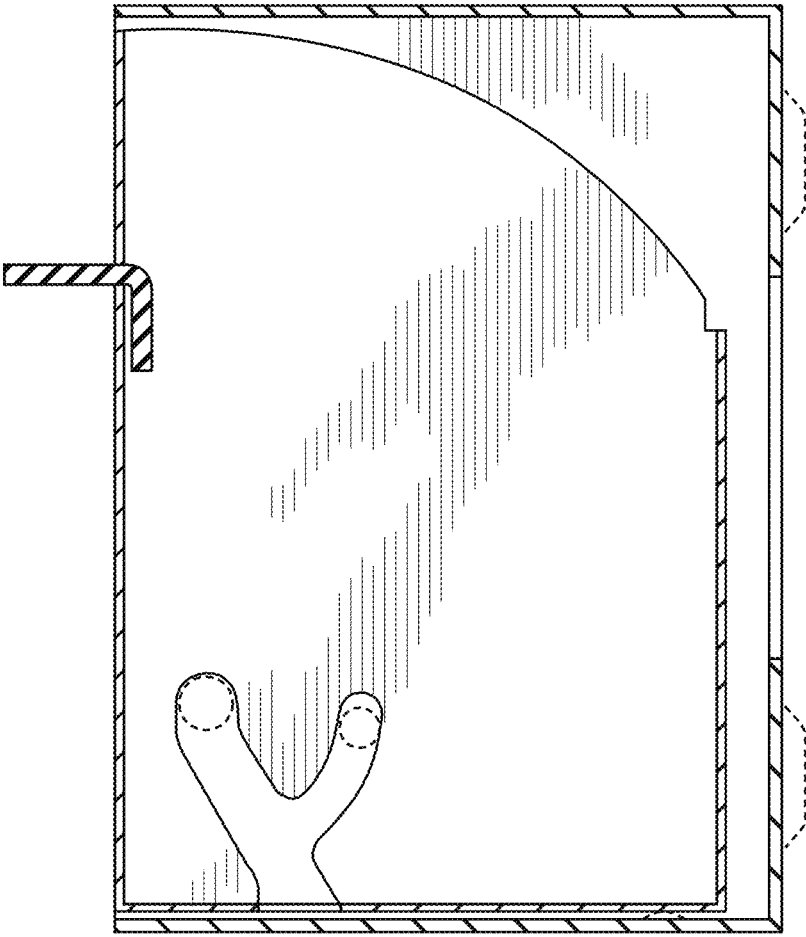


FIG. 8

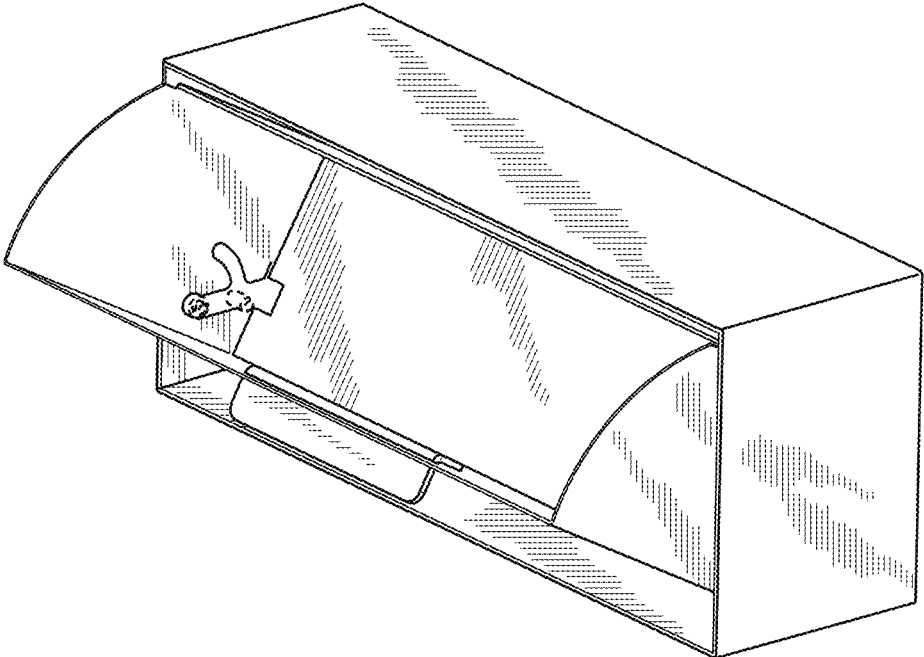


FIG. 9

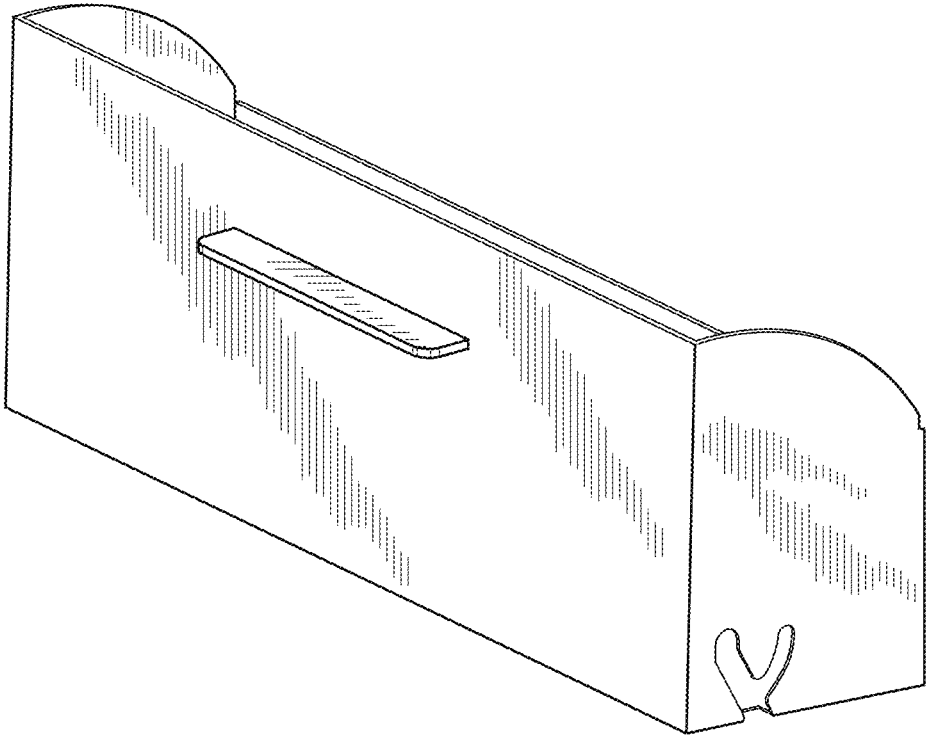


FIG. 10

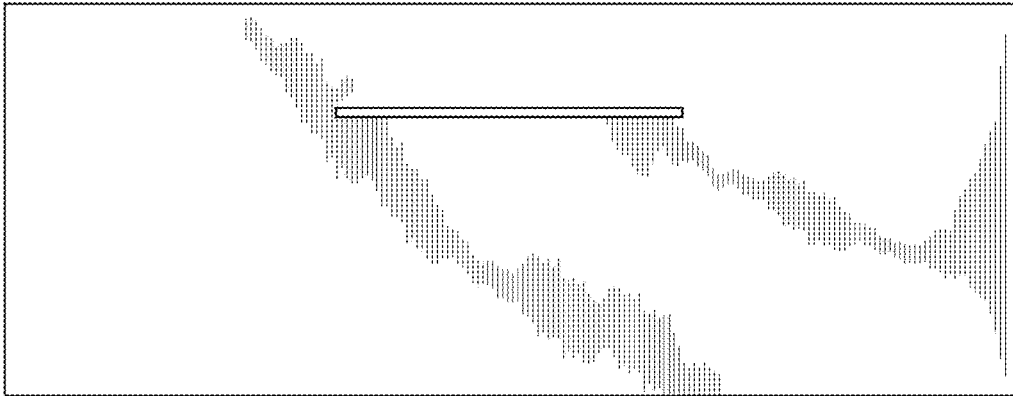


FIG. 11

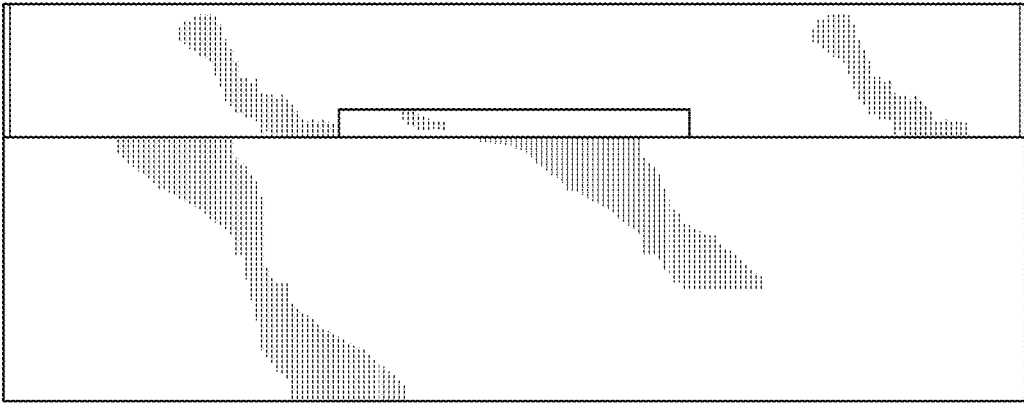


FIG. 12

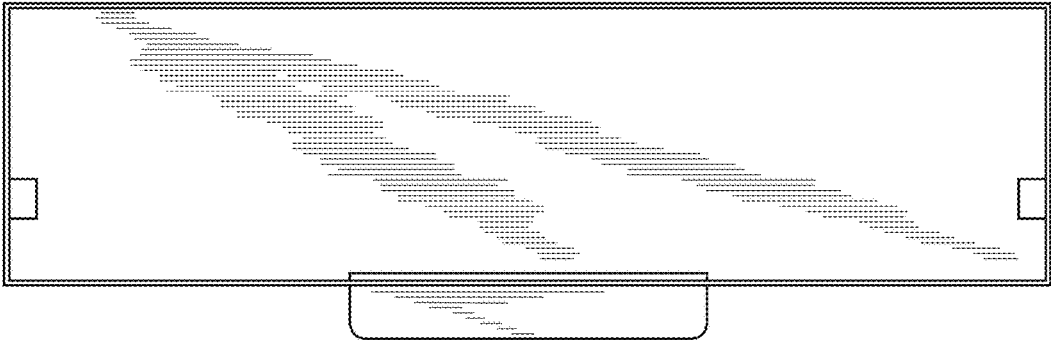


FIG. 13

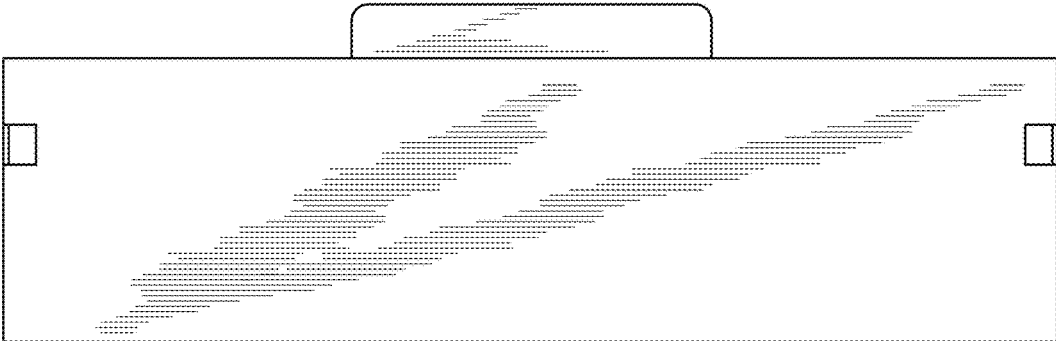


FIG. 14

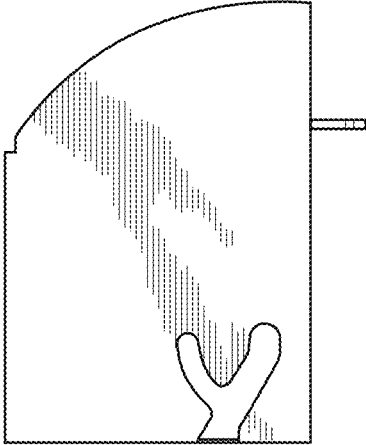


FIG. 15