



US00D826437S

(12) **United States Design Patent** (10) **Patent No.:** **US D826,437 S**
Ito et al. (45) **Date of Patent:** **** Aug. 21, 2018**

(54) **HEADLAMP FOR A VEHICLE**

(56) **References Cited**

(71) Applicant: **International Truck Intellectual Property Company, LLC**, Lisle, IL (US)

U.S. PATENT DOCUMENTS

(72) Inventors: **Chris Isamu Ito**, Suger Grove, IL (US); **Glen Joel Durmisevich**, Rochester Hills, MI (US); **Christian Michael Hardin**, Wheaton, IL (US); **David James Olsen**, Aurora, IL (US); **John Ho Song**, Palatine, IL (US)

D526,429 S *	8/2006	Hovind	D26/28
D527,123 S	8/2006	Beigel et al.	
D529,223 S	9/2006	Beigel et al.	
D539,947 S	4/2007	Lee et al.	
D580,571 S *	11/2008	Gotschke	D26/28
D592,324 S	5/2009	Beigel et al.	
D640,826 S	6/2011	Beigel et al.	
D661,012 S	1/2012	Parkes et al.	
D661,011 S	5/2012	Parkes et al.	
D693,950 S	11/2013	Ito et al.	
D696,443 S	12/2013	Ito et al.	
D735,914 S *	8/2015	Gotschke	D26/28
D753,323 S *	4/2016	George	D26/28

(73) Assignee: **International Truck Intellectual Property Company, LLC**, Lisle, IL (US)

(Continued)

(**) Term: **15 Years**

Primary Examiner — Angela J Lee

(21) Appl. No.: **29/609,491**

(74) *Attorney, Agent, or Firm* — Jeffrey P. Calfa; Mark C. Bach

(22) Filed: **Jun. 30, 2017**

(57) **CLAIM**

The ornamental design for a headlamp for a vehicle, as shown and described.

Related U.S. Application Data

(62) Division of application No. 29/565,925, filed on May 25, 2016, now Pat. No. Des. 796,092.

(51) **LOC (11) Cl.** **26-07**

(52) **U.S. Cl.**
USPC **D26/28**

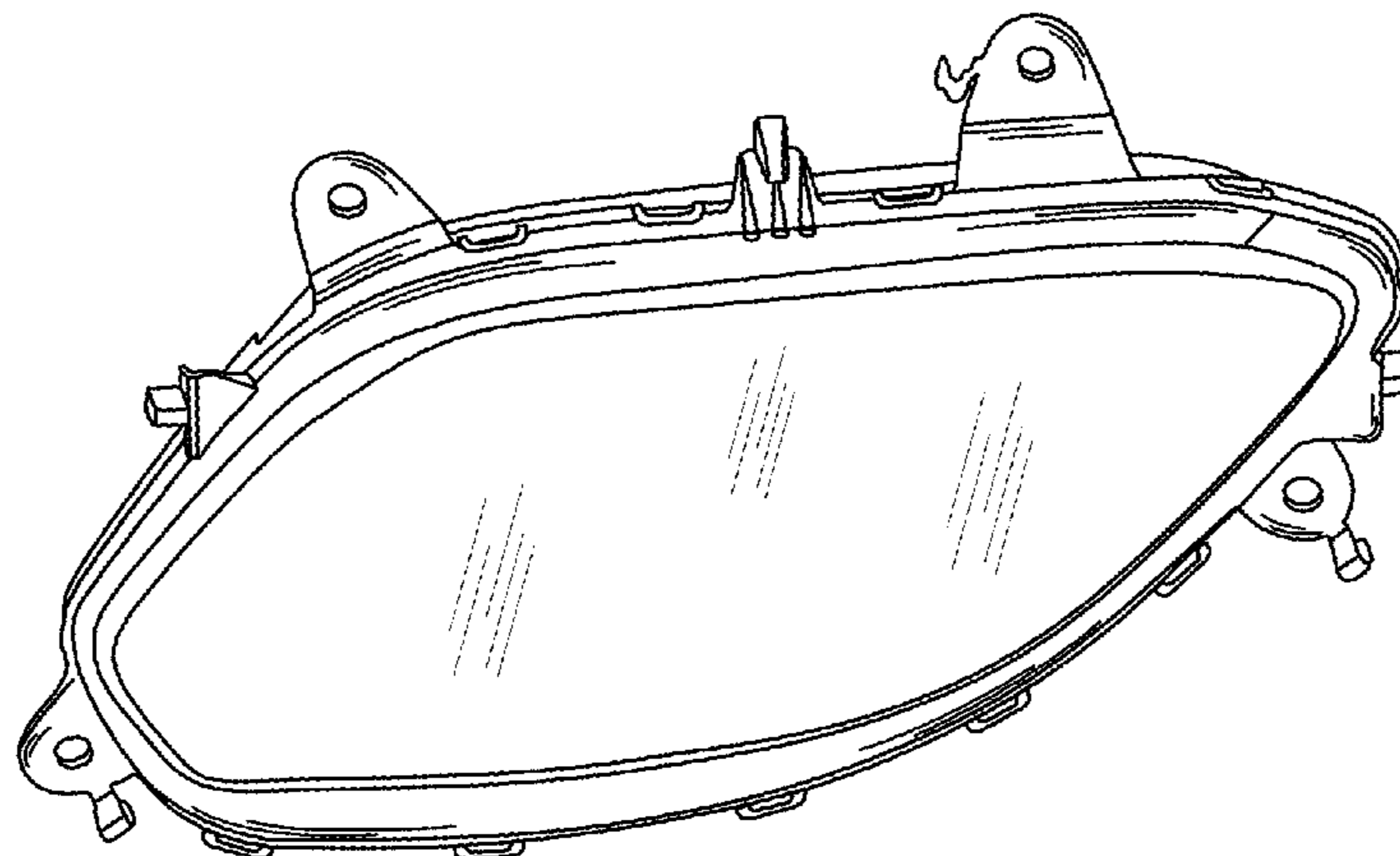
(58) **Field of Classification Search**
USPC D26/28-36; 362/459-468, 475-478, 362/485-487
CPC F21S 48/00; F21S 48/10; F21S 48/115; F21S 48/225; F21S 48/1233; F21S 48/1266; F21S 48/1388; F21S 48/2268; F21V 21/04

See application file for complete search history.

DESCRIPTION

FIG. 1 is an isometric view of a first embodiment of the headlamp for a vehicle showing my/our new design; FIG. 2 is a left side view of the headlamp of FIG. 1; FIG. 3 is a right side view of the headlamp of FIG. 1; FIG. 4 is a front view of the headlamp of FIG. 1; FIG. 5 is a rear view of the headlamp of FIG. 1; FIG. 6 is a top plan view of the headlamp of FIG. 1; FIG. 7 is a bottom plan view of the headlamp of FIG. 1; FIG. 8 is an isometric view of a second embodiment of the headlamp for a vehicle showing our new design; FIG. 9 is a left side view of the headlamp of FIG. 8; FIG. 10 is a right side view of the headlamp of FIG. 8; FIG. 11 is a front view of the headlamp of FIG. 8; FIG. 12 is a rear view of the headlamp of FIG. 8; FIG. 13 is a top plan view of the headlamp of FIG. 8; and, FIG. 14 is a bottom plan view of the headlamp of FIG. 8.

1 Claim, 8 Drawing Sheets



(56)

References Cited

U.S. PATENT DOCUMENTS

D754,892 S *	4/2016	Hatton	D26/28
D761,980 S *	7/2016	Keskin	D26/28
D777,956 S *	1/2017	Schell	D26/28
D778,469 S	2/2017	Ito et al.	
D778,470 S	2/2017	Ito et al.	
D778,471 S	2/2017	Ito et al.	
D778,490 S	2/2017	Ito et al.	
D778,491 S	2/2017	Ito et al.	
D779,693 S *	2/2017	Wolff	D26/28
D780,963 S *	3/2017	Behmer	D26/28
D785,824 S *	5/2017	Svensson	D26/28
D785,825 S *	5/2017	Svensson	D26/28
D790,741 S *	6/2017	Svensson	D26/28
D796,712 S *	9/2017	McGowen	D26/28

* cited by examiner

FIG. 1

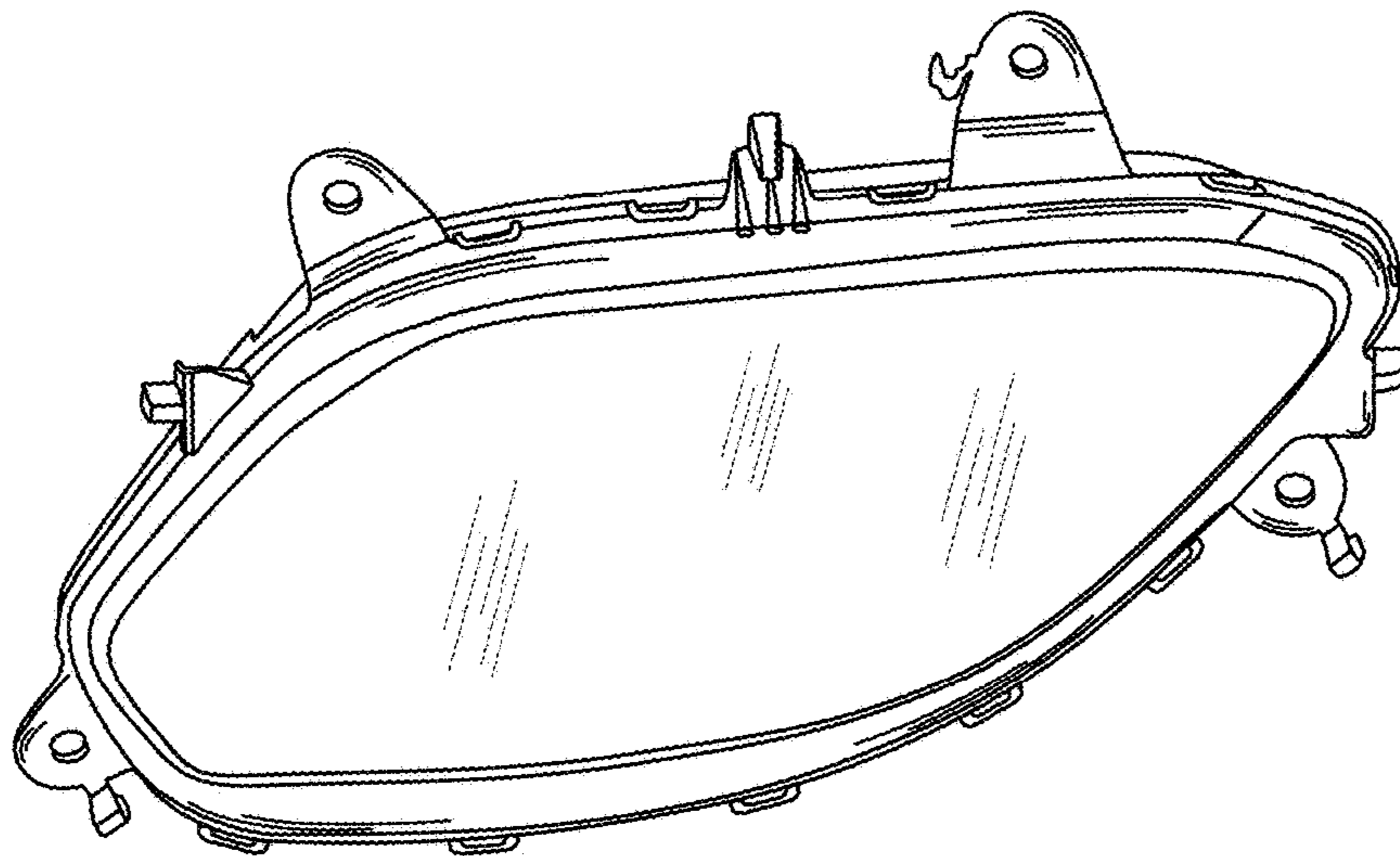


FIG. 2

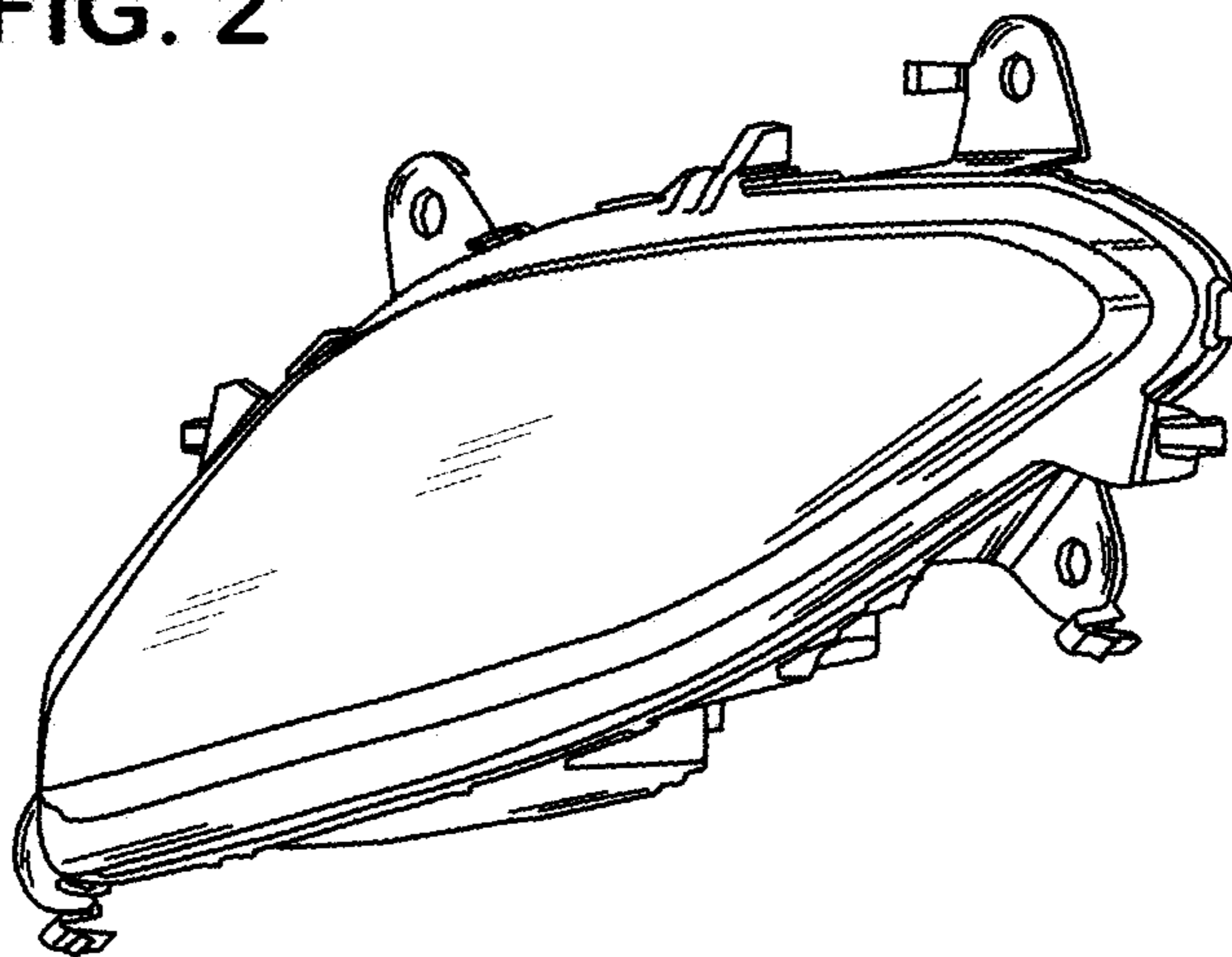


FIG. 3

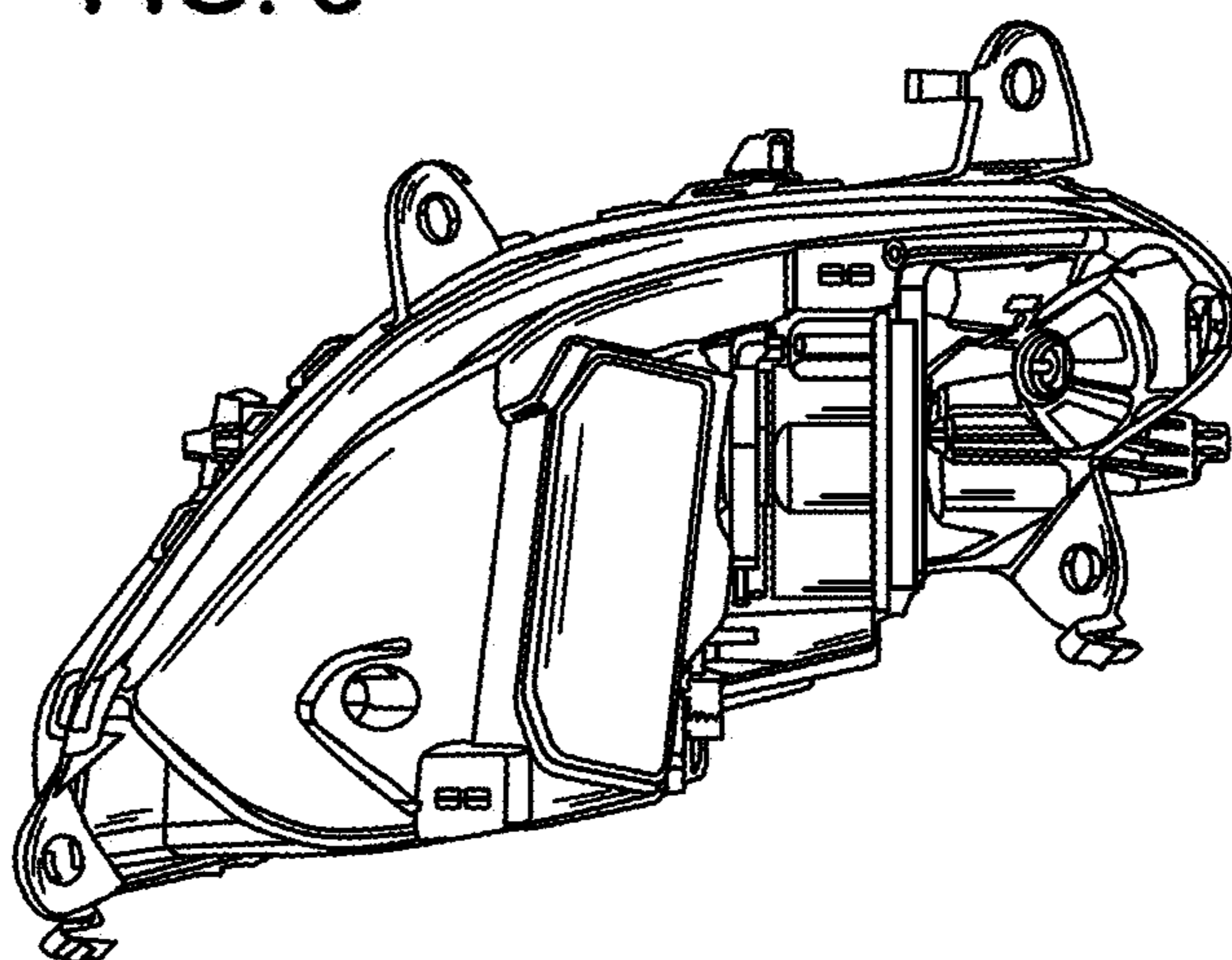


FIG. 4

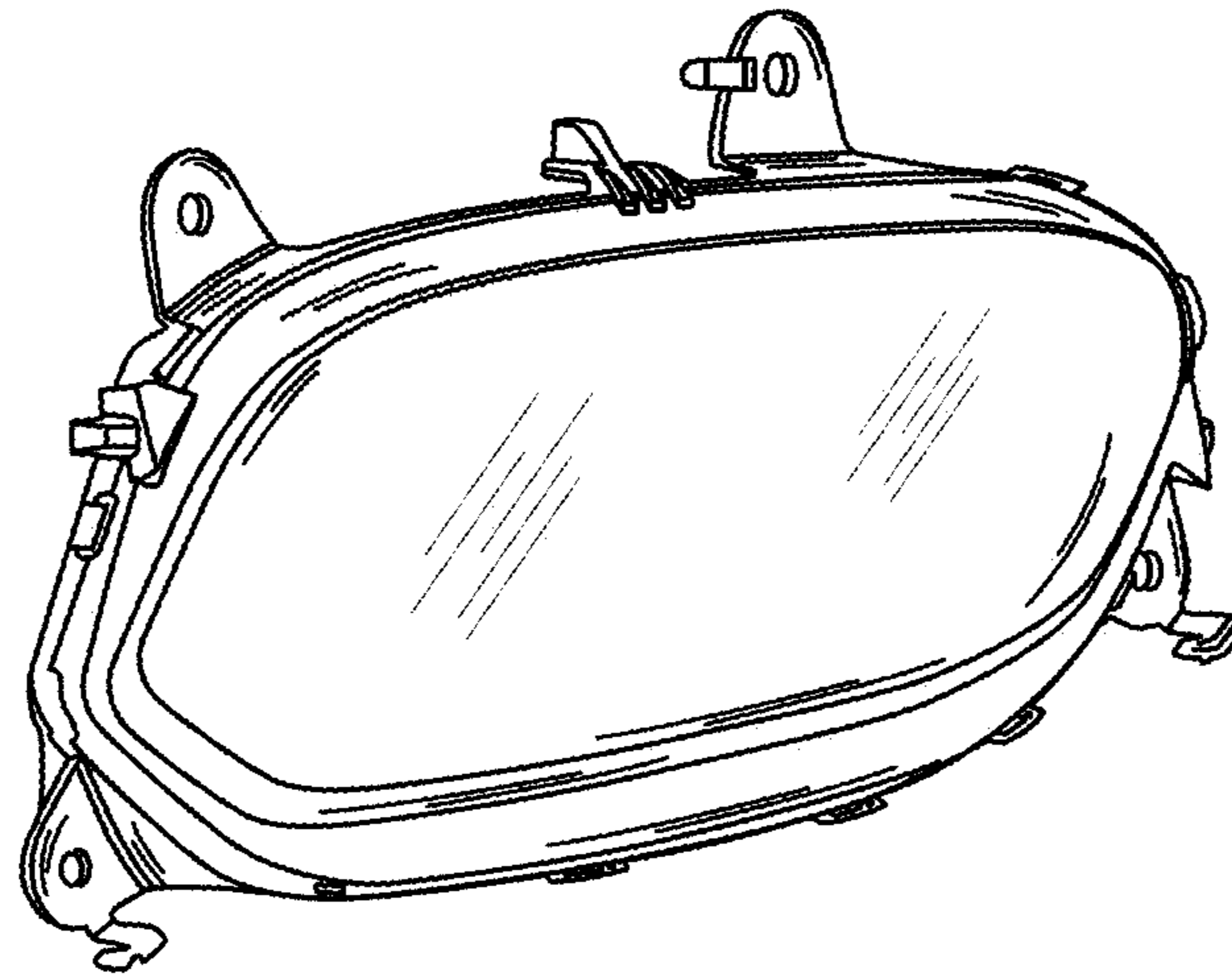


FIG. 5

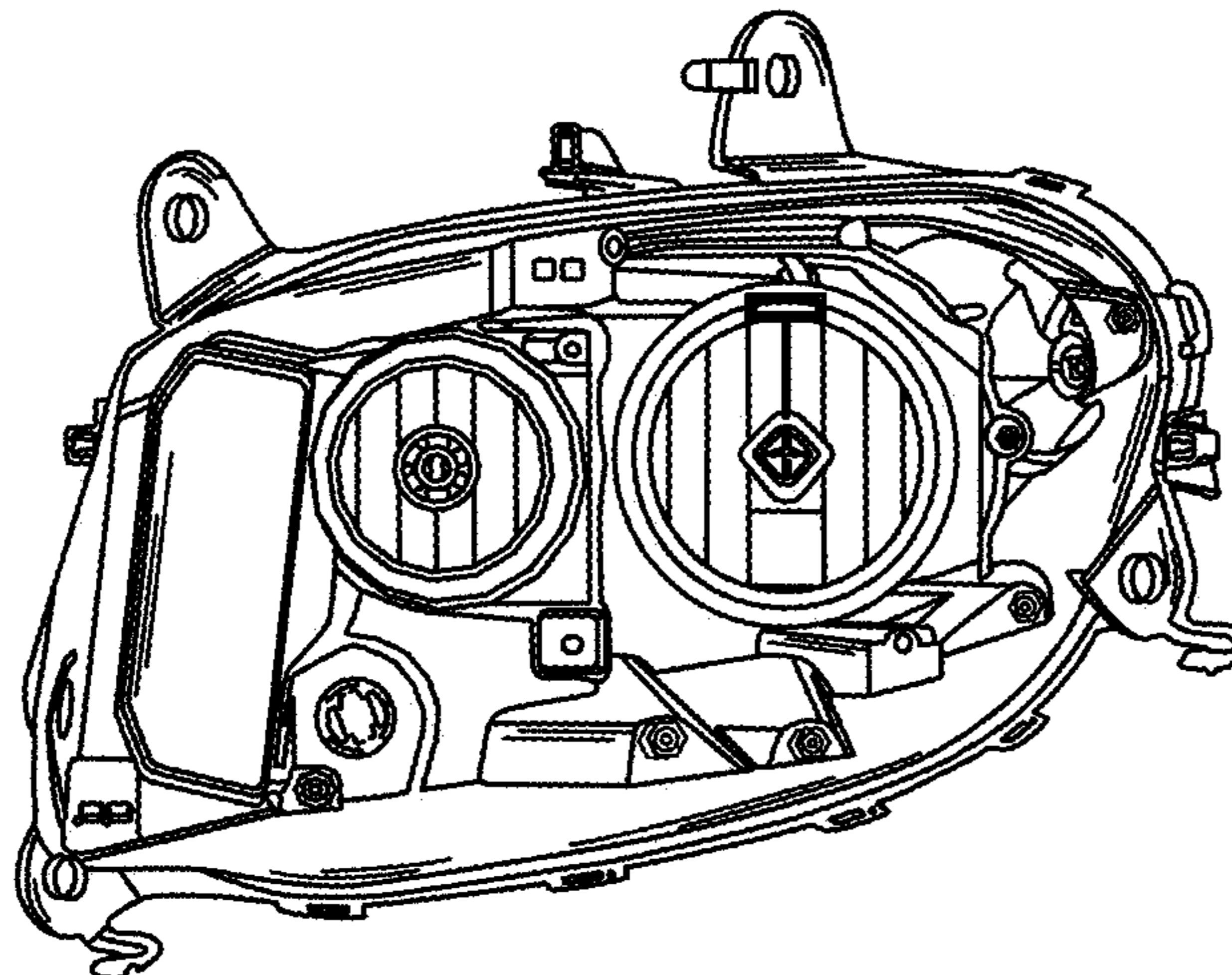


FIG. 6

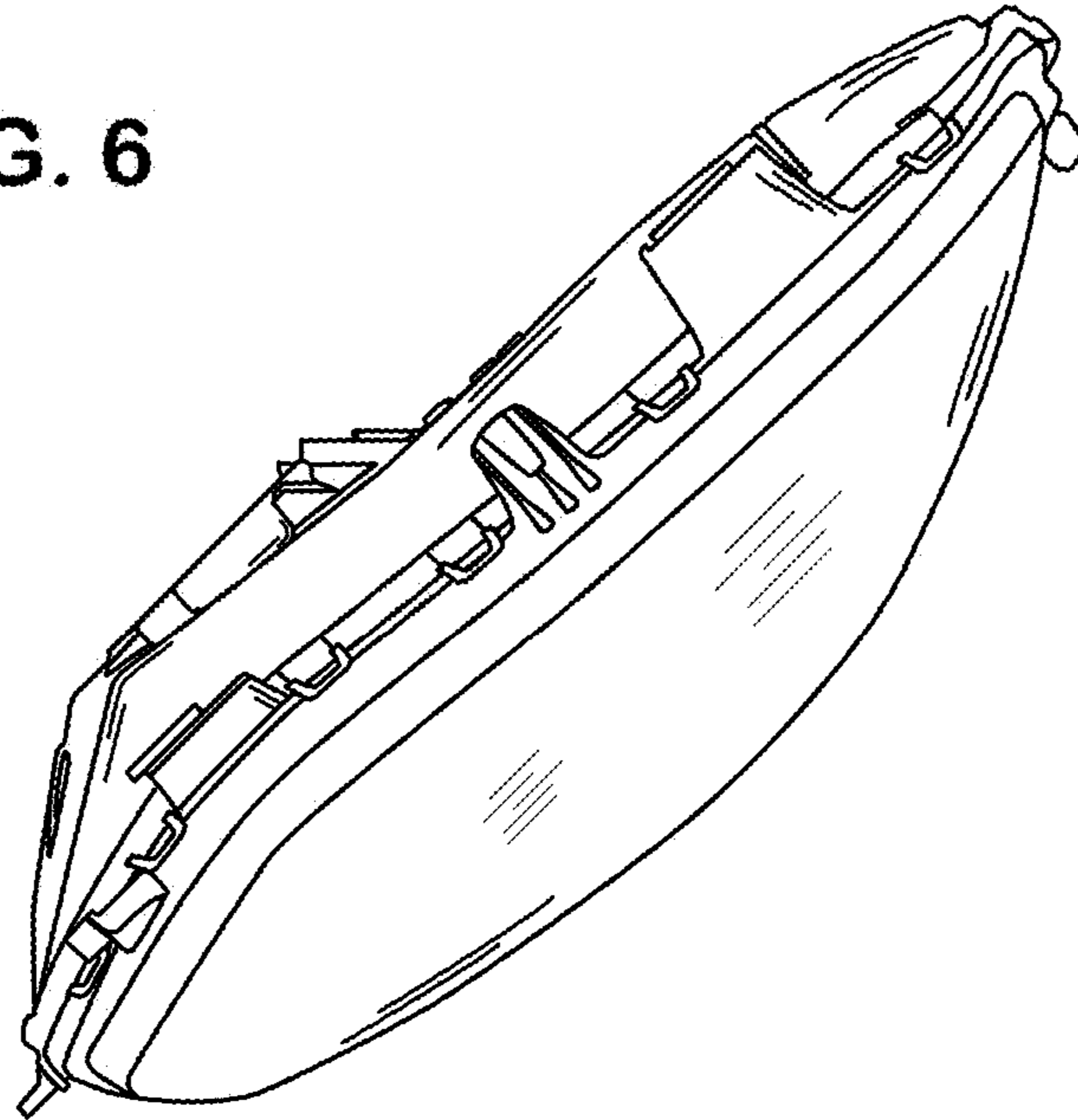


FIG. 7

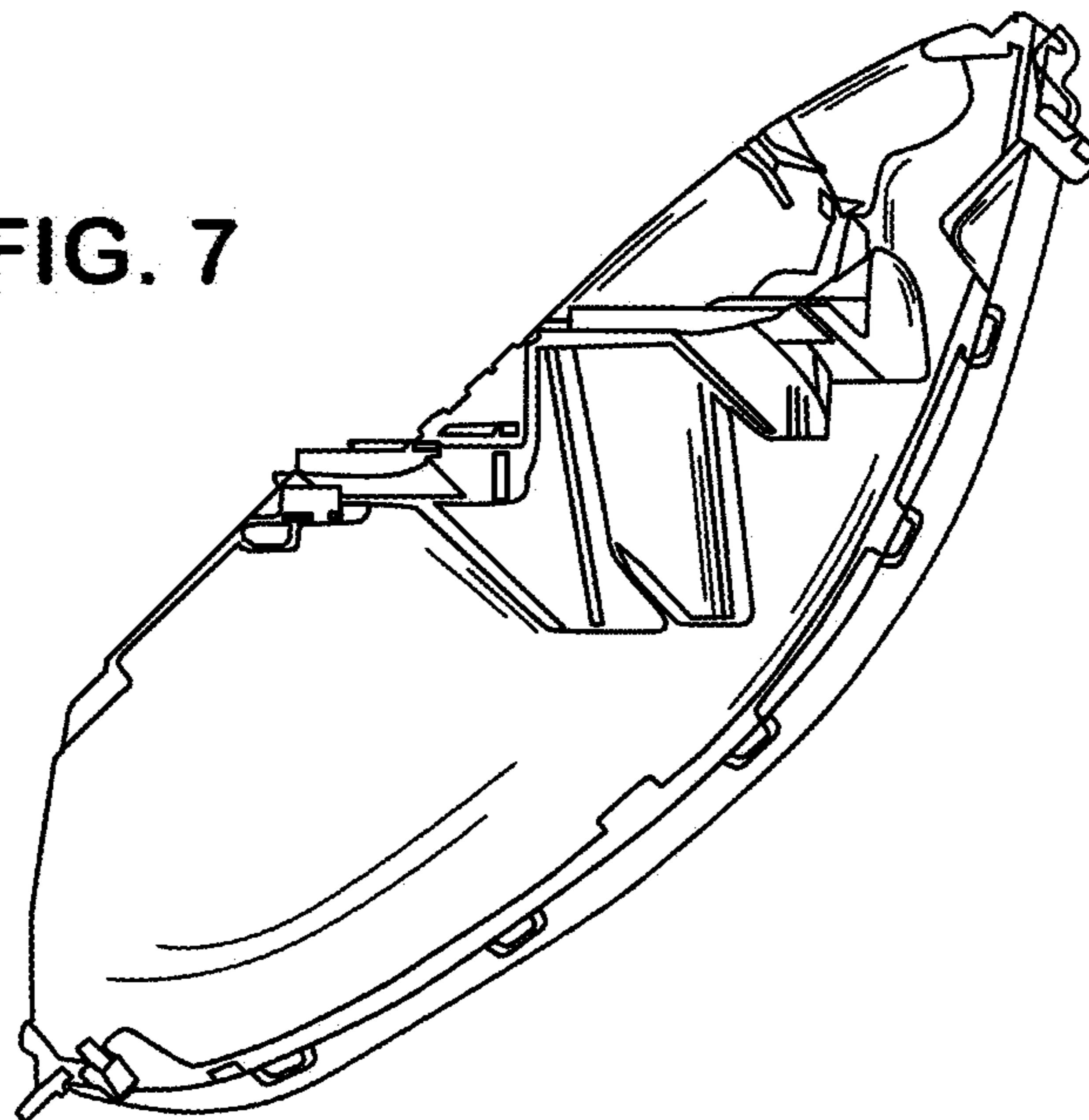


FIG. 8

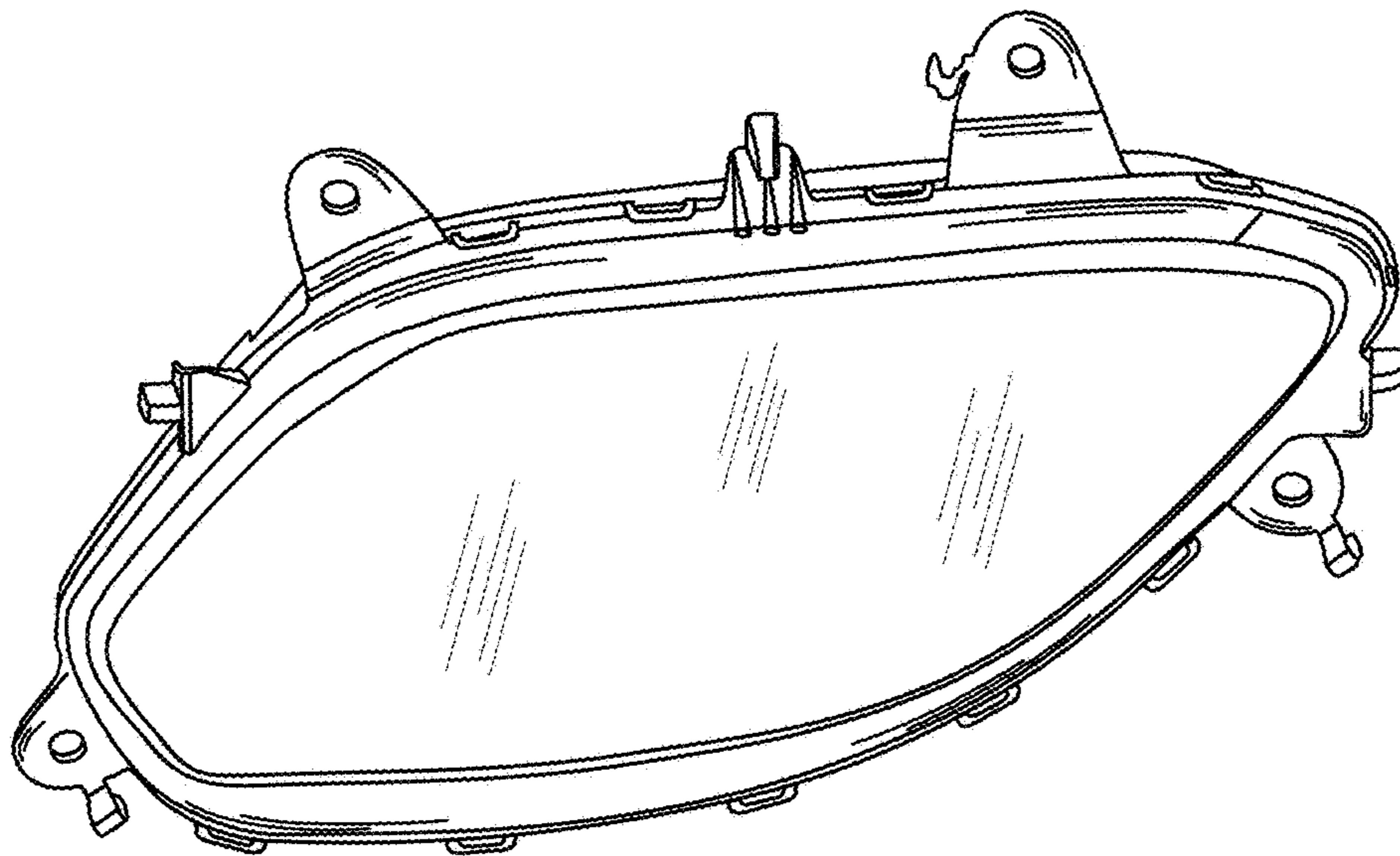


FIG. 9

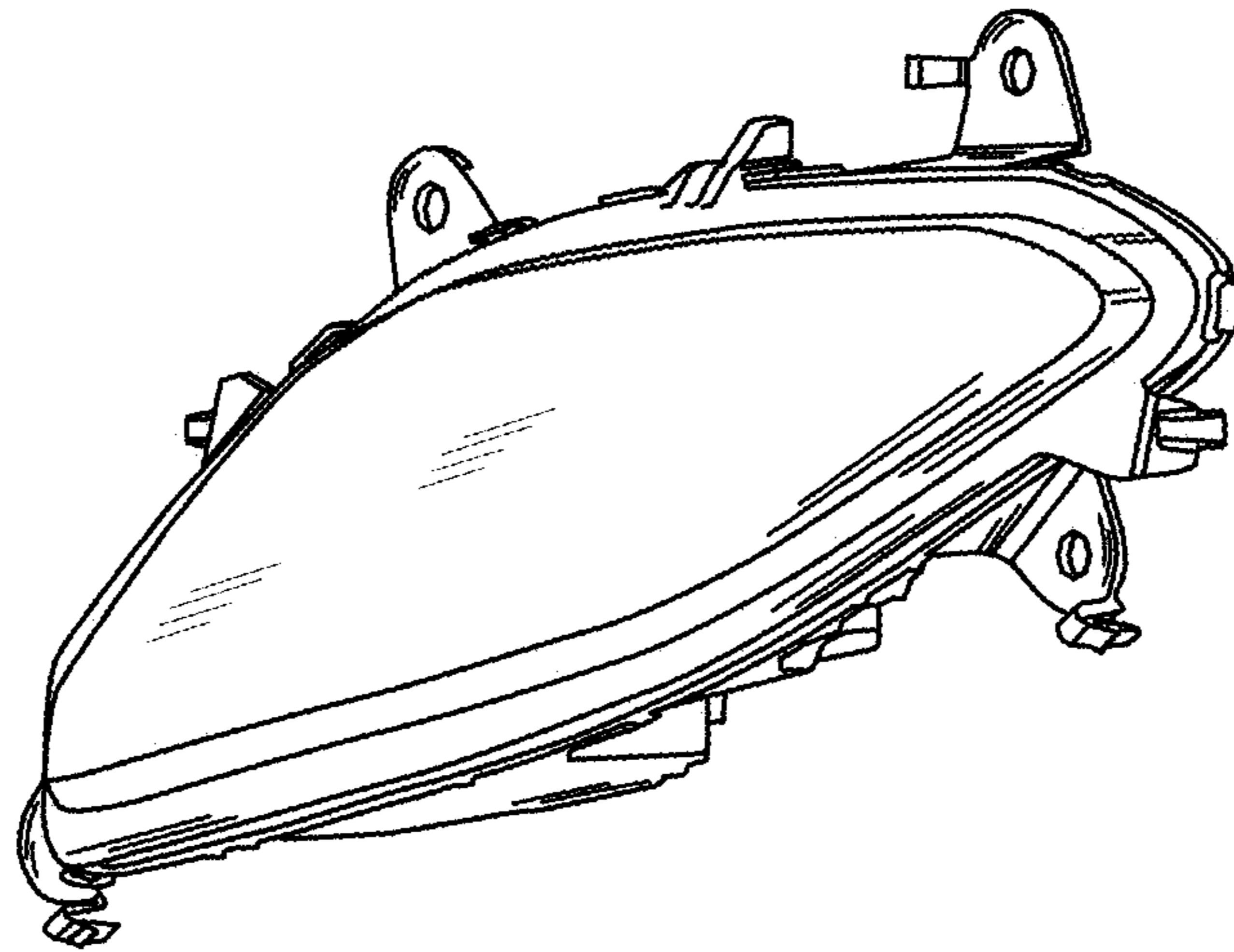


FIG. 10

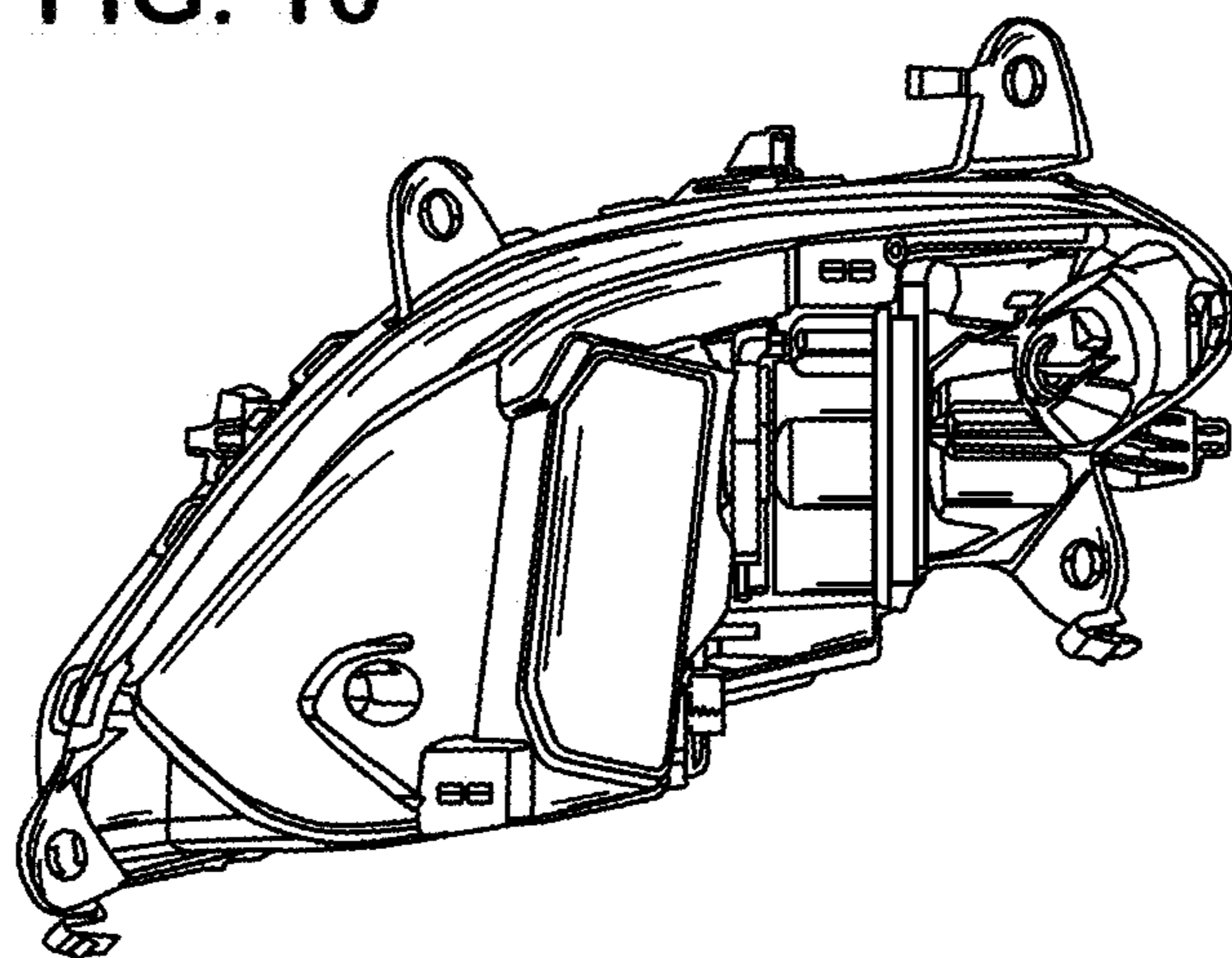


FIG. 11

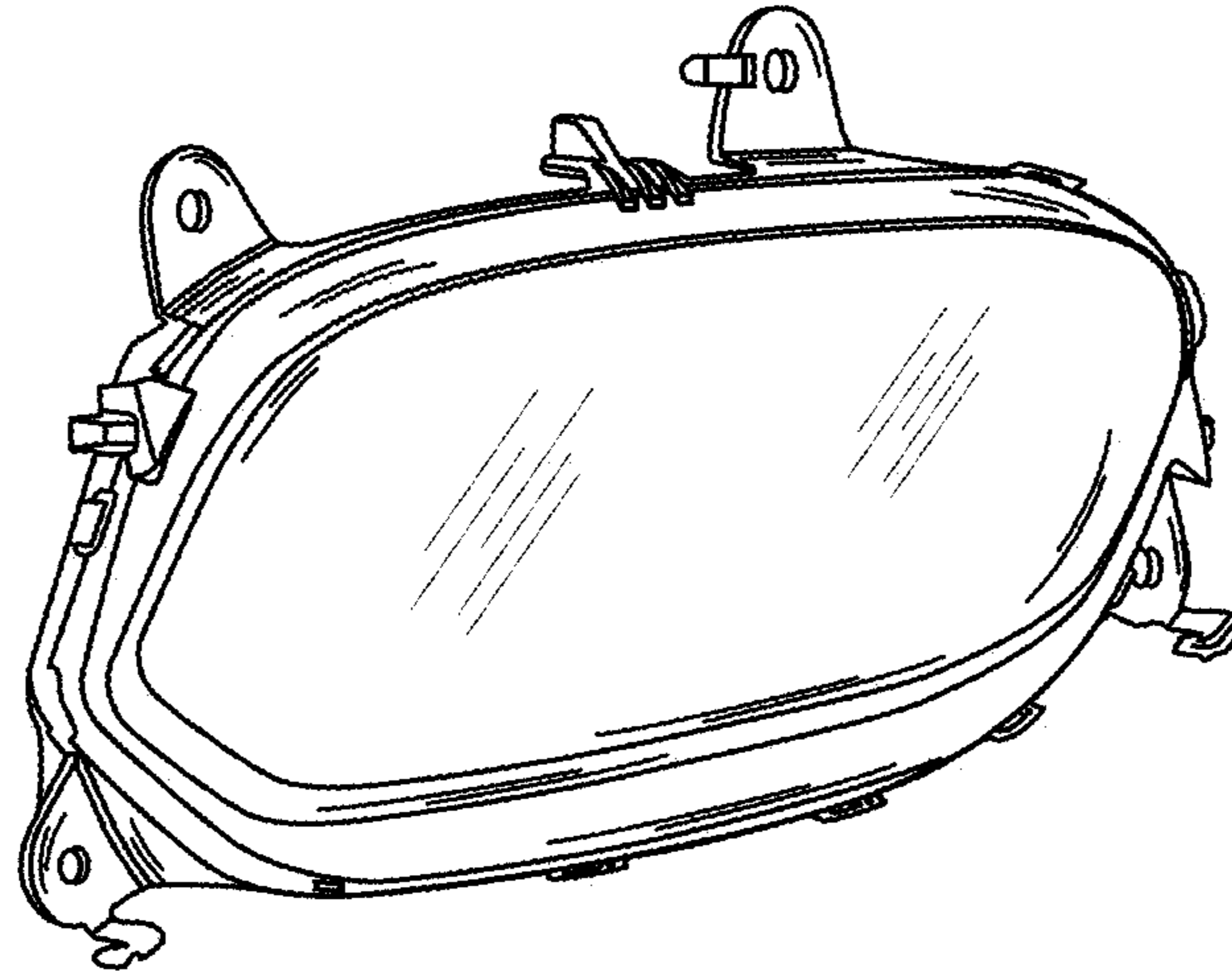


FIG. 12

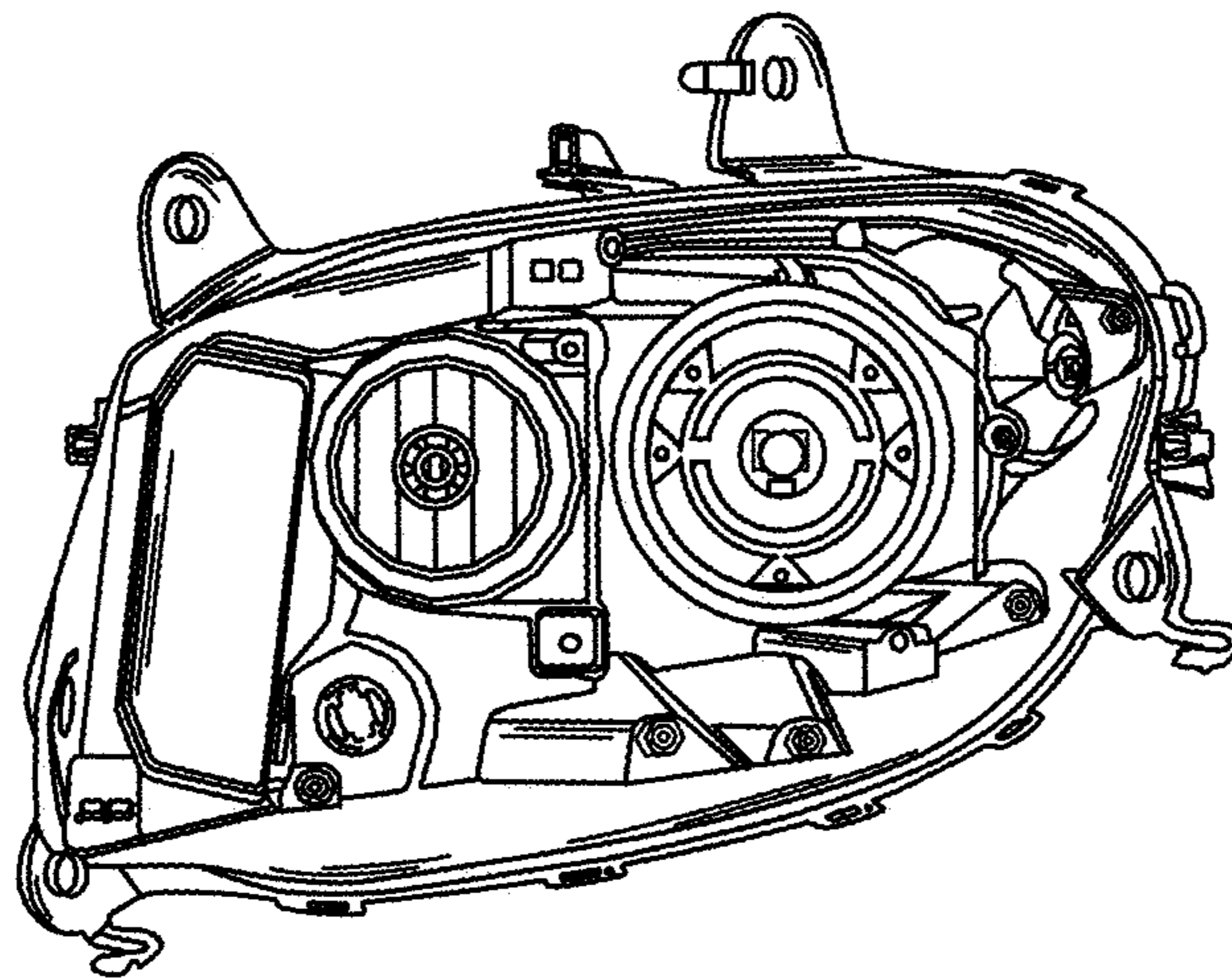


FIG. 13

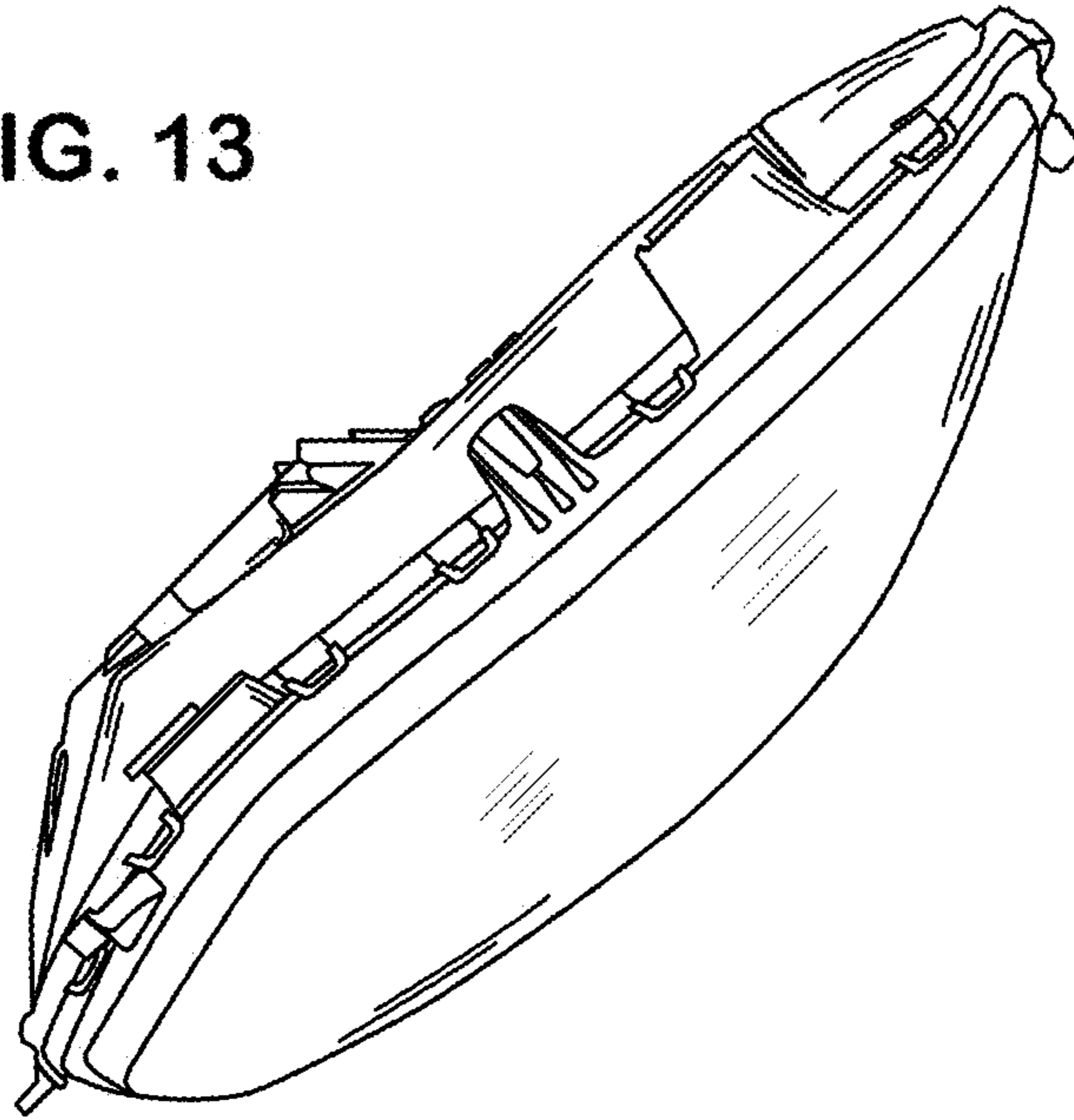


FIG. 14

