



US00D957572S

(12) **United States Design Patent**
Huang

(10) **Patent No.:** **US D957,572 S**

(45) **Date of Patent:** **** Jul. 12, 2022**

(54) **SPRAY NOZZLE**

(71) Applicant: **Hung Ta Garden Enterprise Co., Ltd.**, Fenyuan Township, Changhua County (TW)

(72) Inventor: **Guo-Luen Huang**, Fenyuan Township (TW)

(73) Assignee: **Hung Ta Garden Enterprise Co., Ltd.**, Fenyuan Township (TW)

(**) Term: **15 Years**

(21) Appl. No.: **29/775,385**

(22) Filed: **Mar. 23, 2021**

(51) **LOC (13) Cl.** **23-01**

(52) **U.S. Cl.**
USPC **D23/223**

(58) **Field of Classification Search**
USPC D23/213, 214, 215, 222, 223, 224, 226, D23/229, 230
CPC A61H 9/0021; A61H 33/00; B05B 1/00; B05B 1/14; B05B 1/185; B05B 1/08; B05B 1/02; B05B 1/26; B05B 12/002; B05B 1/18; B05B 9/01

See application file for complete search history.

(56) **References Cited**

U.S. PATENT DOCUMENTS

| | | | | | |
|-----------|------|---------|---------|-------|------------------------|
| D369,207 | S * | 4/1996 | Wang | | D23/223 |
| D434,106 | S * | 11/2000 | Hsin-Fa | | D23/223 |
| 6,367,716 | B1 * | 4/2002 | Wang | | B05B 1/3026 239/525 |
| D564,065 | S * | 3/2008 | Yu | | D23/223 |
| D576,252 | S * | 9/2008 | Lo | | D23/223 |
| D584,380 | S * | 1/2009 | Cheng | | D23/223 |
| D584,381 | S * | 1/2009 | Hung | | D23/223 |
| D585,109 | S * | 1/2009 | Cheng | | D23/223 |

| | | | | | |
|----------|-----|---------|--------|-------|---------|
| D604,390 | S * | 11/2009 | Cheng | | D23/223 |
| D650,042 | S * | 12/2011 | Nies | | D23/223 |
| D713,934 | S * | 9/2014 | Mammen | | D23/226 |
| D768,817 | S * | 10/2016 | Chen | | D23/223 |
| D792,944 | S * | 7/2017 | Cheng | | D23/224 |
| D792,945 | S * | 7/2017 | Cheng | | D23/224 |
| D792,947 | S * | 7/2017 | Hung | | D23/226 |
| D800,255 | S * | 10/2017 | Chen | | D23/226 |
| D822,160 | S * | 7/2018 | Urry | | D23/223 |
| D846,072 | S * | 4/2019 | Pease | | D23/223 |
| D924,022 | S * | 7/2021 | Glover | | D8/2 |

OTHER PUBLICATIONS

Solterra 56218 8—Pattern Garden Hose Nozzle, Jan. 16, 2020, Amazon.com, Sep. 8, 2021, URL: <https://www.amazon.com/Solterra-56218-8-Pattern-Garden-Control/dp/B07RJ6537W> (Year: 2020).*

(Continued)

Primary Examiner — Jack Reickel

Assistant Examiner — Keith J Wilson

(74) *Attorney, Agent, or Firm* — Karin L. Williams; Alan D. Kamrath; Mayer & Williams PC

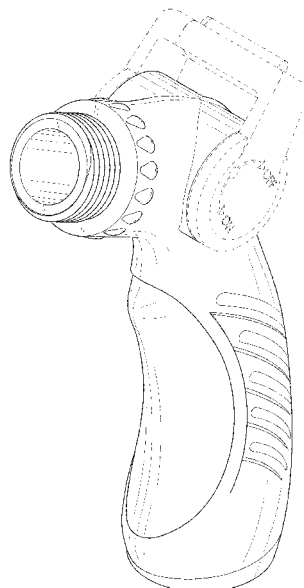
(57) **CLAIM**

The ornamental design for a spray nozzle, as shown and described.

DESCRIPTION

FIG. 1 is a perspective view of a spray nozzle showing my new design;
FIG. 2 is a front view thereof;
FIG. 3 is a rear view thereof;
FIG. 4 is a left view thereof;
FIG. 5 is a right view thereof;
FIG. 6 is a top view thereof; and,
FIG. 7 is a bottom view thereof.
The broken line shown represents portions of a spray nozzle and form no part of the claimed design.

1 Claim, 6 Drawing Sheets



(56)

References Cited

OTHER PUBLICATIONS

Green Mount Garden Hose Nozzle, May 9, 2020, Amazon.com, Sep. 8, 2021, URL: <https://www.amazon.com/dp/B08RRVGQ8G> (Year: 2020).*

Orbit Max 26701 Thumb Control Adjustable Nozzle, Dec. 13, 2018, Amazon.com, Sep. 8, 2021, URL: <https://www.amazon.com/Orbit-Max-Control-Adjustable-Nozzle/dp/B07L39M8XS> (Year: 2018).*

Garden Hose Nozzle—10 Adjustable Patterns Metal High Pressure, Mar. 20, 2021, amazon.ca, URL: <https://www.amazon.ca/dp/B08TGZGY9P/> (Year: 2021).*

Amazon Basics Garden Tool Collection—3-way Rear Trigger Nozzle, Jan. 31, 2020, amazon.ca, Apr. 5, 2022, URL: <https://www.amazon.ca/dp/B0813ZM38S/> (Year: 2020).*

“Plastic Spray Nozzle” Apr. 23, 2019, Aquahung, site visited Apr. 6, 2022: <https://www.aquahung.com/plastic-spray-nozzle.html> (Year: 2019).*

* cited by examiner

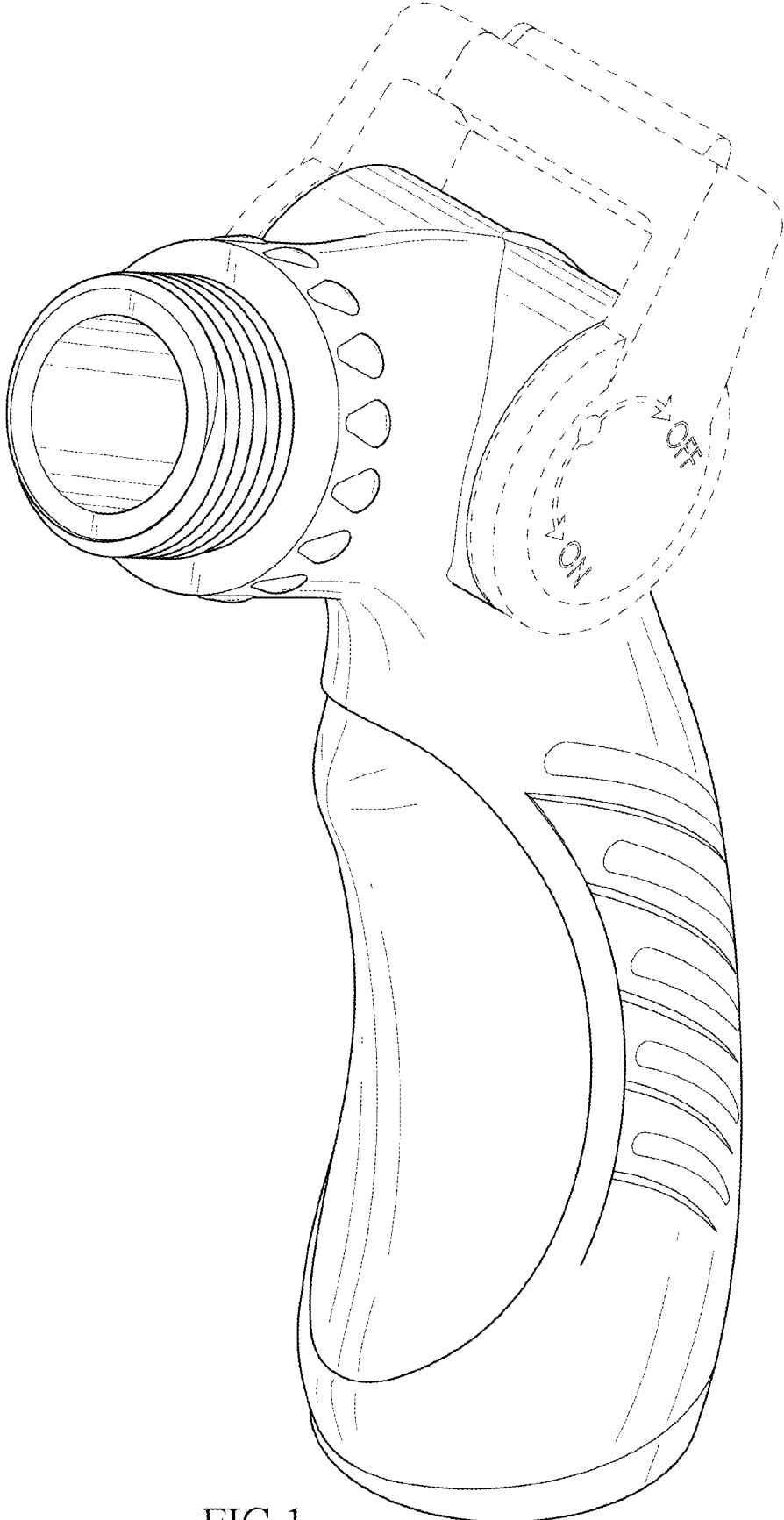


FIG.1

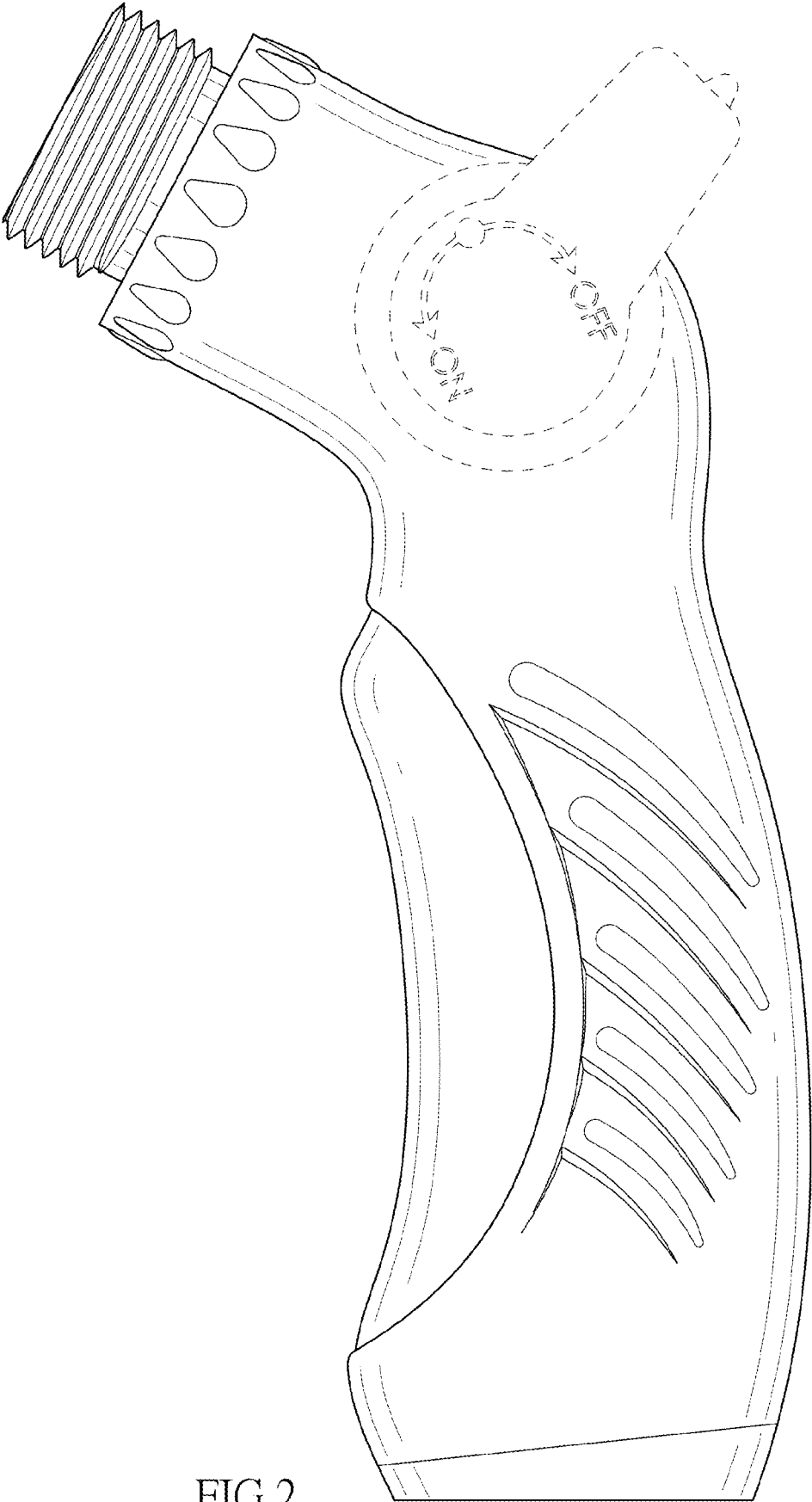


FIG.2

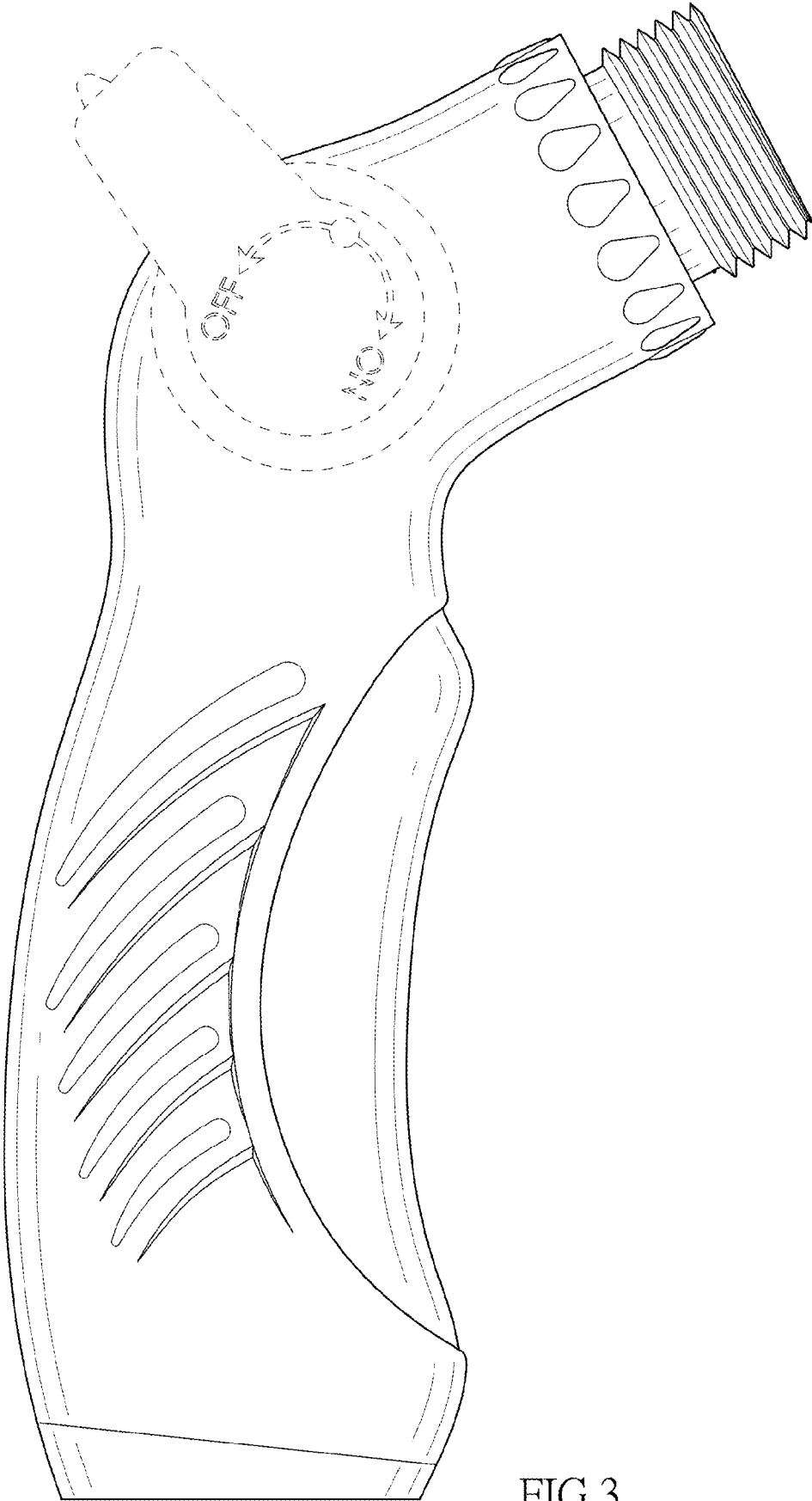


FIG.3

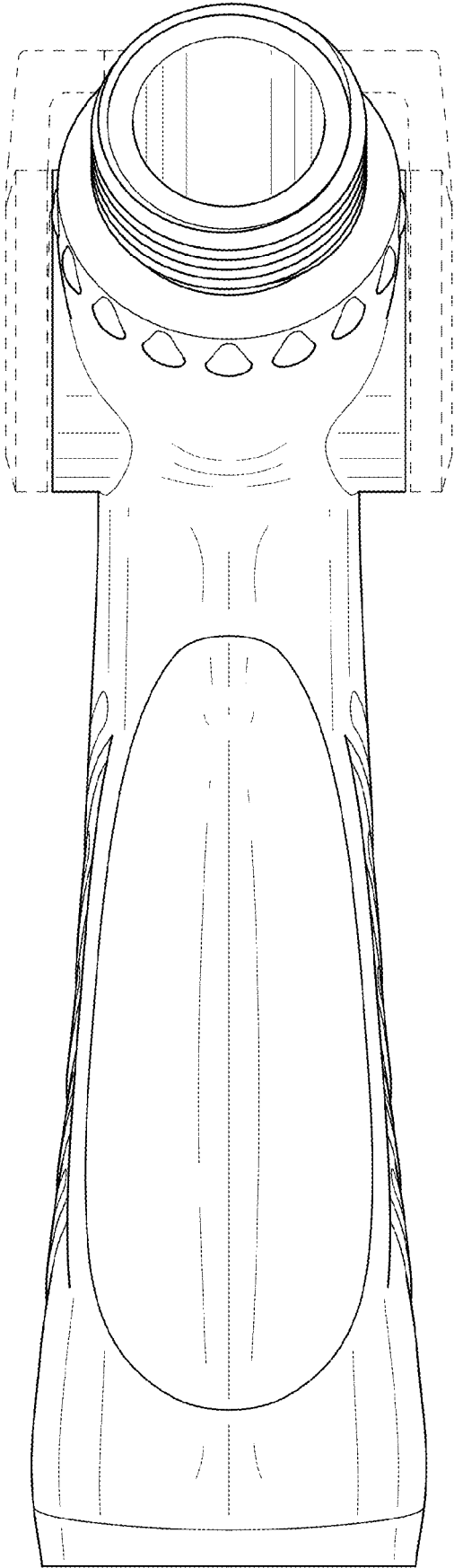


FIG.4

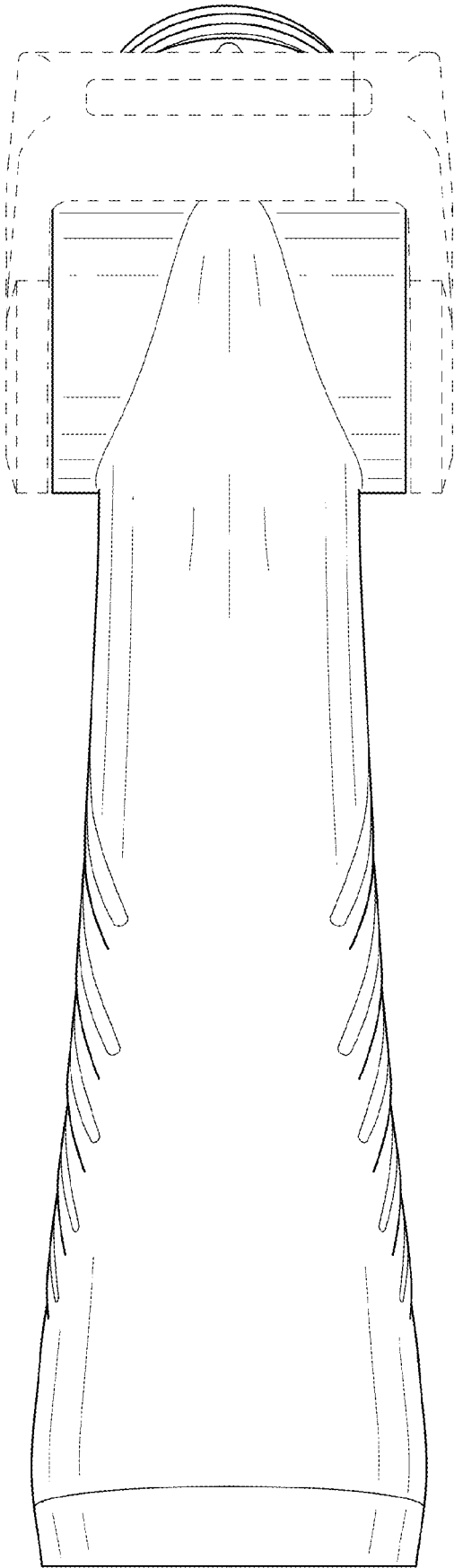


FIG.5

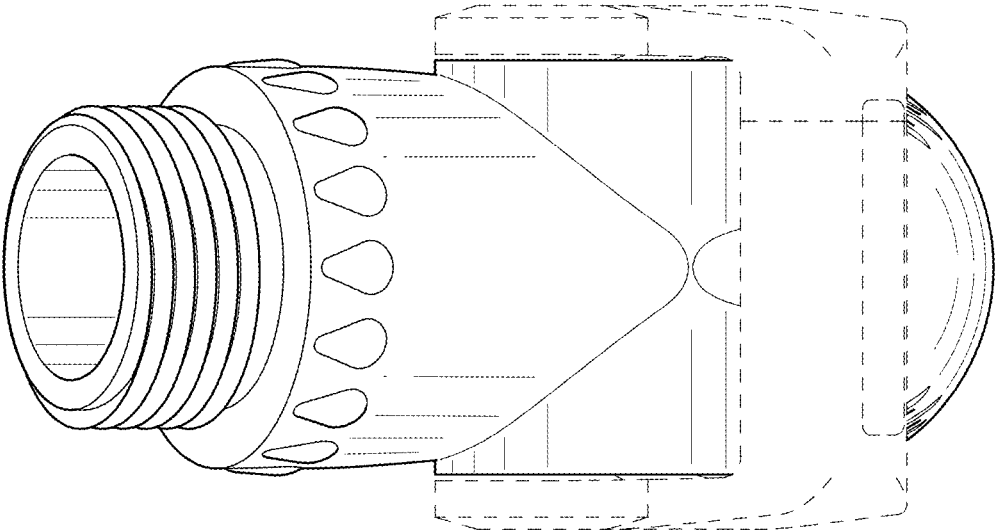


FIG.6

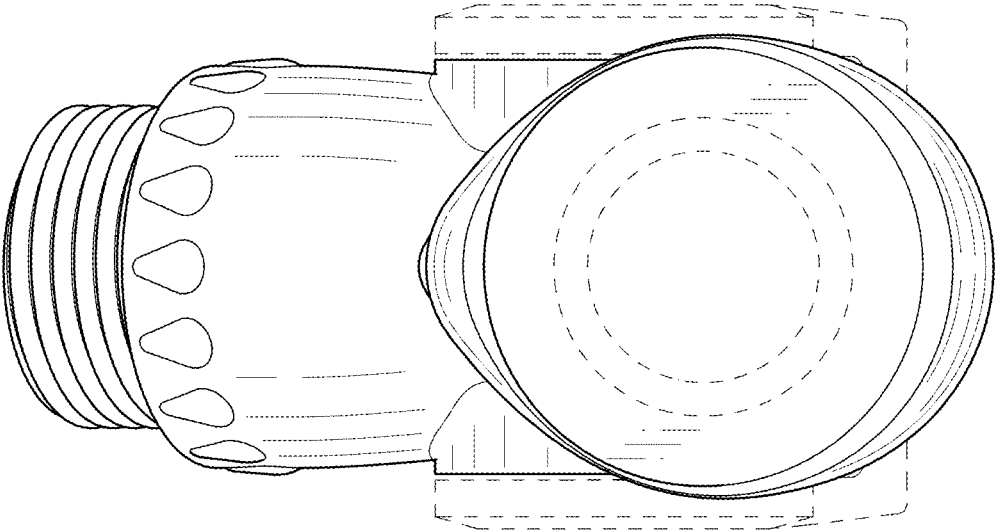


FIG.7