



US00D886307S

(12) **United States Design Patent**  
**Perkins**

(10) **Patent No.:** **US D886,307 S**

(45) **Date of Patent:** **\*\* Jun. 2, 2020**

(54) **HIP BRACE**

(71) Applicant: **Impact IP, LLC**, Rocklin, CA (US)

(72) Inventor: **Jeremy Perkins**, Rocklin, CA (US)

(73) Assignee: **Impact IP, LLC**, Rocklin, CA (US)

(\*\*) Term: **15 Years**

(21) Appl. No.: **29/693,700**

(22) Filed: **Jun. 4, 2019**

(51) **LOC (12) Cl.** ..... **24-01**

(52) **U.S. Cl.**

USPC ..... **D24/190**

(58) **Field of Classification Search**

USPC ..... D24/188-192

CPC ..... A61F 5/0193; A61F 5/0102; A61F 5/028;  
A61F 5/30; A61F 2005/0132; A61F  
2005/0183; A61F 5/01; A61F 5/3715;  
A61F 2005/0158; A61F 5/0123; A61F  
2002/7615; A61F 2005/0165; A61F  
2005/0172; A61F 2005/0181; A61F  
2005/0188; A61F 2005/0197; A61F  
13/041; A61F 13/06; A61F 13/146

See application file for complete search history.

(56) **References Cited**

**U.S. PATENT DOCUMENTS**

D239,981 S	5/1976	Arluck et al.	
D293,354 S	12/1987	Nelson	
4,790,855 A	12/1988	Jolly	
D332,495 S	1/1993	Mae	
D338,963 S	8/1993	Kilbey	
5,421,810 A	6/1995	Davis	
D377,833 S *	2/1997	Schwartz	..... D24/190
D393,073 S	3/1998	Downing et al.	
5,840,050 A	11/1998	Lerman	

(Continued)

**FOREIGN PATENT DOCUMENTS**

DE	102013203353	7/2018
EP	1588678	6/2007
KR	300559065	2/2010

**OTHER PUBLICATIONS**

Hip Support, REH4MAT; site visited May 30, 2019; <https://reh4mat.com/en/produkt/hip-stabilixation/hip-support-am-sb-01>.

(Continued)

*Primary Examiner* — Jennifer L Watkins

(74) *Attorney, Agent, or Firm* — Stoel Rives LLP

(57) **CLAIM**

The ornamental design for a hip brace, as shown and described.

**DESCRIPTION**

FIG. 1 is a rear view of a hip brace in a disassembled configuration.

FIG. 2 is a front view of the hip brace of FIG. 1 in the disassembled configuration.

FIG. 3 is a rear view of the hip brace of FIG. 1 in an assembled configuration.

FIG. 4 is a top view of the hip brace of FIG. 3

FIG. 5 is a left view of the hip brace of FIG. 3.

FIG. 6 is front view of the hip brace of FIG. 3.

FIG. 7 is a bottom view of the hip brace of FIG. 3.

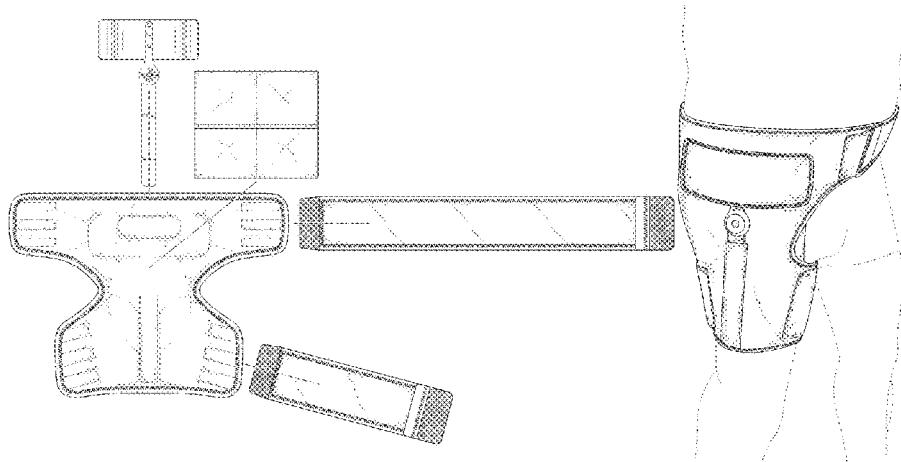
FIG. 8 is a right view of the hip brace of FIG. 3.

FIG. 9 is a perspective view of the front side of the hip brace of FIG. 3 strapped onto a human body; and,

FIG. 10 is a perspective view of the front side of the hip brace of FIG. 3 strapped onto a human body.

The broken lines showing portions of a human are for the purpose of illustrating environment and form no part of the claim. The evenly dashed broken lines on the hip brace are for the purpose of illustrating stitching that form no part of the claim. The dash dot dash lines in FIGS. 1 and 2 are reference lines for the purpose of illustrating the position of attachment.

**1 Claim, 6 Drawing Sheets**



(56)

**References Cited**

U.S. PATENT DOCUMENTS

D405,884 S 2/1999 Roper  
 D411,356 S 6/1999 Roper  
 6,039,707 A 3/2000 Crawford et al.  
 D439,343 S \* 3/2001 Kagan, II ..... D24/190  
 6,254,559 B1 7/2001 Tyrell  
 6,540,703 B1 4/2003 Lerman  
 D510,140 S 9/2005 Brown  
 D559,393 S 1/2008 Schirmacher  
 D568,482 S 5/2008 Gramza et al.  
 7,775,999 B2 \* 8/2010 Brown ..... A61F 5/0193  
 128/846  
 D626,245 S 10/2010 Sagnip et al.  
 8,708,941 B2 4/2014 Paaske et al.  
 D717,453 S 11/2014 Mahtani  
 8,894,595 B2 \* 11/2014 Hennessy ..... A61F 5/0193  
 602/16  
 9,468,554 B2 10/2016 Petursson et al.

D800,327 S 10/2017 Dawson  
 D833,629 S \* 11/2018 Chang ..... D24/190  
 10,159,588 B1 12/2018 Nelson  
 2010/0292622 A1 11/2010 Weissleder et al.  
 2012/0289878 A1 11/2012 Schwenn et al.  
 2016/0113801 A1 4/2016 Weissleder  
 2017/0216076 A1 8/2017 Turconi et al.

OTHER PUBLICATIONS

Hoffner Underguard Covert Thigh Weapon & Accessory Holster, Hoffner Knives; site visited May 30, 2019; <https://www.amazon.com/Hoffner-Underguard-Accessory-Holster-Garments/dp/B0791XQJCL>.  
 Neoprene Knit Thigh Holster, Innovative Scuba Concepts; site visited May 30, 2019; <http://www.spearfishingworld.com/neoprene-knife-thigh-holster.html>, 2019.

\* cited by examiner

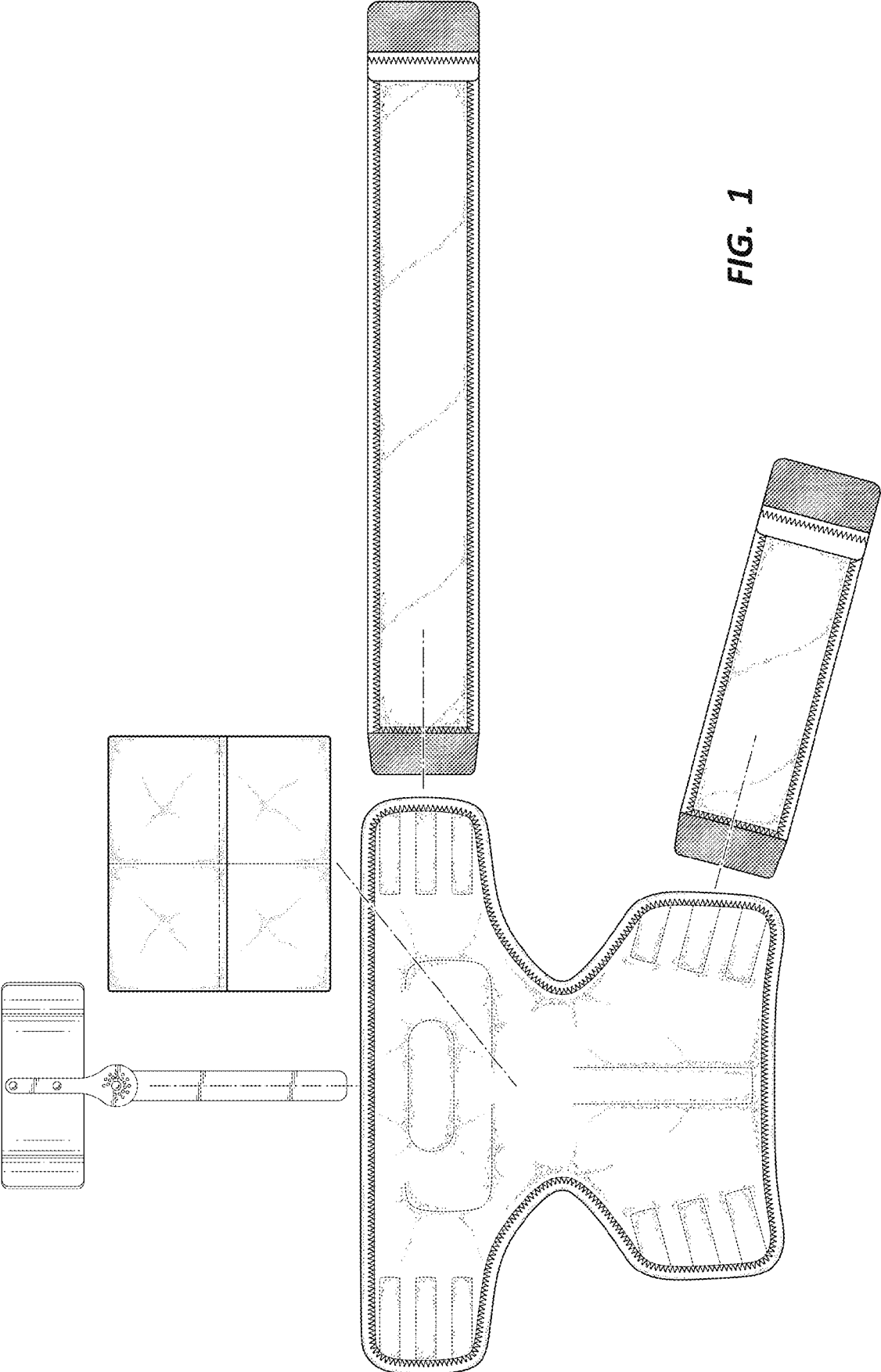


FIG. 1

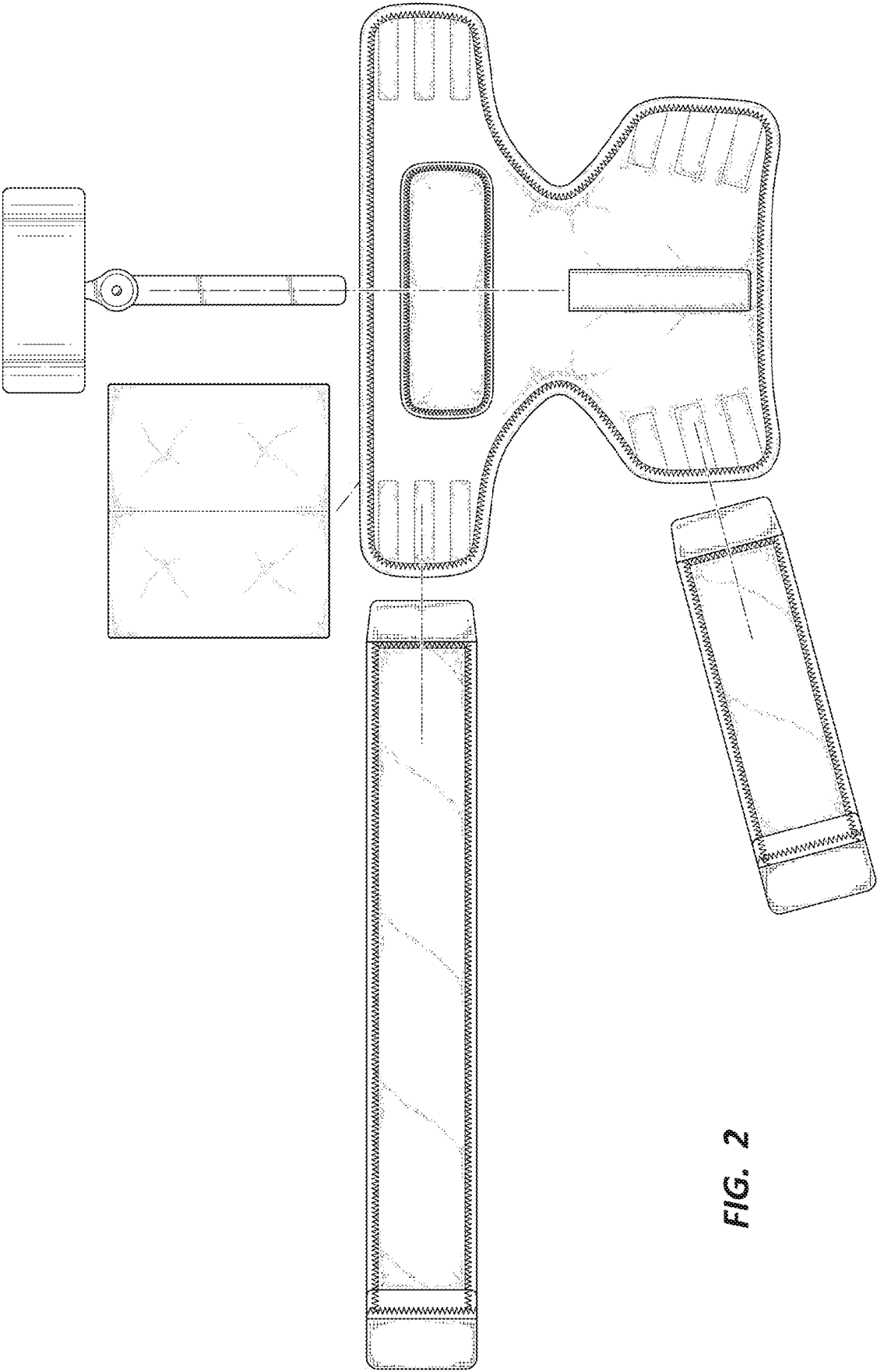


FIG. 2



FIG. 4

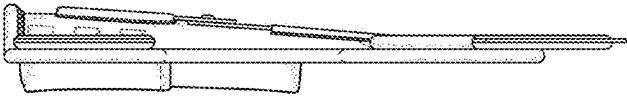


FIG. 5

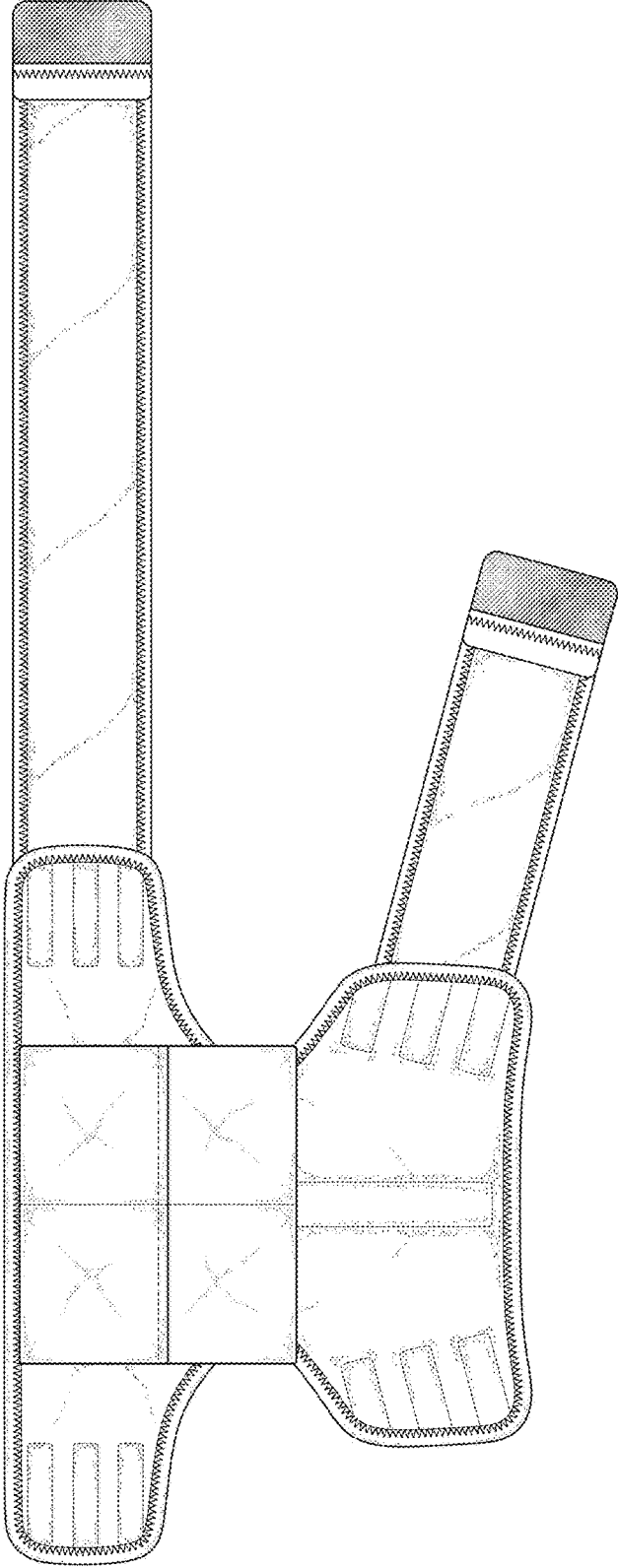


FIG. 3

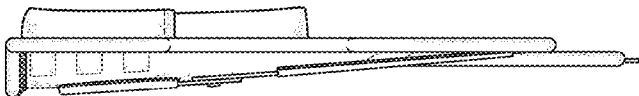


FIG. 8

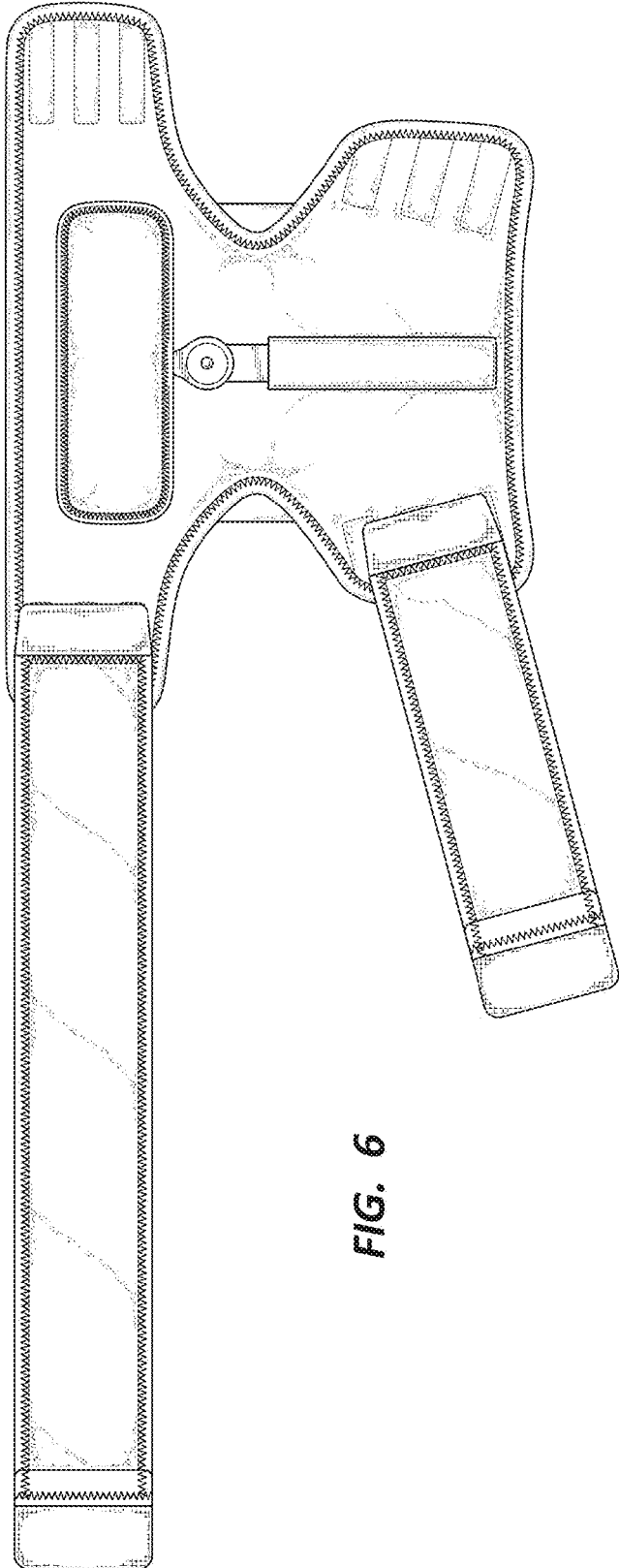


FIG. 6

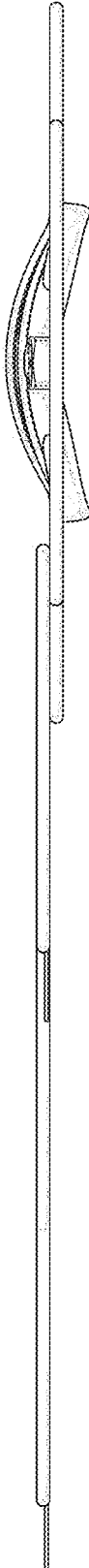


FIG. 7

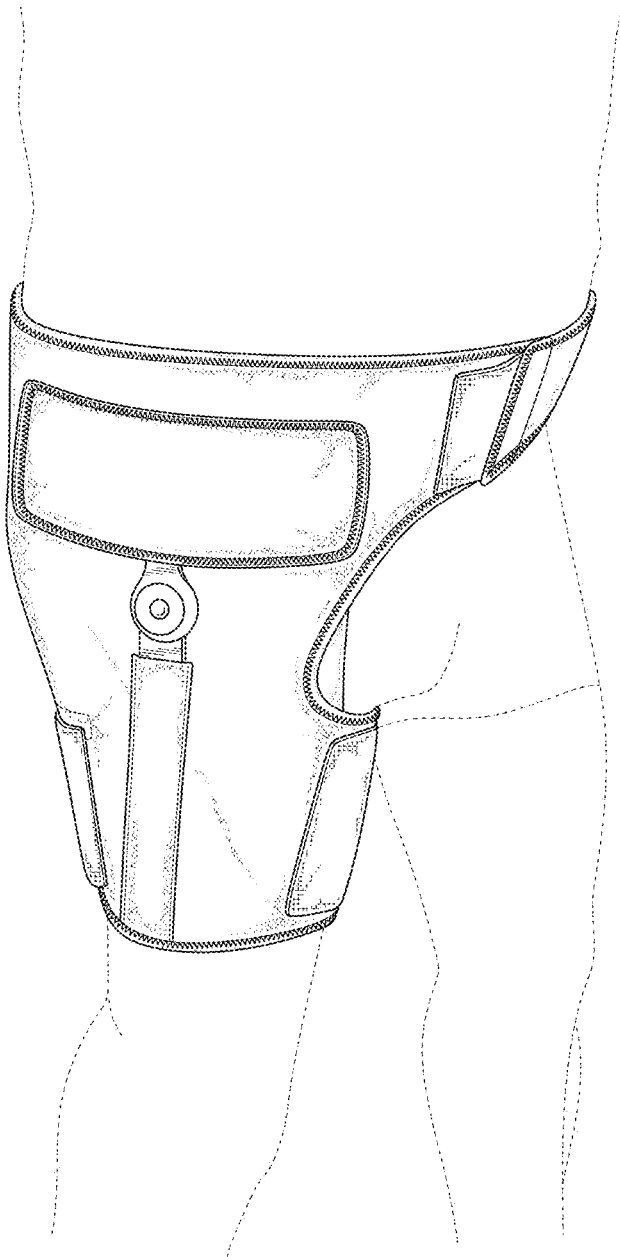
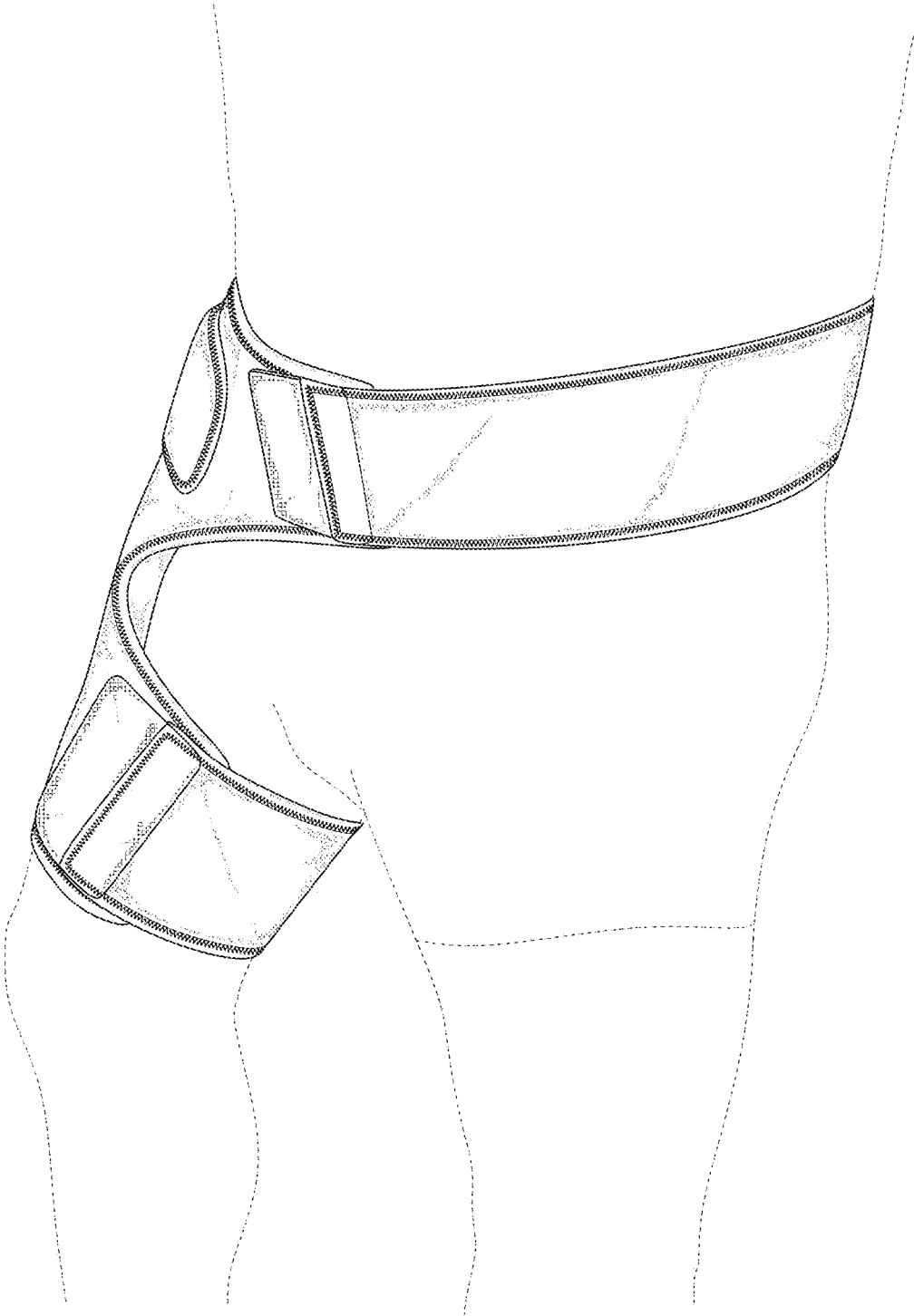


FIG. 9



**FIG. 10**