

(19) World Intellectual Property
Organization
International Bureau



(43) International Publication Date
22 January 2004 (22.01.2004)

PCT

(10) International Publication Number
WO 2004/006715 A3

(51) International Patent Classification⁷: **A47G 19/08**

(21) International Application Number:
PCT/US2003/000921

(22) International Filing Date: 14 January 2003 (14.01.2003)

(25) Filing Language: English

(26) Publication Language: English

(30) Priority Data:
10/194,283 15 July 2002 (15.07.2002) US
10/309,098 4 December 2002 (04.12.2002) US

CZ, DE, DK, DM, DZ, EC, EE, ES, FI, GB, GD, GE, GH, GM, HR, HU, ID, IL, IN, IS, JP, KE, KG, KP, KR, KZ, LC, LK, LR, LS, LT, LU, LV, MA, MD, MG, MK, MN, MW, MX, MZ, NO, NZ, OM, PH, PL, PT, RO, RU, SC, SD, SE, SG, SK, SL, TJ, TM, TN, TR, TT, TZ, UA, UG, US, UZ, VC, VN, YU, ZA, ZM, ZW.

(84) Designated States (*regional*): ARIPO patent (GH, GM, KE, LS, MW, MZ, SD, SL, SZ, TZ, UG, ZM, ZW), Eurasian patent (AM, AZ, BY, KG, KZ, MD, RU, TJ, TM), European patent (AT, BE, BG, CH, CY, CZ, DE, DK, EE, ES, FI, FR, GB, GR, HU, IE, IT, LU, MC, NL, PT, SE, SI, SK, TR), OAPI patent (BF, BJ, CF, CG, CI, CM, GA, GN, GQ, GW, ML, MR, NE, SN, TD, TG).

(71) Applicant and
(72) Inventor: **FLETCHER, Morgan** [US/US]; 4990 Coquina Key Drive, S.E., St. Petersburg, FL 33705 (US).

Published:
— with international search report

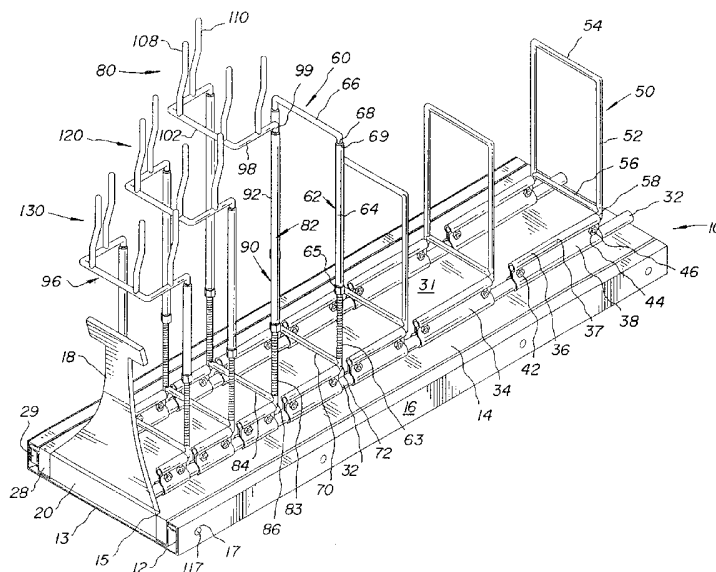
(74) Agent: **HALE, John, S.**; 6665-A Old Dominion Drive, McLean, VA 22101 (US).

(88) Date of publication of the international search report:
21 October 2004

(81) Designated States (*national*): AE, AG, AL, AM, AT, AU, AZ, BA, BB, BG, BR, BY, BZ, CA, CH, CN, CO, CR, CU,

For two-letter codes and other abbreviations, refer to the "Guidance Notes on Codes and Abbreviations" appearing at the beginning of each regular issue of the PCT Gazette.

(54) Title: ADJUSTABLE STORAGE RACK FOR POTS, PANS AND LIDS



(57) Abstract: A storage rack (10) for storing pots, pans, skillets and lids comprising an adjustable storage rack constructed with a stand (12) and a base (13) member mounted to the stand. A plurality of wire members (60) are mounted on clamp members (34) which are mounted on rails (29) secured to the base member. The clamp member can be slidably positioned on the rails prior to the securing of them in a fixed position on the rails and extending upward from the base member. The wire members have sleeve assemblies 64 forming the upright supports, the sleeve assemblies providing height adjustment of the wire member. A plurality of the wire members include a lid holding assembly.

WO 2004/006715 A3

INTERNATIONAL SEARCH REPORT

International application No.

PCT/US03/00921

A. CLASSIFICATION OF SUBJECT MATTER

IPC(7) : A47G 19/08

US CL : 211/41.11

According to International Patent Classification (IPC) or to both national classification and IPC

B. FIELDS SEARCHED

Minimum documentation searched (classification system followed by classification symbols)

U.S. : 211/41.11, 41.5, 41.4, 41.3, 41.2, 175, 71.01

Documentation searched other than minimum documentation to the extent that such documents are included in the fields searched

Electronic data base consulted during the international search (name of data base and, where practicable, search terms used)

C. DOCUMENTS CONSIDERED TO BE RELEVANT

Category*	Citation of document, with indication, where appropriate, of the relevant passages	Relevant to claim No.
X	US 910,057 A (GREENER) 19 January 1909, entire document.	1, 3, 4, 7, 8, 9, 20, 23
A	US 2,536,268 A (DILLON) 02 January 1951, entire document.	1-23
A	US 5,547,087 A (LICARI) 20 August 1996, entire document.	1-23
A	US Des. 181,365 S (MILLER) 05 November 1957, entire document.	1-23
A	US Des. 167,483 S (RUSSO) 12 August 1952, entire document.	1-23
A	US Des. 28,437 S (JONES) 29 March 1898, entire document.	1-23



Further documents are listed in the continuation of Box C.



See patent family annex.

* Special categories of cited documents:	"T" later document published after the international filing date or priority date and not in conflict with the application but cited to understand the principle or theory underlying the invention
"A" document defining the general state of the art which is not considered to be of particular relevance	"X" document of particular relevance; the claimed invention cannot be considered novel or cannot be considered to involve an inventive step when the document is taken alone
"E" earlier document published on or after the international filing date	"Y" document of particular relevance; the claimed invention cannot be considered to involve an inventive step when the document is combined with one or more other such documents, such combination being obvious to a person skilled in the art
"L" document which may throw doubts on priority claim(s) or which is cited to establish the publication date of another citation or other special reason (as specified)	"&" document member of the same patent family
"O" document referring to an oral disclosure, use, exhibition or other means	
"P" document published prior to the international filing date but later than the priority date claimed	

Date of the actual completion of the international search

19 OCTOBER 2003

Date of mailing of the international search report

06 NOV 2003

Name and mailing address of the ISA/US
Commissioner of Patents and Trademarks
Box PCT
Washington, D.C. 20231

Facsimile No. (703) 305-3230

Authorized officer

SARAH PUROL

Telephone No. (703) 308-2168

INTERNATIONAL SEARCH REPORT

International application No.
PCT/US03/00921

C (Continuation). DOCUMENTS CONSIDERED TO BE RELEVANT

Category*	Citation of document, with indication, where appropriate, of the relevant passages	Relevant to claim No.
A	US Des. 27,604 S (SCOTT) 31 August 1897, entire document.	1-23
A	US Des. 27,603 S (SCOTT) 31 August 1897, entire document.	1-23