

[54] HOUSING FOR AN ELECTRICAL CONNECTOR

[75] Inventors: Kiyohito Fukuda; Masanori Tsuji; Masanori Tsuji, all of Shizuoka, Japan

[73] Assignee: Yazaki Corporation, Japan

[**] Term: 14 Years

[21] Appl. No.: 210,709

[22] Filed: Jun. 23, 1988

[30] Foreign Application Priority Data

Dec. 23, 1987 [JP] Japan 62-52156

[52] U.S. Cl.: D13/133

[58] Field of Search D13/133, 137, 138, 139, D13/141, 142, 143, 144, 145, 146, 147; 439/218, 576, 680, 599, 595, 149, 353, 354

[56] References Cited

U.S. PATENT DOCUMENTS

D. 280,321	8/1985	Rumble	D13/133
3,560,908	2/1971	Dell et al.	439/353
3,747,047	7/1973	Carter et al.	439/354
4,255,007	3/1981	Michaels et al.	439/353

4,258,970	3/1981	Bourdon et al.	439/149
4,655,525	4/1987	Hunt, III et al.	439/599
4,708,662	11/1987	Klein	439/353
4,740,169	4/1988	Gordon	439/149
4,820,198	4/1989	Lulko et al.	439/595

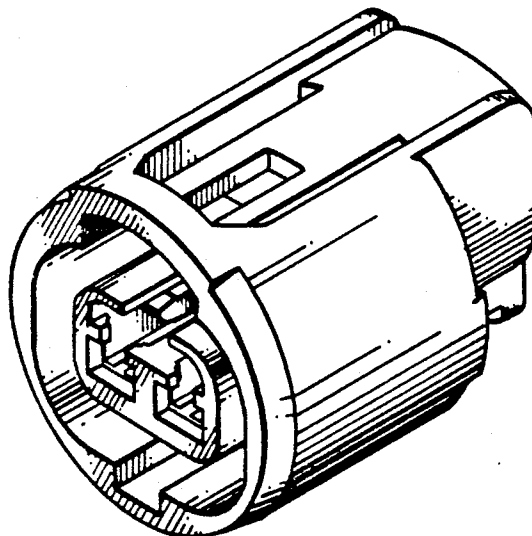
Primary Examiner—James M. Gandy
Assistant Examiner—Melody N. Brown
Attorney, Agent, or Firm—Jones, Askew & Lunsford

[57] CLAIM

The ornamental design for a housing for an electrical connector, as shown and described.

DESCRIPTION

FIG. 1 is a perspective view of a housing for an electrical connector showing our new design; FIG. 2 is a top plan view thereof. FIG. 3 is a front elevation view thereof. FIG. 4 is a rear elevation view thereof. FIG. 5 is a bottom plan view thereof. FIG. 6 is a right side elevation view thereof, the left side elevation view being a mirror image. FIG. 7 is a section view taken along line 7—7 of FIG. 3; FIG. 8 is a section view taken along line 8—8 of FIG. 3; and FIG. 9 is a section view taken along line 9—9 of FIG. 3.



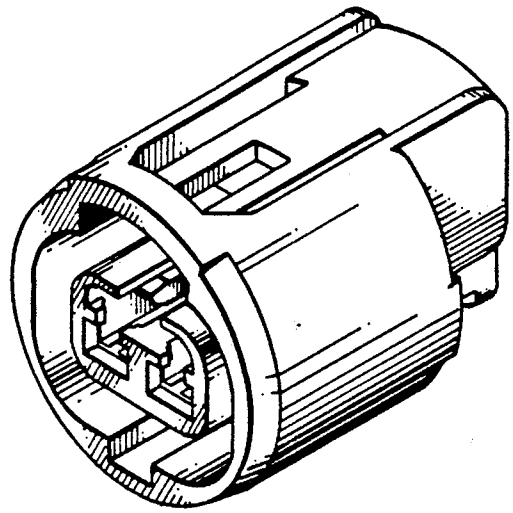


Fig. 1

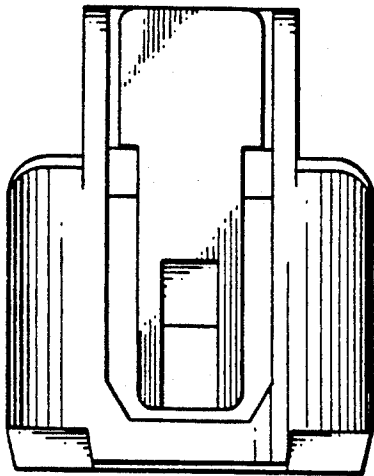


Fig. 2

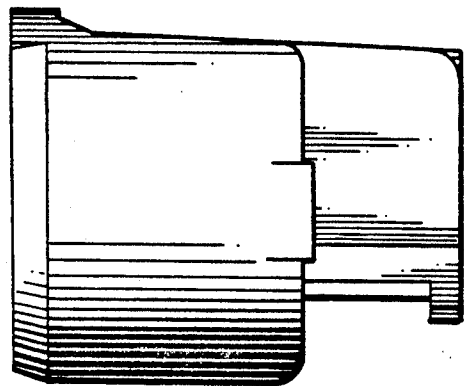


Fig. 6

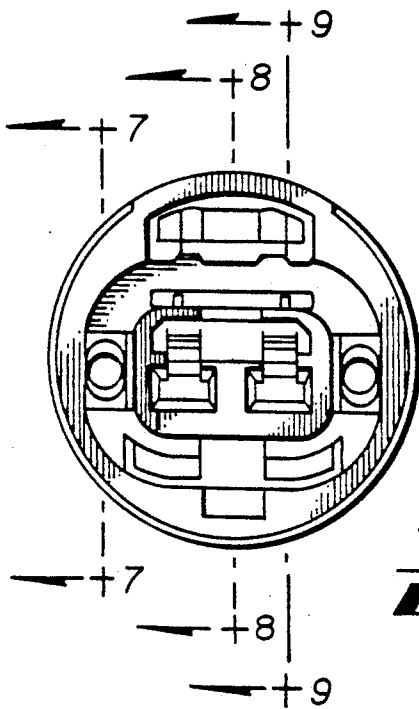


Fig. 3

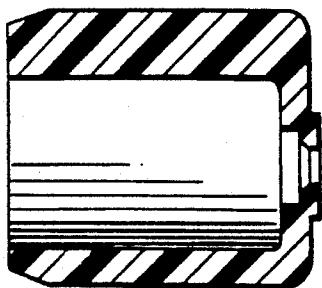


Fig. 7

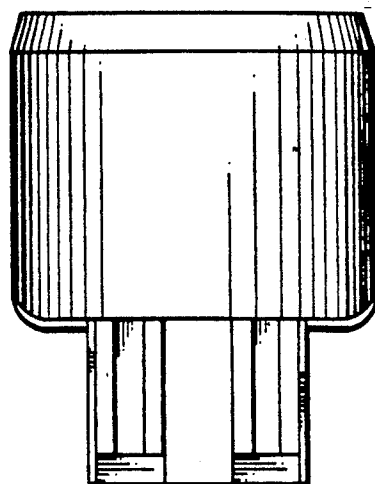


Fig. 5

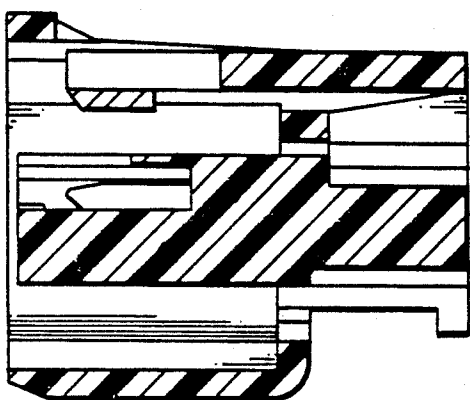


Fig. 8

Fig. 4

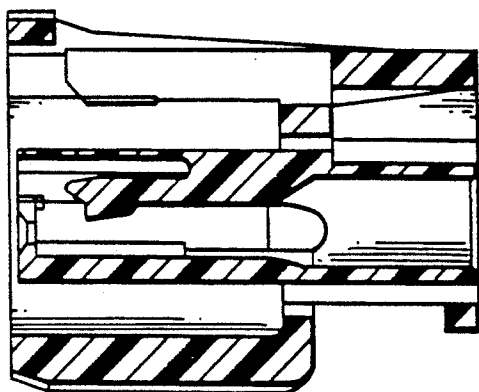
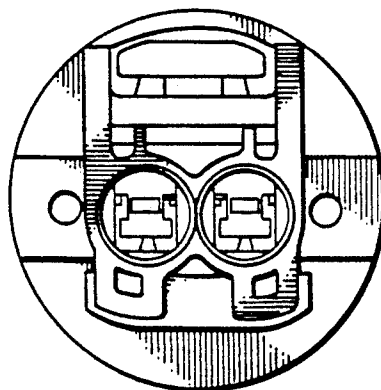


Fig. 9



UNITED STATES PATENT AND TRADEMARK OFFICE
CERTIFICATE OF CORRECTION

PATENT NO. : Des. 317,289

DATED : June 4, 1991

INVENTOR(S) : Masakuni Samejima, Masanori Tsuji, and Kiyohito Fukuda

It is certified that error appears in the above-identified patent and that said Letters Patent is hereby corrected as shown below:

On the title page, under item [19], change "Fukuda et al." to
--Samejima--.

On the title page, item [75], change the listing of Inventors to
--Masakuni Samejima, Masanori Tsuji, and Kiyohito Fukuda--.

Signed and Sealed this
Twenty-third Day of February, 1993

Attest:

STEPHEN G. KUNIN

Attesting Officer

Acting Commissioner of Patents and Trademarks