



(12) **United States Design Patent**
Franzone, Jr. et al.

(10) **Patent No.:** **US D885,909 S**
(45) **Date of Patent:** **** Jun. 2, 2020**

- (54) **DISPLAY HEADER HOOK**
- (71) Applicant: **ALLEN FIELD COMPANY, INC.**,
Brightwaters, NY (US)
- (72) Inventors: **Andrew Franzone, Jr.**, Bay Shore, NY
(US); **Robert Ahearn**, Massapequa, NY
(US); **Eric Seger**, Wantagh, NY (US)
- (73) Assignee: **ALLEN FIELD COMPANY, INC.**,
Brightwaters, NY (US)

D251,891 S *	5/1979	Solomon	D6/315
D276,504 S *	11/1984	Moran	D9/434
D278,291 S *	4/1985	Gurule	D6/328
D296,046 S *	6/1988	Marshall	D6/315
4,766,683 A *	8/1988	Fast	B65D 33/06 40/665
D366,569 S *	1/1996	Coles	D6/315
D376,263 S *	12/1996	Gouldson	D6/315
5,732,921 A *	3/1998	Lemire	A47F 5/0006 24/515

(Continued)

(**) Term: **15 Years**

FOREIGN PATENT DOCUMENTS

GB 2065310 * 8/1997

(21) Appl. No.: **29/688,252**

OTHER PUBLICATIONS

(22) Filed: **Apr. 19, 2019**

Display Hook for Retail: Announced 2020 [online]. Site Visited [Feb. 11, 2020]. Available from Internet URL: <https://www.allenfield.com/product/slide-on-header-hook/>.*

Related U.S. Application Data

(Continued)

(63) Continuation-in-part of application No. 29/626,719, filed on Nov. 20, 2017, now Pat. No. Des. 856,144.

(51) **LOC (12) Cl.** **09-07**

(52) **U.S. Cl.**
USPC **D9/455**

Primary Examiner — Catherine S Posthauer
(74) *Attorney, Agent, or Firm* — Robert L. Epstein;
Epstein Drangel LLP

(58) **Field of Classification Search**
USPC D6/21, 315, 319, 320, 323, 325, 512,
D6/524, 550, 553, 681.1, 709; D9/415,
D9/434, 435, 436, 439, 440, 446, 447,
D9/455, 457, 722; D3/10, 221, 240, 318;
D8/10, 70.1, 71, 101, 339, 349, 354, 356,
D8/360.1, 376, 377, 378, 380, 381, 382,
D8/383, 385; D7/600.1, 601
CPC A45F 5/102; A45F 5/1026; A45F
2005/1033; A47F 7/10; A47F 7/24; A47F
7/26; A47G 25/00; B65D 65/00
See application file for complete search history.

(57) **CLAIM**

The ornamental design for a display header hook, as shown and described.

(56) **References Cited**

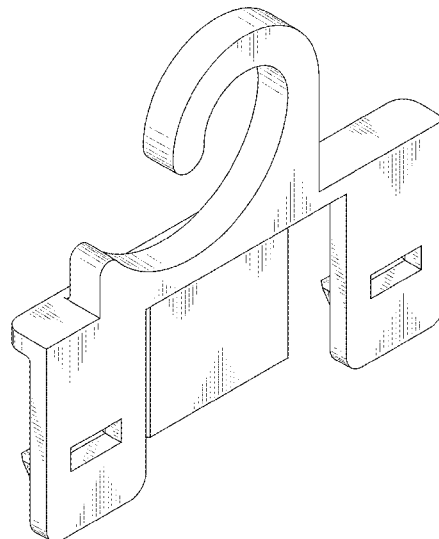
U.S. PATENT DOCUMENTS

D193,256 S *	7/1962	Silver	D6/315
D243,055 S *	1/1977	Blumberg	D6/315

DESCRIPTION

FIG. 1 is a perspective view of the display header hook showing the front, left side and top of the design; FIG. 2 is a front elevation view thereof; FIG. 3 is a back elevation view thereof; FIG. 4 is an elevation view of the left side thereof; FIG. 5 is an elevation view of the right side thereof; FIG. 6 is a top plan view thereof; and, FIG. 7 is a bottom plan view thereof.

1 Claim, 5 Drawing Sheets



(56)

References Cited

U.S. PATENT DOCUMENTS

5,735,395 A * 4/1998 Lo B65D 33/14
 206/278
 D455,348 S * 4/2002 Fludd 294/137
 D466,014 S * 11/2002 Le Roux D9/434
 6,511,114 B1 * 1/2003 Fludd A45F 5/1026
 294/159
 D483,668 S * 12/2003 Le Roux D9/434
 D489,618 S * 5/2004 Startek D9/434
 D503,092 S * 3/2005 Feibelman D9/455
 D538,179 S * 3/2007 Horton D9/752
 D548,073 S * 8/2007 Peaslee D9/434
 D560,372 S * 1/2008 Lee D6/315
 D672,159 S * 12/2012 Lee D6/315
 D709,293 S * 7/2014 Collings D6/323
 D711,658 S * 8/2014 Pelton D6/315
 D715,635 S * 10/2014 Brown D9/415
 D718,063 S * 11/2014 Lee D6/315
 D752,867 S * 4/2016 Morszeck D3/318

D757,454 S * 5/2016 Alesi D6/315
 D782,832 S * 4/2017 Macias D6/315
 D790,233 S * 6/2017 Jefferson D6/315
 D856,144 S * 8/2019 Ahearn D9/455
 D861,359 S * 10/2019 Sung D6/319
 D866,200 S * 11/2019 Losness D6/315
 2013/0221040 A1 * 8/2013 Wright A47G 25/005
 223/85
 2015/0021367 A1 * 1/2015 Schaffer A47G 25/36
 223/85
 2017/0065068 A1 * 3/2017 Martinez A45F 5/1026
 2019/0150637 A1 * 5/2019 Ahearn A47F 7/28

OTHER PUBLICATIONS

Display Hook: Announced 2020 [online]. Site Visited [Feb. 11, 2020]. Available from Internet URL: <https://www.allenfield.com/product-line/hook-series/>.*

* cited by examiner

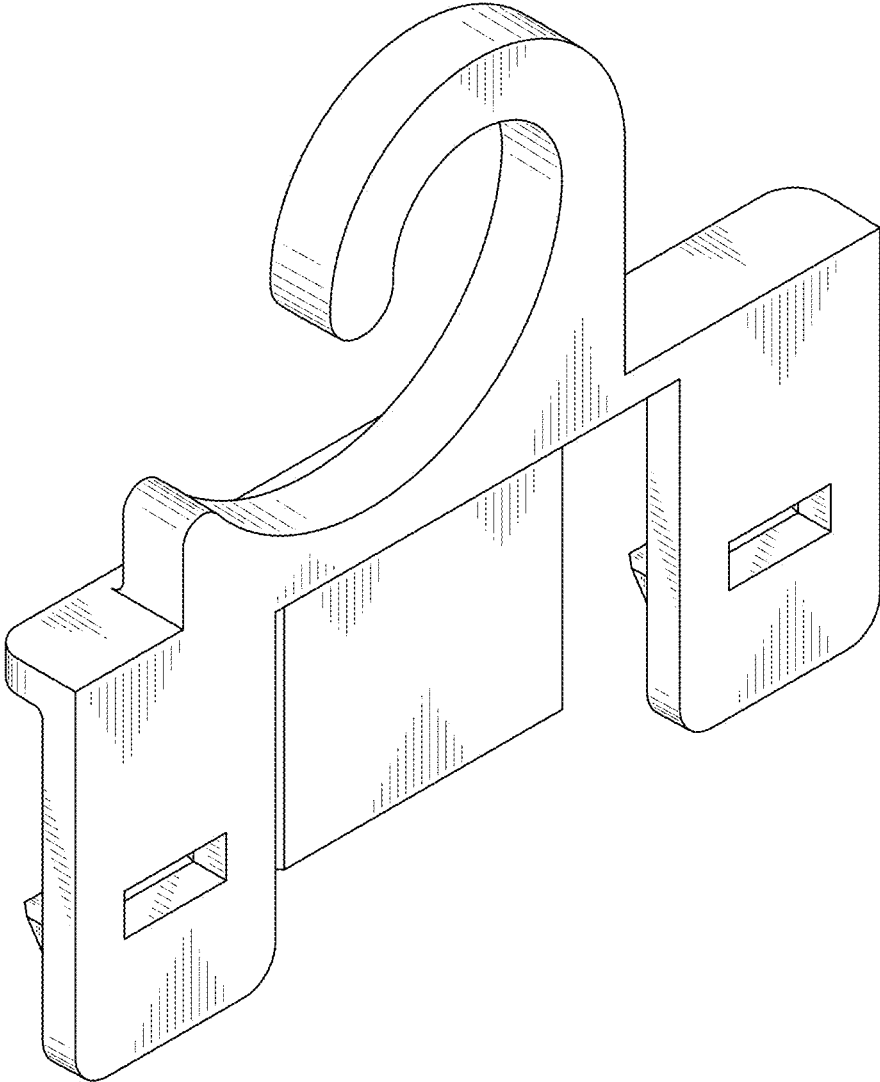


FIG. 1

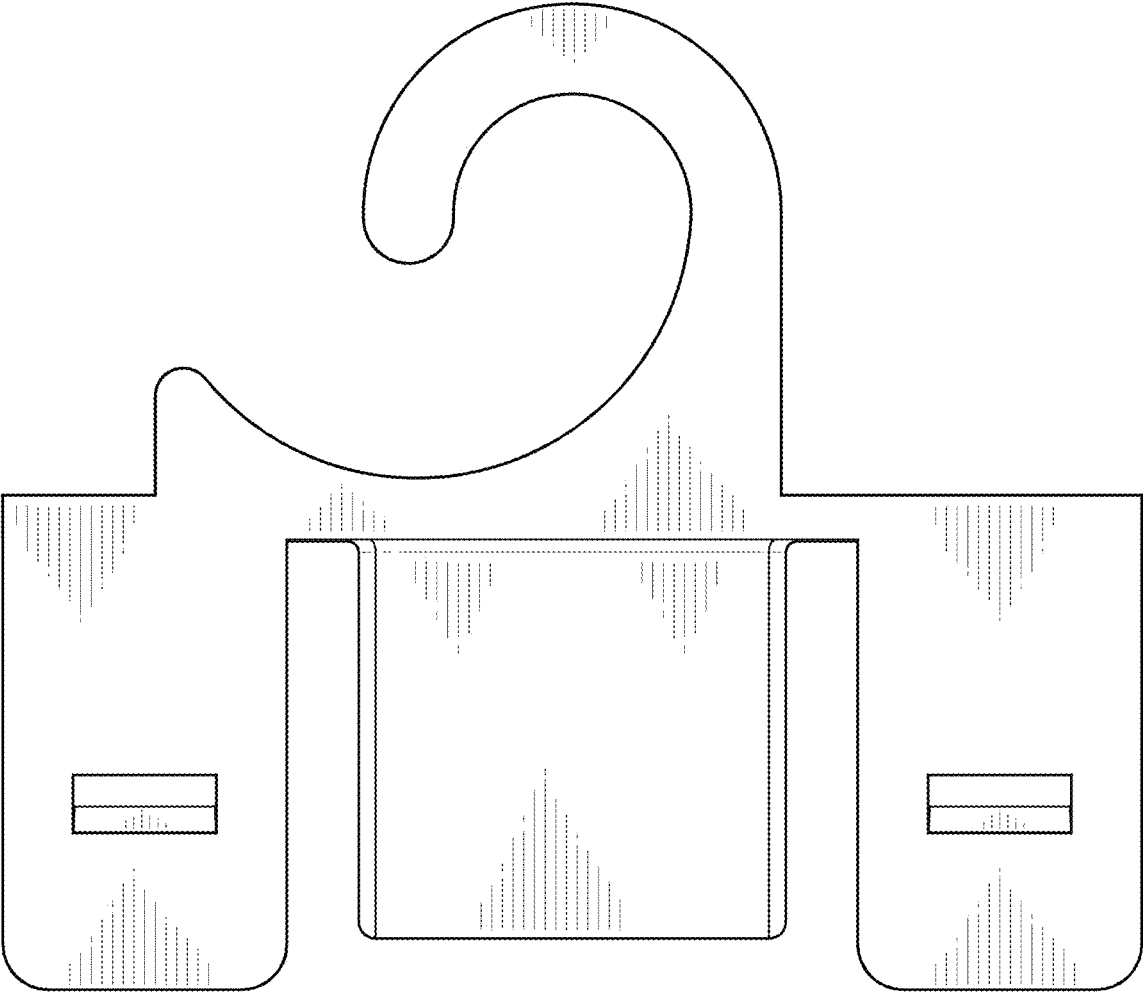


FIG. 2

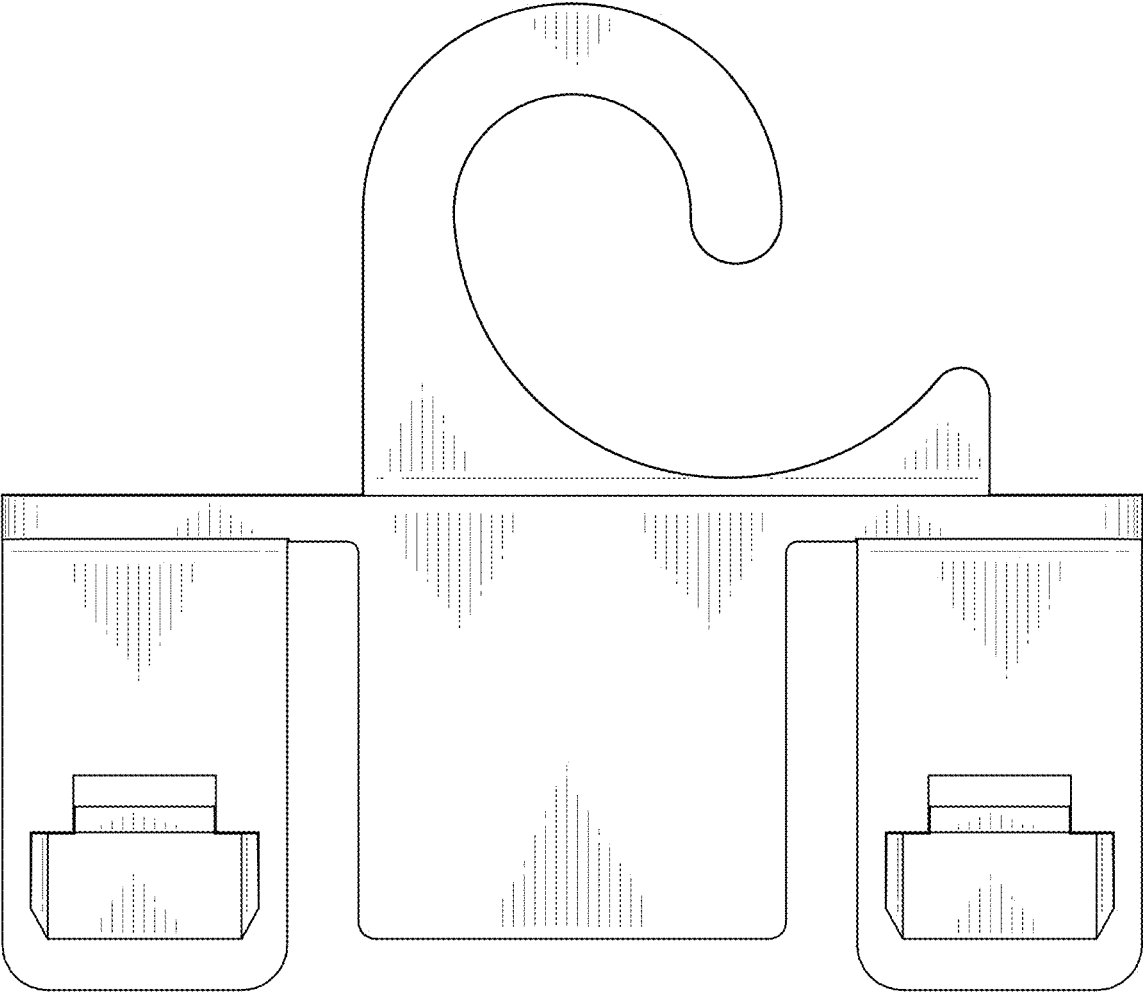


FIG. 3

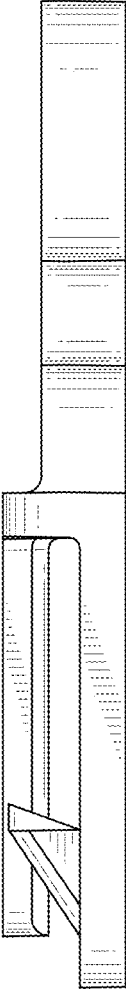


FIG. 4

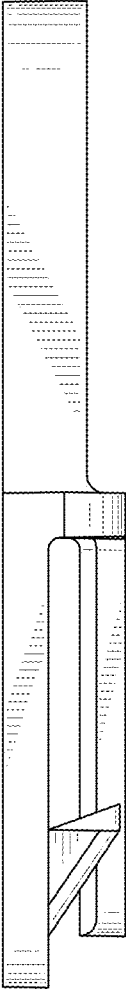


FIG. 5

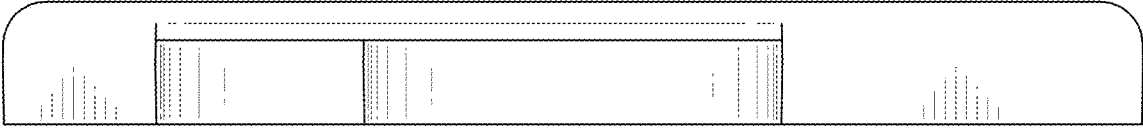


FIG. 6

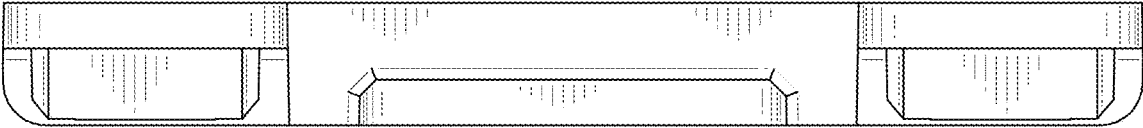


FIG. 7