



US00D821695S

(12) **United States Design Patent**  
**Spivak et al.**

(10) **Patent No.:** **US D821,695 S**

(45) **Date of Patent:** **\*\* Jul. 3, 2018**

- (54) **PET DENTAL TREAT**
- (71) Applicant: **Loving Pets Corporation**, Cranbury Township, NJ (US)
- (72) Inventors: **David Spivak**, Monmouth Junction, NJ (US); **Eric Abbey**, East Brunswick, NJ (US)
- (73) Assignee: **Loving Pets Corporation**, Cranbury Township, NJ (US)

D375,610 S *	11/1996	Loring .....	D1/112
D453,242 S *	1/2002	Kaplan .....	A01K 15/026
			D30/160
D496,773 S *	10/2004	Tepper .....	D1/199
D534,694 S *	1/2007	Pozzoni .....	D30/160
D576,357 S *	9/2008	Rutherford .....	D30/160
D578,726 S *	10/2008	Edwards .....	D1/109
D586,976 S *	2/2009	Lundwall .....	D1/109
D658,348 S *	5/2012	McCleary .....	D1/199
D747,067 S *	1/2016	Axelrod .....	D1/106
2006/0102099 A1 *	5/2006	Edwards .....	A01K 15/026
			119/710
2010/0224138 A1 *	9/2010	Axelrod .....	A01K 15/026
			119/710

(\*\*) Term: **15 Years**

(21) Appl. No.: **29/597,847**

(22) Filed: **Mar. 21, 2017**

(51) **LOC (11) Cl.** ..... **01-01**

(52) **U.S. Cl.**  
USPC ..... **D1/199; D1/112**

(58) **Field of Classification Search**  
 USPC ..... D1/100-130, 199; 426/5, 76, 87, 92, 94, 426/95, 99, 101, 103, 108, 138-139, 143, 426/144, 279, 282, 283, 391, 514, 549, 426/660; D13/100; D24/101-104; D28/8.1; 424/467; 425/195; 34/296; D6/601; D9/453  
 CPC .. A61K 9/2072; A61K 9/0004; A61K 9/2095; A61K 9/209  
 See application file for complete search history.

(56) **References Cited**

**U.S. PATENT DOCUMENTS**

D320,495 S *	10/1991	Pallesen .....	D1/110
5,174,243 A *	12/1992	O'Rourke .....	A01K 15/026
			119/709

\* cited by examiner

*Primary Examiner* — Katie Jane Stofko

(74) *Attorney, Agent, or Firm* — Standley Law Group LLP

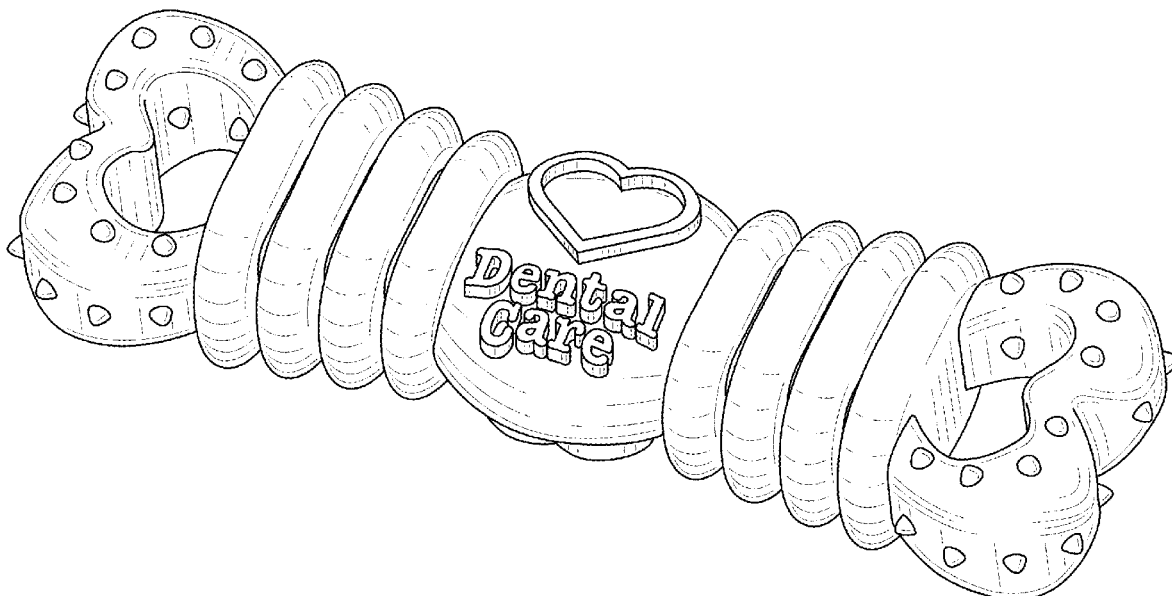
(57) **CLAIM**

The ornamental design for a pet dental treat, as shown and described.

**DESCRIPTION**

FIG. 1 is a front, bottom, right end perspective view of a pet dental treat;  
 FIG. 2 is a front elevation view thereof;  
 FIG. 3 is a back elevation view thereof;  
 FIG. 4 is a left end elevation view thereof;  
 FIG. 5 is a bottom plan view thereof; and,  
 FIG. 6 is a top plan view thereof.

**1 Claim, 6 Drawing Sheets**



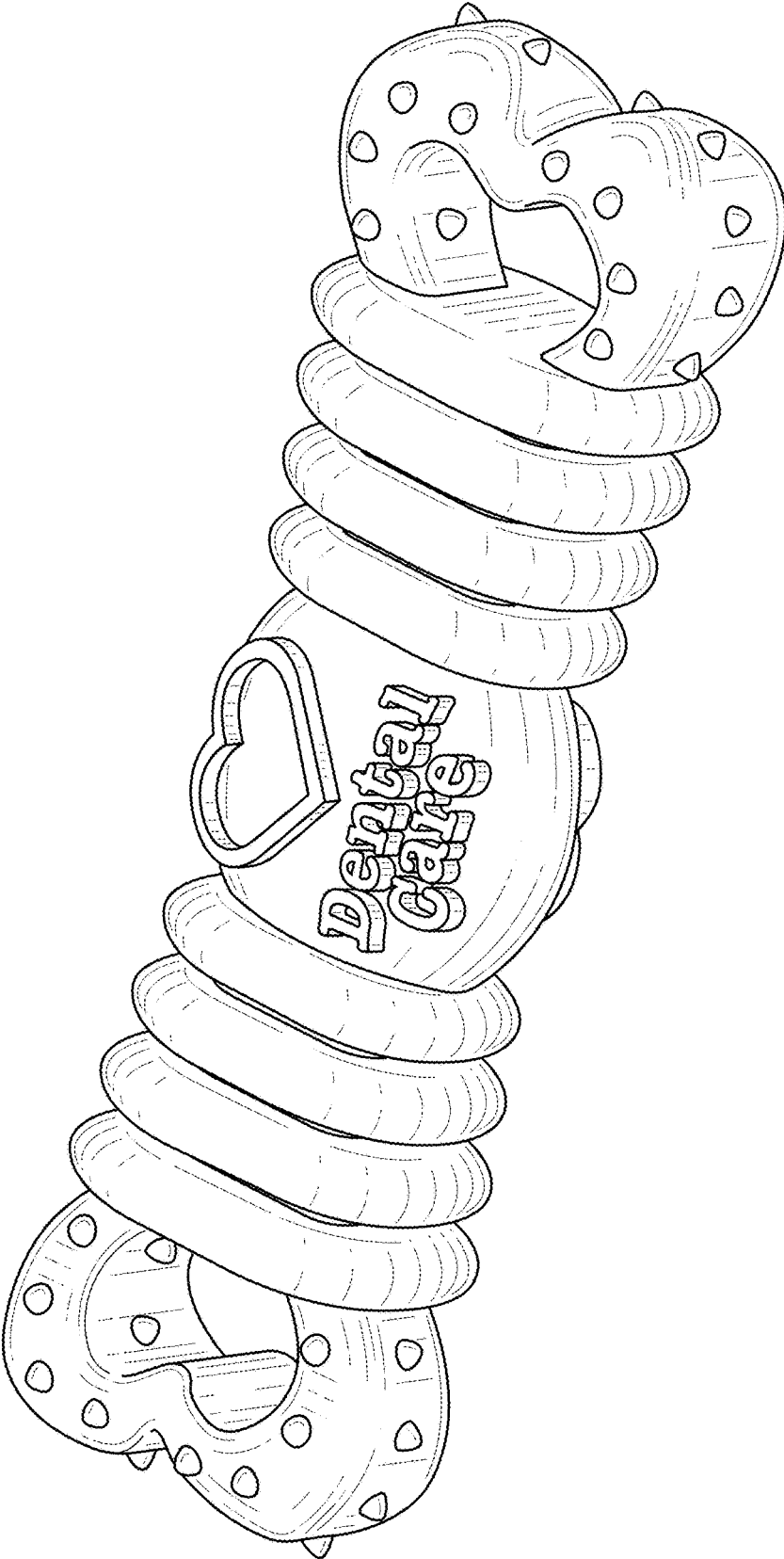


FIG. 1

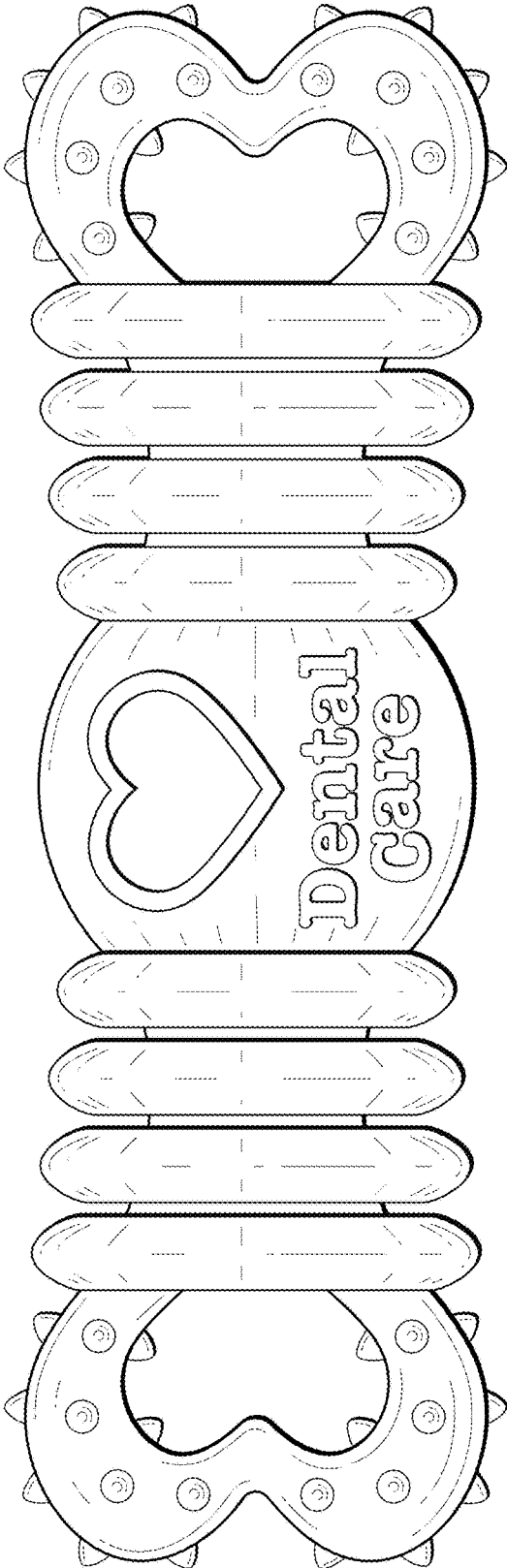


FIG. 2

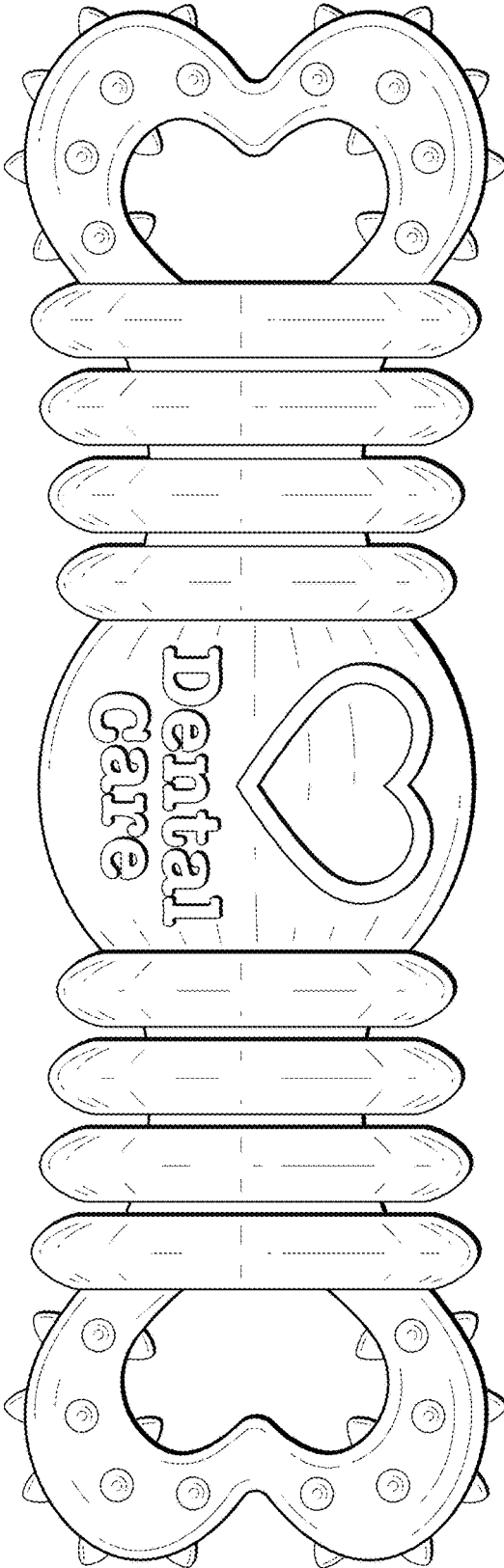


FIG. 3

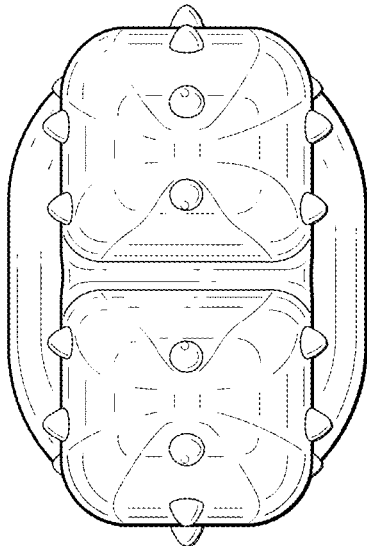


FIG. 4

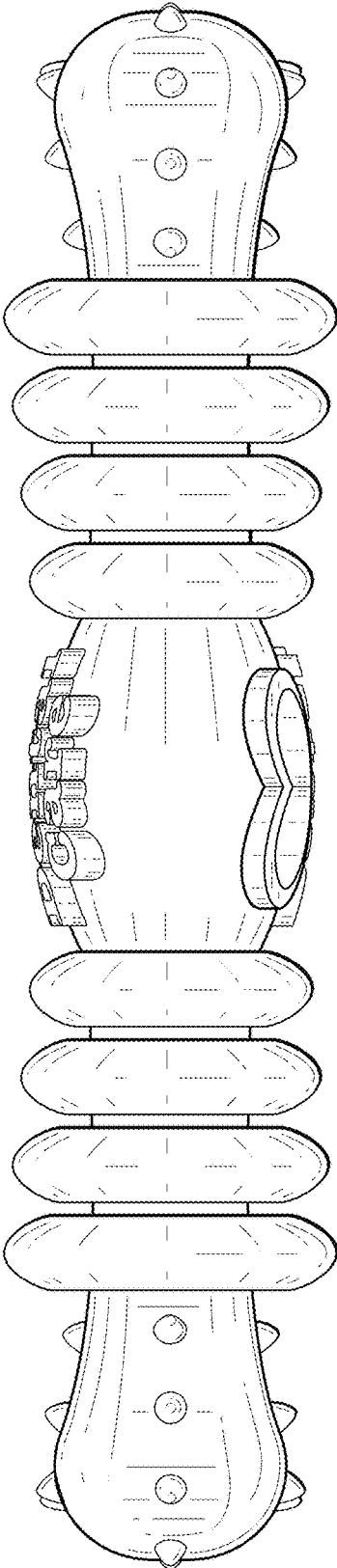


FIG. 5

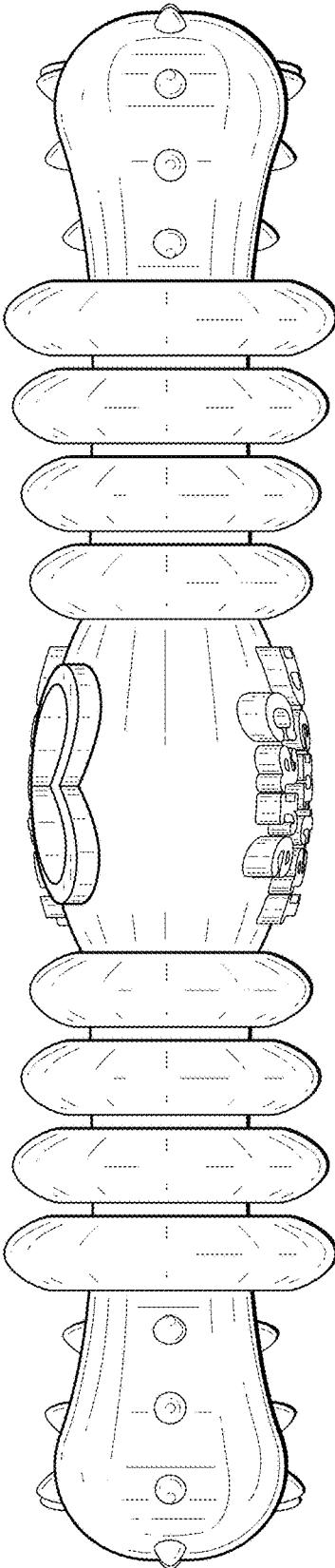


FIG. 6