



US00D881330S

(12) **United States Design Patent**  
**Long**

(10) **Patent No.:** **US D881,330 S**

(45) **Date of Patent:** **\*\* Apr. 14, 2020**

(54) **ELECTRONIC MOUSE AND INSECT REPELLENT**

(71) Applicant: **Hui Jian Long**, Wugang (CN)

(72) Inventor: **Hui Jian Long**, Wugang (CN)

(\*\*) Term: **15 Years**

(21) Appl. No.: **29/676,291**

(22) Filed: **Jan. 10, 2019**

(51) **LOC (12) Cl.** ..... **22-06**

(52) **U.S. Cl.** ..... **D22/120**  
USPC .....

(58) **Field of Classification Search**  
USPC ..... D22/119-120; 43/111-113, 124, 129,  
43/131, 132.1, 144; D23/366-369  
CPC ..... A01M 1/04; A01M 1/08; A01M 29/12;  
A01M 29/16; A01M 29/34; A01M 29/28;  
A01N 37/44; A01N 43/16; A01N 49/00  
See application file for complete search history.

(56) **References Cited**

**U.S. PATENT DOCUMENTS**

D780,878 S \* 3/2017 Zhang ..... D22/120  
D829,847 S \* 10/2018 Gu ..... D22/120

D829,848 S \* 10/2018 Gu ..... D22/120  
D829,876 S \* 10/2018 Arinsmier ..... D23/366  
D836,748 S \* 12/2018 Gu ..... D22/120  
D847,296 S \* 4/2019 Gu ..... D22/120  
D852,312 S \* 6/2019 Gu ..... D22/120  
D856,465 S \* 8/2019 Long ..... D22/120  
D856,466 S \* 8/2019 Long ..... D22/120  
D857,147 S \* 8/2019 Gu ..... D22/120

\* cited by examiner

*Primary Examiner* — Catherine R Oliver-Garcia

(74) *Attorney, Agent, or Firm* — Wayne & Ken, LLC;  
Tony Hom

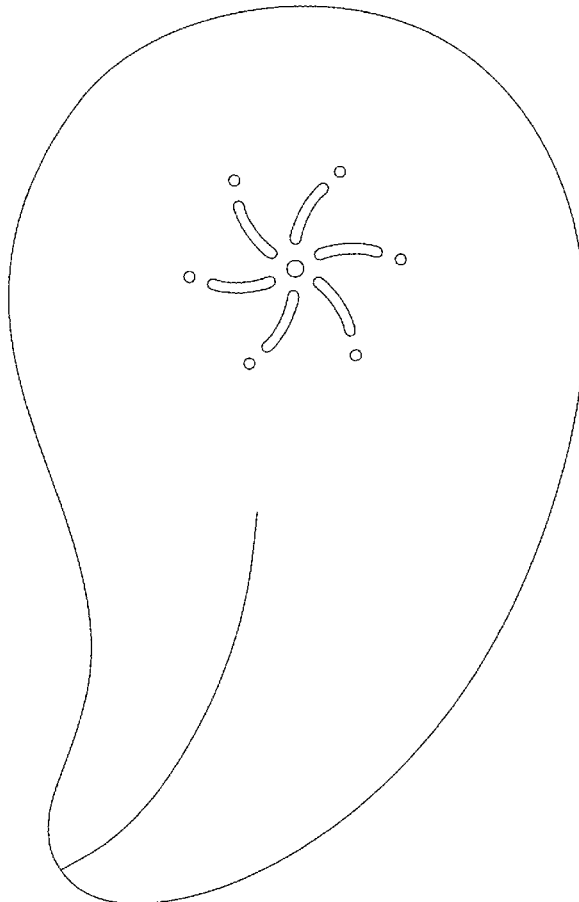
(57) **CLAIM**

The ornamental design for an electronic mouse and insect repellent, as shown and described.

**DESCRIPTION**

FIG. 1 is a front elevation view of a electronic mouse and insect repellent showing my new design;  
FIG. 2 is a rear elevation view thereof;  
FIG. 3 is a left side elevation view thereof;  
FIG. 4 is a right side elevation view thereof;  
FIG. 5 is a top plan view thereof;  
FIG. 6 is a bottom plan view thereof; and,  
FIG. 7 is a front, right perspective view thereof.

**1 Claim, 7 Drawing Sheets**



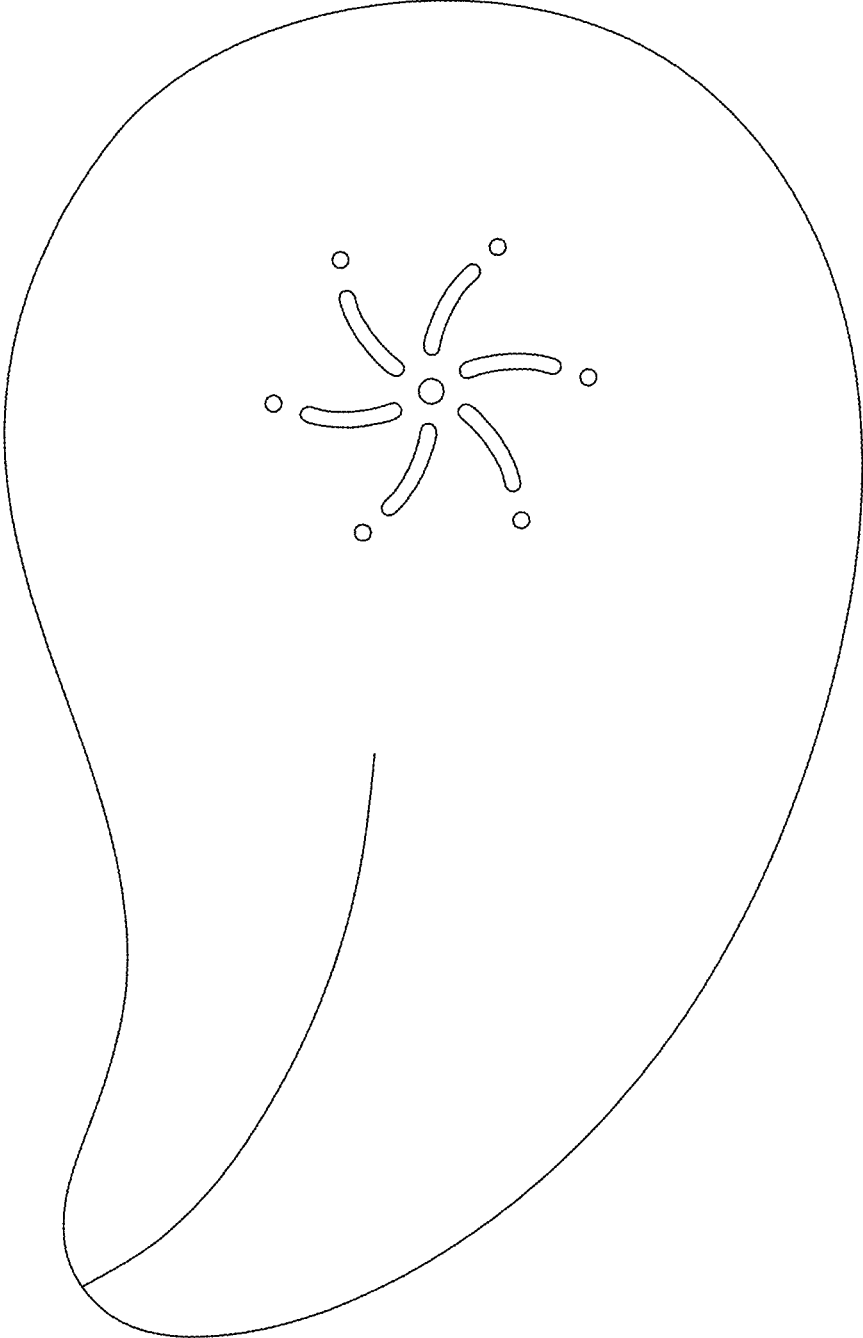


FIG.1

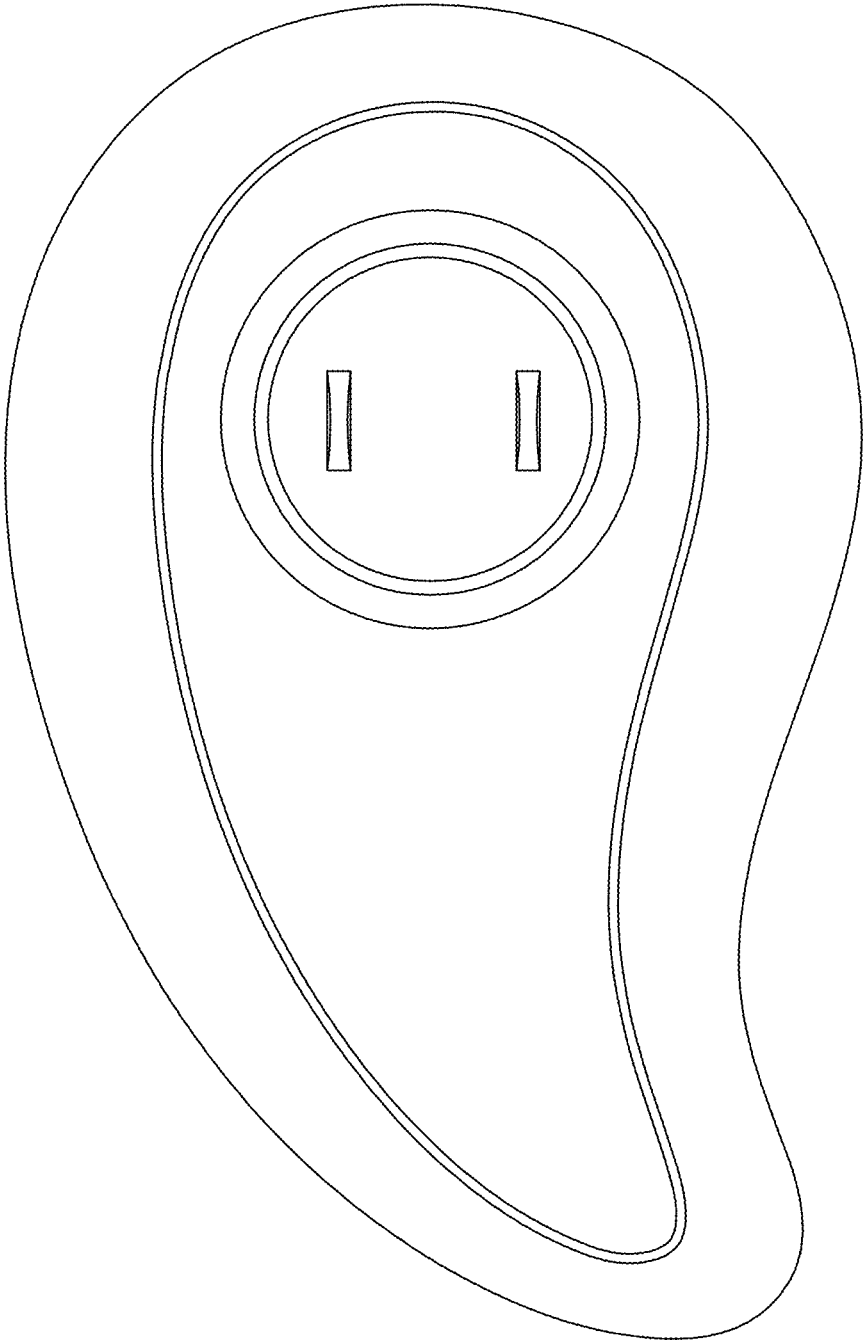


FIG.2

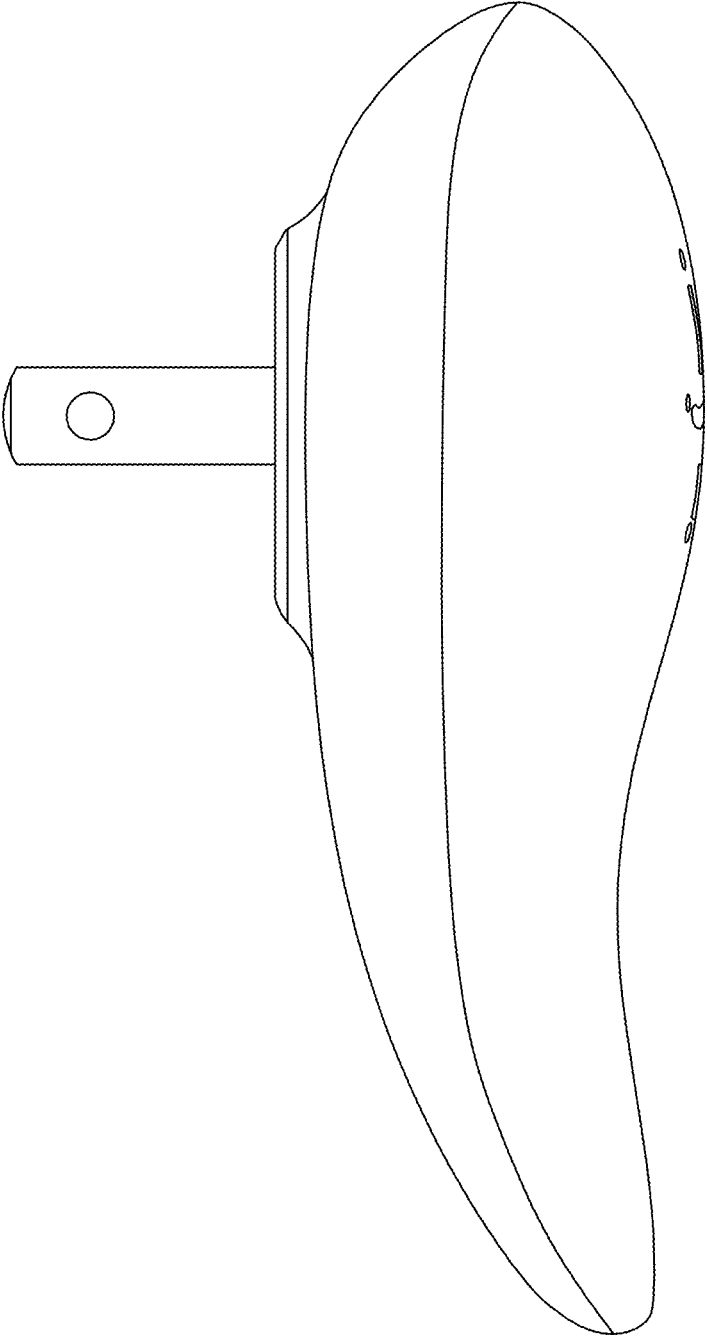


FIG.3

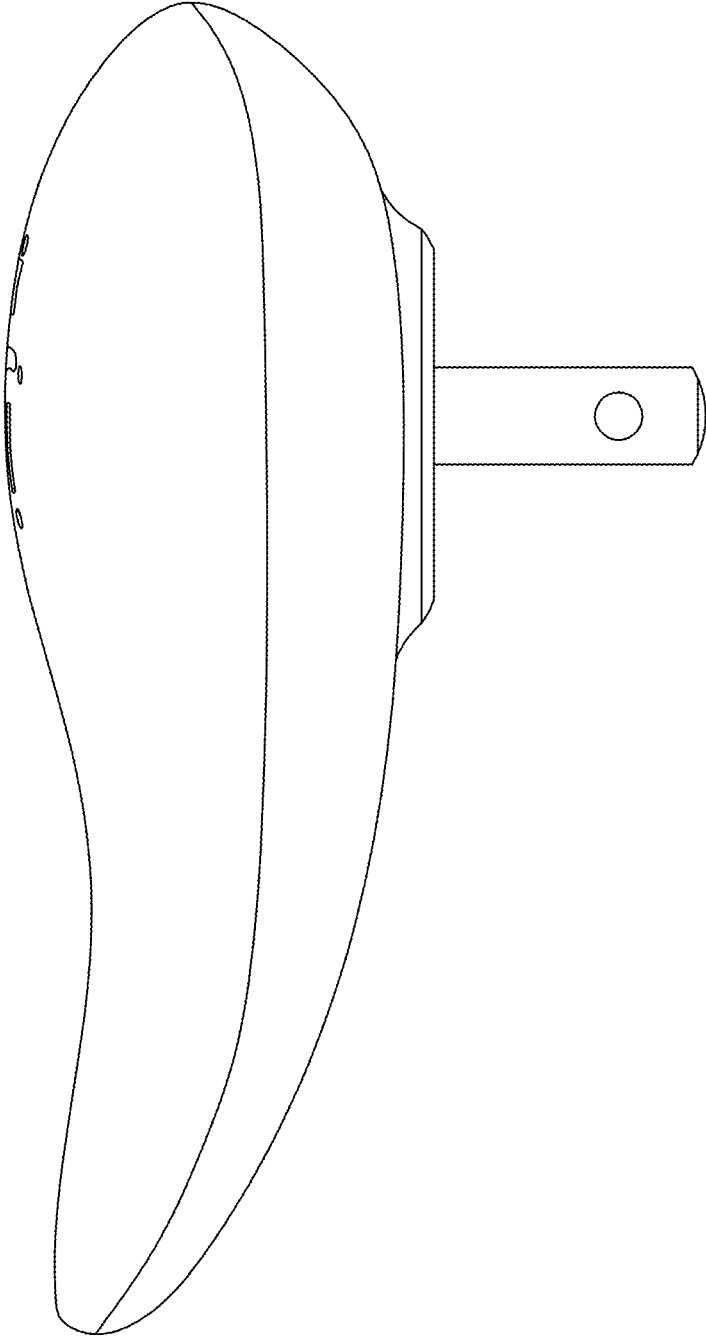


FIG.4

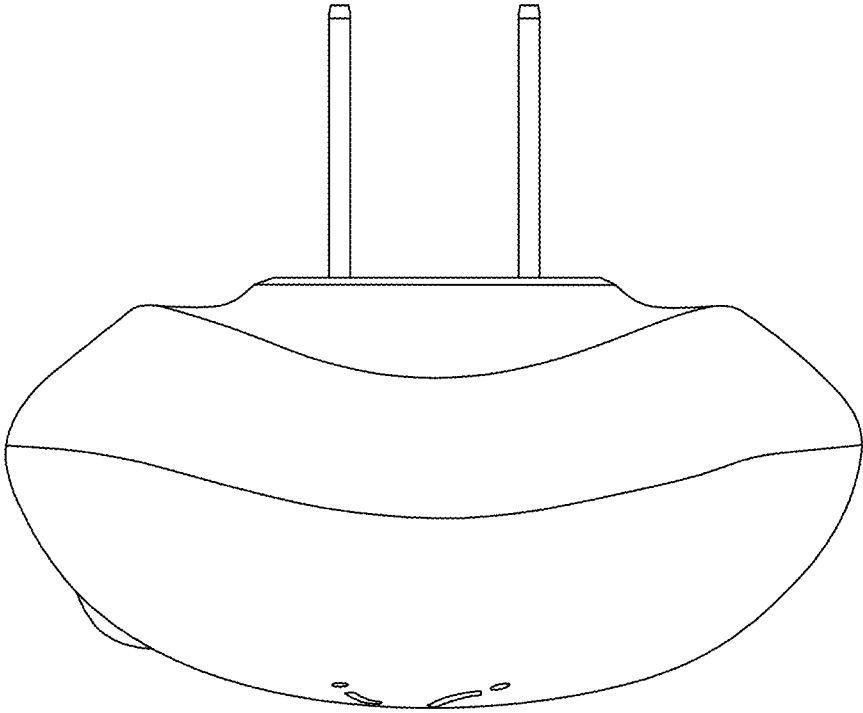


FIG.5

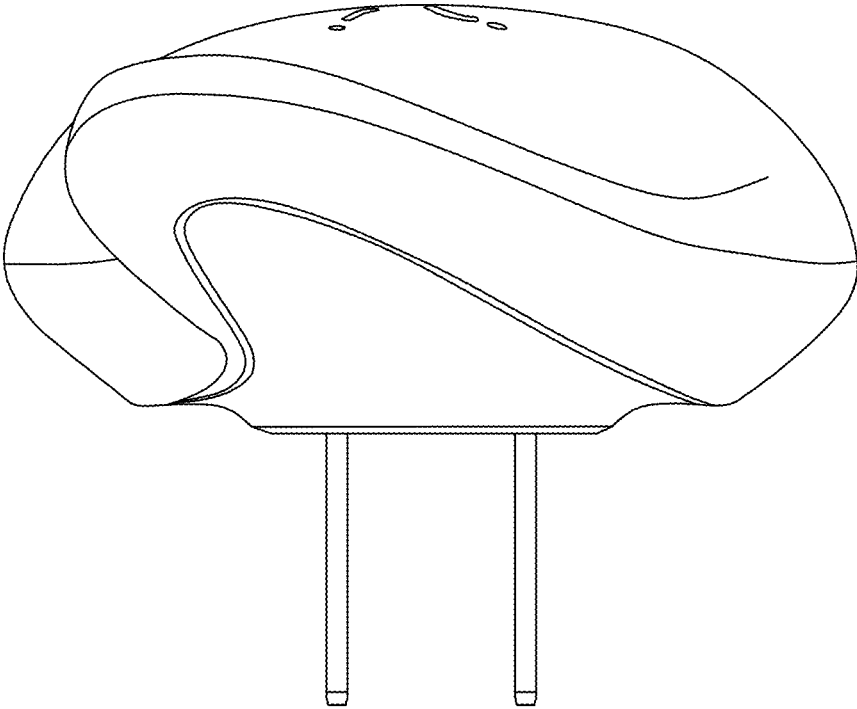


FIG.6

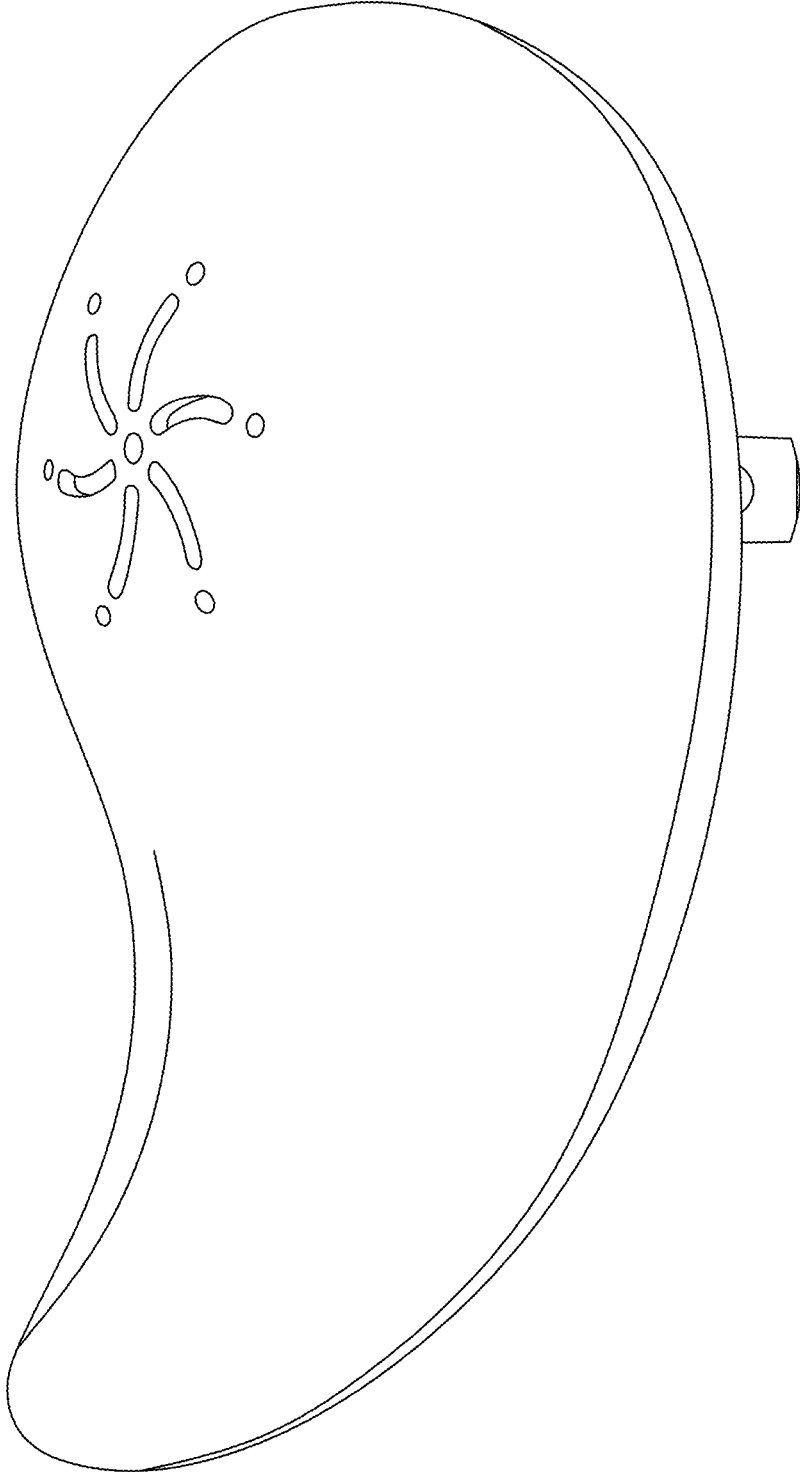


FIG. 7