

(19) World Intellectual Property
Organization
International Bureau



(43) International Publication Date
31 March 2005 (31.03.2005)

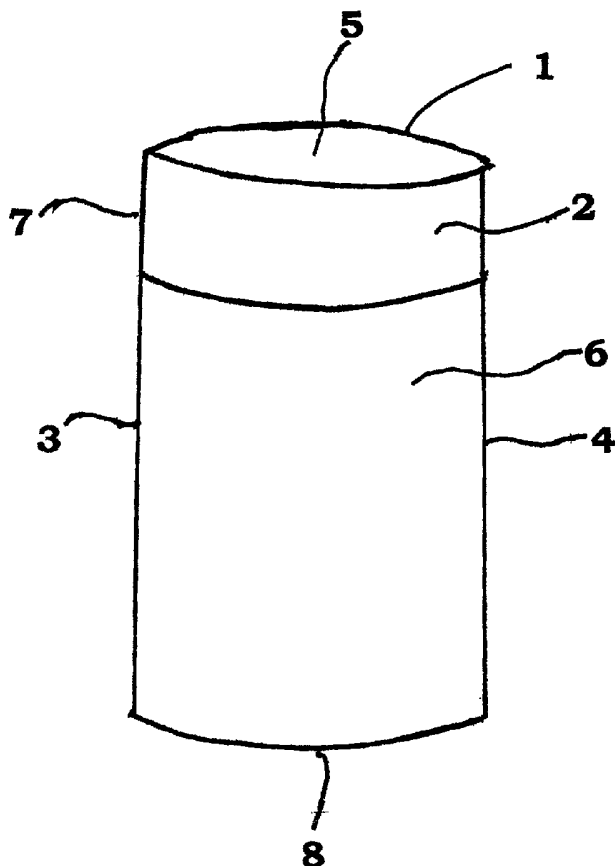
PCT

(10) International Publication Number
WO 2005/028325 A1

- (51) International Patent Classification⁷: B65D 33/24, (74) Agent: LUNDQUIST, Arne; Oxön 1:9, S-139 50 Värmdö (SE).
30/22, 81/34, 85/808, A47G 19/16
- (21) International Application Number: PCT/SE2004/001379
- (22) International Filing Date: 23 September 2004 (23.09.2004)
- (25) Filing Language: Swedish
- (26) Publication Language: English
- (30) Priority Data:
0302545-9 24 September 2003 (24.09.2003) SE (81) Designated States (unless otherwise indicated, for every kind of national protection available): AE, AG, AL, AM, AT, AU, AZ, BA, BB, BG, BR, BW, BY, BZ, CA, CH, CN, CO, CR, CU, CZ, DE, DK, DM, DZ, EC, EE, EG, ES, FI, GB, GD, GE, GH, GM, HR, HU, ID, IL, IN, IS, JP, KE, KG, KP, KR, KZ, LC, LK, LR, LS, LT, LU, LV, MA, MD, MG, MK, MN, MW, MX, MZ, NA, NI, NO, NZ, OM, PG, PH, PL, PT, RO, RU, SC, SD, SE, SG, SK, SL, SY, TJ, TM, TN, TR, TT, TZ, UA, UG, US, UZ, VC, VN, YU, ZA, ZM, ZW.
- 0400676-3 17 March 2004 (17.03.2004) SE (84) Designated States (unless otherwise indicated, for every kind of regional protection available): ARIPO (BW, GH, GM, KE, LS, MW, MZ, NA, SD, SL, SZ, TZ, UG, ZM, ZW), Eurasian (AM, AZ, BY, KG, KZ, MD, RU, TJ, TM), European (AT, BE, BG, CH, CY, CZ, DE, DK, EE, ES, FI, FR, GB, GR, HU, IE, IT, LU, MC, NL, PL, PT, RO, SE, SI,
- (71) Applicant and
(72) Inventor: SVENSSON, Monica [SE/SE]; Kyrkogatan 26, S-57439 Vetlanda (SE).

[Continued on next page]

(54) Title: PACKING FOR OPENABLE ENCLOSING OF MATERIAL



(57) Abstract: A packing for openable enclosing of goods is described. It comprises a first (1) and a second (2) substantially plane wall, completely or partly joined along two opposite edges (3,4), such that a substance to a container is formed with an opening (5). The packing is characterised in that a third (6) substantially plane wall is joined with a said edges (3,4) extending at least a portion of the extension of the container in the direction of the edges (3,4). The third wall (6) shall also be joined along the third edge (8), with both or one of the first (1) and the second (2) wall, or alternatively the first and the second wall (1,2) shall be joined along the third edge (8), whereas the third wall (6) must not be so. Those portions of the first (1) and second (2) wall, that are in the vicinity of the opening, are foldable inwards or outwards Together with the third wall (8).

WO 2005/028325 A1



SK, TR), OAPI (BF, BJ, CF, CG, CI, CM, GA, GN, GQ, GW, ML, MR, NE, SN, TD, TG).

For two-letter codes and other abbreviations, refer to the "Guidance Notes on Codes and Abbreviations" appearing at the beginning of each regular issue of the PCT Gazette.

Published:

- *with international search report*
- *before the expiration of the time limit for amending the claims and to be republished in the event of receipt of amendments*

Packing for openable enclosing of material

The present invention relates to a packing for openable enclosing of solid or liquid goods, comprising a first and a second substantially plane wall, completely or partly joined along two opposite edges, such that a substance to a container is formed with an opening. Such packings are usually present, most often manufactured from paper or flexible plastics like polythene. The goods may be in the form of small particles or powder or in the form of larger solid particles or in the form of a liquid. Hitherto such a packing has not been present, that may be easily enclosed in a safe way, but is still easily openable.

The object of the present invention is to create a packing of the art mentioned introductorily, that responds to the demands just mentioned. According to the invention such a packing is characterised in that a third substantially plane wall is joined with said edges, extending at least part of the extension of the container in the direction of the edges and is possibly joined with the bottom of the container, whereas those portions of the first and second wall, that are in the vicinity of the opening are foldable inwards or outwards together with the third wall.

The packing may also be formed such that the two firstly mentioned walls are not joined along the third edge, but are, any of them, joined with the third wall along the third edge such that the container is formed by any of the two walls and the third wall.

In one preferred embodiment according to the invention the third wall extends starting a portion from said opening. In this design, the folding of those portions of the first and second walls that are in the vicinity of the opening together with the third wall is facilitated.

If the packing is made from liquid penetrable material it may be used for dosing, that is to say for leaking of substance especially from a finely divided goods, e g tea, from which aroma generating substance is leaked by hot water from tea bags. Hitherto packings for tea are manufactured in the form of portion doses of tea, closed by a machine. With the packing according to the invention a consumer may pack his own chosen tea in an easy way in desired doses.

If the packing is made from material, that is not liquid penetrable, it may be used for liquid goods, e g a fruit drink. Especially in this case, it is suitable to add a sticky surface coating at part of at least one of the portions in the vicinity of the opening, that are foldable inwards or outwards with the third wall. Alternatively the sticky surface coating may be applied to those surfaces with which said just mentioned portions, in the vicinity of the opening, are put together. This sticky coating is suitably of an art, that enables release of the joined surfaces without destroying same. Thus there is obtained a liquid tight closed, but openable container. Before the container is used, the sticky surface coating may be covered by an easily releasable piece of waxed paper.

In certain applications it is desired to identify in an easy way occasional packings. This may e g be true for packings for travel goods like skis etc. An identification bill may be inserted in a partition, formed by one of the outer walls and the third wall and that does not contain e g the travel goods.

The invention is described in the following, reference being made to the enclosed figure. In this a packing according to the invention in perspective is shown. A first wall is marked by 1, a second wall by 2. These are joined along two opposite edges 3 and 4 and at the bottom 8, such that a container is formed with an opening 5. A third wall 6 is joined to said edges 3 and 4 and may start at a certain distance from or completely from the opening and extends a portion downwards or completely to the bottom 8. it may also be joined to the bottom 8 of the container. If the third wall 6 alternatively is arranged like an inner wall to form the container between the walls 1 and 2 these walls need not be joined at the bottom. Contrarily the third wall 6 has to be joined with at least one of the walls 1 and 2 at the bottom 8. The portions 7 of the first and second wall 1 and 2 may be folded inwards or outwards together with the third wall 8.

Patent claims

1.

A packing for openable enclosing of solid or liquid goods, comprising a first (1) and a second (2) substantially plane wall, completely or partly joined along two opposite edges (3,4), such that a substance to a container is formed with an opening (5),

characterised in that

a third (6) substantially plane wall is joined with a substantial portion of said edges (3,4), extending at least a substantial portion of the extension of the container in the direction of the edges (3,4) and that alternatively

a) the first (1) and the second (2) wall or

(b) the third wall (6) and alternatively the first(1) or the second (2) wall, or

c) the first (1), the second (2) and the third (6) wall are joined along the third edge (8) of the container,

whereas those portions of the first (1) and second (2) wall, that are in the vicinity of the opening, are foldable inwards or outwards together with the third wall (8).

2.

A packing according to claim 1,

characterised in that

the third wall (3) extends, starting a portion (7) from said opening.

3.

A packing according to claim 1 or 2,

characterised in that

the packing is made from liquid penetrable material.

4.

A packing according to claim 1 or 2,

characterised in that

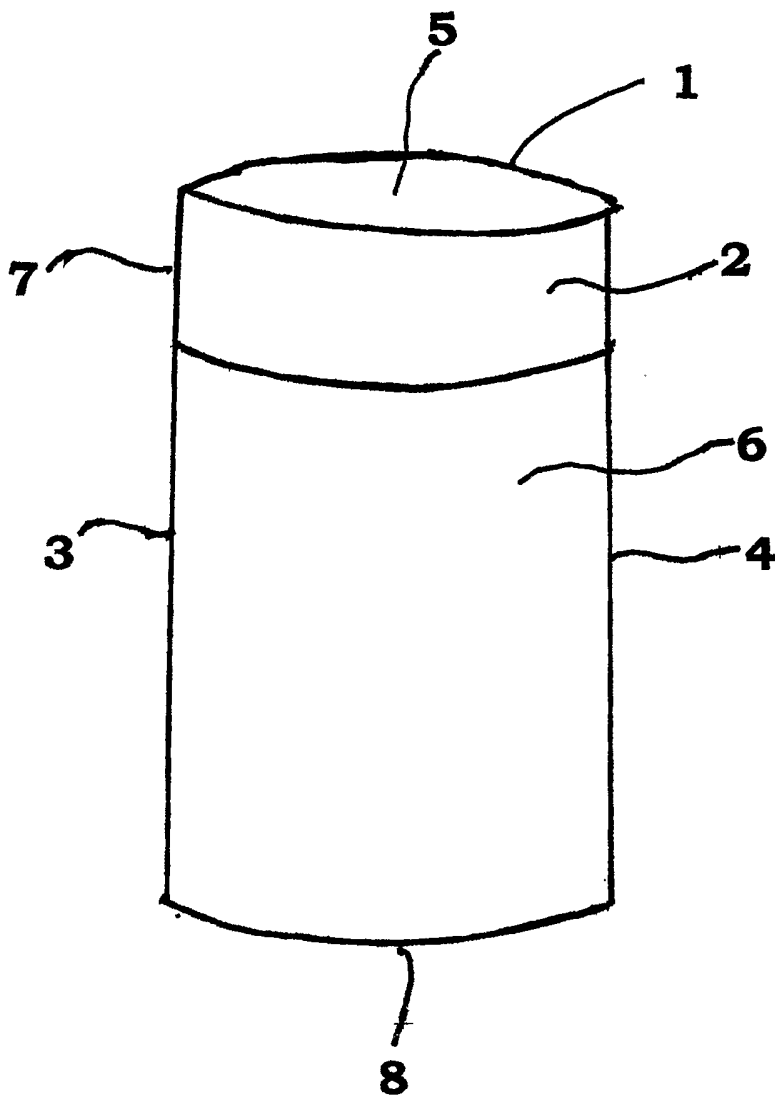
the packing is made from a material, that is not liquid penetrable.

5.

A packing according to claim 1 or 2,
characterised in that

a sticky coating is applied at part of at least one of those portions, that are in the vicinity of the opening and that are foldable inwards or outwards with the third wall, or is applied to those surfaces with which said portions in the vicinity of the opening are put together.

1/1



INTERNATIONAL SEARCH REPORT

International application No.

PCT/SE 2004/001379

A. CLASSIFICATION OF SUBJECT MATTER

IPC7: B65D 33/24, B65D 30/22, B65D 81/34, B65D 85/808, A47G 19/16
According to International Patent Classification (IPC) or to both national classification and IPC

B. FIELDS SEARCHED

Minimum documentation searched (classification system followed by classification symbols)

IPC7: B65D, A47G

Documentation searched other than minimum documentation to the extent that such documents are included in the fields searched

SE,DK,FI,NO classes as above

Electronic data base consulted during the international search (name of data base and, where practicable, search terms used)

EPO-INTERNAL, WPI DATA

C. DOCUMENTS CONSIDERED TO BE RELEVANT

Category*	Citation of document, with indication, where appropriate, of the relevant passages	Relevant to claim No.
X	US 3224640 A (W S SCHNEIDER ET AL), 21 December 1965 (21.12.1965), column 5, line 62 - column 6, line 24, figures 5,8	1-4
Y	--	5
X	US 3217934 A (W S SCHNEIDER ET AL), 16 November 1965 (16.11.1965), figure 5	1-4
A	--	5

Further documents are listed in the continuation of Box C. See patent family annex.

* Special categories of cited documents:	"T" later document published after the international filing date or priority date and not in conflict with the application but cited to understand the principle or theory underlying the invention
"A" document defining the general state of the art which is not considered to be of particular relevance	"X" document of particular relevance: the claimed invention cannot be considered novel or cannot be considered to involve an inventive step when the document is taken alone
"E" earlier application or patent but published on or after the international filing date	"Y" document of particular relevance: the claimed invention cannot be considered to involve an inventive step when the document is combined with one or more other such documents, such combination being obvious to a person skilled in the art
"L" document which may throw doubts on priority claim(s) or which is cited to establish the publication date of another citation or other special reason (as specified)	"&" document member of the same patent family
"O" document referring to an oral disclosure, use, exhibition or other means	
"P" document published prior to the international filing date but later than the priority date claimed	

Date of the actual completion of the international search 24 January 2005	Date of mailing of the international search report 02 -02- 2005
--	--

Name and mailing address of the ISA/ Swedish Patent Office Box 5055, S-102 42 STOCKHOLM Facsimile No. +46 8 666 02 86	Authorized officer Anna Ahlander/EK Telephone No. +46 8 782 25 00
--	---

INTERNATIONAL SEARCH REPORT

International application No.

PCT/SE 2004/001379

C (Continuation). DOCUMENTS CONSIDERED TO BE RELEVANT		
Category*	Citation of document, with indication, where appropriate, of the relevant passages	Relevant to claim No.
X	<p>DATABASE WPI Week 199528 Derwent Publications Ltd, London, GB; Class Q32, AN 1995-212513 & JP 7125754 A (NAKAMURA SEIFUK KK), 16 May 1995 (1995-05-16) abstract, fig 5,6</p>	1-4
A	--	5
A	<p>DE 19831584 A1 (VEREINIGTE PAPIERWARENFABRIKEN GMBH), 20 January 2000 (20.01.2000), figures 1-6, abstract</p>	1-4
Y	--	5
A	<p>FR 1016042 A (SOC DE TRAITEMENTS ELECTROLYTIQUES ET ELECTROTHERMIQUES), 30 October 1952 (30.10.1952), figures 1-4</p>	1-4
A	--	3
A	<p>DE 19957403 A1 (ABRAHAM'S TEA HOUSE GMBH), 31 May 2001 (31.05.2001), figures 1-13</p>	3
A	--	3
A	<p>US 4609556 A (GOEDERT), 2 Sept 1986 (02.09.1986), figures 2-4</p>	3
A	--	3
A	<p>US 4680185 A (ILLK), 14 July 1987 (14.07.1987), figures 1-7</p>	3
A	--	5
A	<p>EP 0827912 A2 (FRES-CO SYSTEM USA, INC), 11 March 1998 (11.03.1998), figures 1-3</p> <p>-----</p>	5

INTERNATIONAL SEARCH REPORT

International application No.

PCT/SE 2004/001379

US	3224640	A	21/12/1965	NONE		
US	3217934	A	16/11/1965	NONE		
DE	19831584	A1	20/01/2000	NONE		
FR	1016042	A	30/10/1952	NONE		
DE	19957403	A1	31/05/2001	NONE		
US	4609556	A	02/09/1986	AT	20656 T	15/07/1986
				CA	1201090 A	25/02/1986
				DE	3271934 D	00/00/0000
				DK	158381 B,C	14/05/1990
				DK	363482 A	29/11/1983
				EP	0095542 A,B	07/12/1983
				SE	0095542 T3	
				ES	515376 A	16/08/1983
				ES	8307639 A	01/11/1983
				GR	77349 A	11/09/1984
				IE	53195 B	17/08/1988
				IE	822106 L	28/11/1983
				PT	75487 A,B	01/09/1982
US	4680185	A	14/07/1987	NONE		
EP	0827912	A2	11/03/1998	CA	2214738 A	06/03/1998