

(19) World Intellectual Property
Organization
International Bureau



(43) International Publication Date
30 June 2005 (30.06.2005)

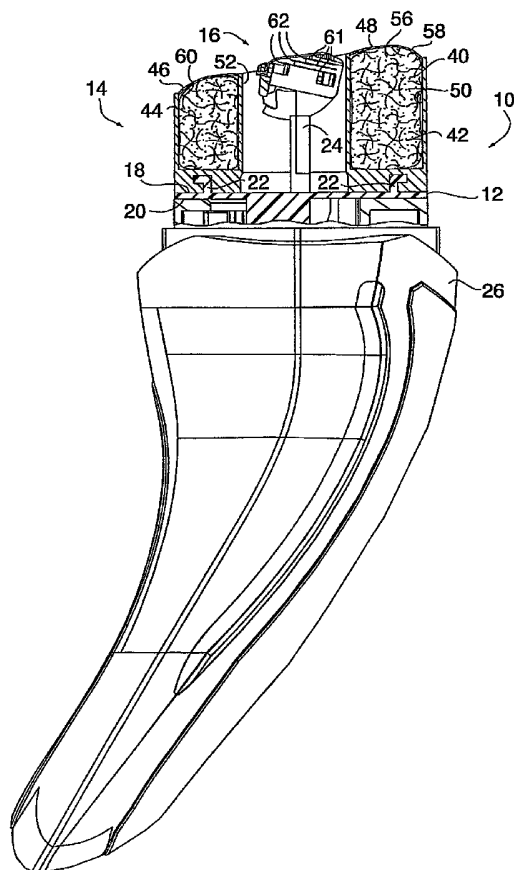
PCT

(10) International Publication Number
WO 2005/058561 A3

- (51) International Patent Classification⁷: **B26B 21/44**
- (21) International Application Number:
PCT/US2004/042900
- (22) International Filing Date:
16 December 2004 (16.12.2004)
- (25) Filing Language: English
- (26) Publication Language: English
- (30) Priority Data:
10/737,003 16 December 2003 (16.12.2003) US
- (71) Applicant: **EVEREADY BATTERY COMPANY, INC.**
[US/US]; 533 Maryville University Drive, St. Louis, Missouri 63141 (US).
- (72) Inventor: **PENNELLA, Andrew**; 180 Blackwood Lane, Stamford, Connecticut 06901 (US).
- (74) Agent: **MICHAUD, Richard**; Michaud-Duffy Group LLP, 306 Industrial Park Road, Suite 206, Middletown, Connecticut 06457 (US).
- (81) Designated States (*unless otherwise indicated, for every kind of national protection available*): AE, AG, AL, AM, AT, AU, AZ, BA, BB, BG, BR, BW, BY, BZ, CA, CH, CN, CO, CR, CU, CZ, DE, DK, DM, DZ, EC, EE, EG, ES, FI, GB, GD, GE, GH, GM, HR, HU, ID, IL, IN, IS, JP, KE, KG, KP, KR, KZ, LC, LK, LR, LS, LT, LU, LV, MA, MD, MG, MK, MN, MW, MX, MZ, NA, NI, NO, NZ, OM, PG, PH, PL, PT, RO, RU, SC, SD, SE, SG, SK, SL, SM, SY, TJ, TM, TN, TR, TT, TZ, UA, UG, US, UZ, VC, VN, YU, ZA, ZM, ZW.
- (84) Designated States (*unless otherwise indicated, for every kind of regional protection available*): ARIPO (BW, GH, GM, KE, LS, MW, MZ, NA, SD, SL, SZ, TZ, UG, ZM, ZW), Eurasian (AM, AZ, BY, KG, KZ, MD, RU, TJ, TM), European (AT, BE, BG, CH, CY, CZ, DE, DK, EE, ES, FI,

[Continued on next page]

(54) Title: SHAVING APPARATUS



(57) Abstract: A shaving apparatus (10) is provided that is selectively attachable to a handle (26). The cartridge includes a razor cartridge (16) and a device for dispensing a non-solid shaving aid material. The shaving apparatus (10) attaches to the handle (26) in such a manner that a self-leveling mechanism (30) contained within the handle is not operable to adjust the movement of a first element relative to a second element.

WO 2005/058561 A3



FR, GB, GR, HU, IE, IS, IT, LT, LU, MC, NL, PL, PT, RO,
SE, SI, SK, TR), OAPI (BF, BJ, CF, CG, CI, CM, GA, GN,
GQ, GW, ML, MR, NE, SN, TD, TG).

(88) **Date of publication of the international search report:**
29 September 2005

Published:

- *with international search report*
- *before the expiration of the time limit for amending the claims and to be republished in the event of receipt of amendments*

For two-letter codes and other abbreviations, refer to the "Guidance Notes on Codes and Abbreviations" appearing at the beginning of each regular issue of the PCT Gazette.

INTERNATIONAL SEARCH REPORT

International Application No
PCT/US2004/042900

A. CLASSIFICATION OF SUBJECT MATTER IPC 7 B26B21/44		
According to International Patent Classification (IPC) or to both national classification and IPC		
B. FIELDS SEARCHED		
Minimum documentation searched (classification system followed by classification symbols) IPC 7 B26B		
Documentation searched other than minimum documentation to the extent that such documents are included in the fields searched		
Electronic data base consulted during the international search (name of data base and, where practical, search terms used) EPO-Internal		
C. DOCUMENTS CONSIDERED TO BE RELEVANT		
Category °	Citation of document, with indication, where appropriate, of the relevant passages	Relevant to claim No.
A	EP 0 418 483 A (WILKINSON SWORD GESELLSCHAFT MIT BESCHRAENKTER HAFTUNG) 27 March 1991 (1991-03-27) column 9, line 1 - column 10, line 29; figures 1,2	1,11,13
A	----- EP 1 157 792 A (WARNER-LAMBERT COMPANY; EVEREADY BATTERY COMPANY, INC) 28 November 2001 (2001-11-28) paragraph [0024] - paragraph [0032]; figures 1-7	1,11
A	----- DE 852 666 C (TESCH KURT) 16 October 1952 (1952-10-16) the whole document ----- -/--	
<input checked="" type="checkbox"/> Further documents are listed in the continuation of box C.		
<input checked="" type="checkbox"/> Patent family members are listed in annex.		
° Special categories of cited documents :		
"A" document defining the general state of the art which is not considered to be of particular relevance "E" earlier document but published on or after the international filing date "L" document which may throw doubts on priority claim(s) or which is cited to establish the publication date of another citation or other special reason (as specified) "O" document referring to an oral disclosure, use, exhibition or other means "P" document published prior to the international filing date but later than the priority date claimed	"T" later document published after the international filing date or priority date and not in conflict with the application but cited to understand the principle or theory underlying the invention "X" document of particular relevance; the claimed invention cannot be considered novel or cannot be considered to involve an inventive step when the document is taken alone "Y" document of particular relevance; the claimed invention cannot be considered to involve an inventive step when the document is combined with one or more other such documents, such combination being obvious to a person skilled in the art. "&" document member of the same patent family	
Date of the actual completion of the international search <p style="text-align: center; font-size: 1.2em;">13 May 2005</p>	Date of mailing of the international search report <p style="text-align: center; font-size: 1.2em;">05.08.2005</p>	
Name and mailing address of the ISA European Patent Office, P.B. 5818 Patentlaan 2 NL - 2280 HV Rijswijk Tel. (+31-70) 340-2040, Tx. 31 651 epo nl, Fax: (+31-70) 340-3016	Authorized officer <p style="text-align: center; font-size: 1.2em;">Maier, M</p>	

INTERNATIONAL SEARCH REPORT

International Application No
PCT/US2004/042900

C.(Continuation) DOCUMENTS CONSIDERED TO BE RELEVANT		
Category °	Citation of document, with indication, where appropriate, of the relevant passages	Relevant to claim No.
A	DE 851 007 C (MEIER GEORG) 29 September 1952 (1952-09-29) the whole document -----	
A	US 4 238 882 A (HARRISON, JACK R SR) 16 December 1980 (1980-12-16) the whole document -----	1,11

INTERNATIONAL SEARCH REPORT

International Application No
PCT/US2004/042900

Patent document cited in search report		Publication date	Patent family member(s)	Publication date
EP 0418483	A	27-03-1991	DE 8911246 U1	24-01-1991
			AT 111009 T	15-09-1994
			AT 164798 T	15-04-1998
			DE 59007047 D1	13-10-1994
			DE 59010818 D1	14-05-1998
			EP 0418483 A1	27-03-1991
			EP 0605397 A1	06-07-1994
			ES 2063864 T3	16-01-1995
			US 5134775 A	04-08-1992

EP 1157792	A	28-11-2001	AU 780847 B2	21-04-2005
			AU 4613901 A	29-11-2001
			CA 2348127 A1	22-11-2001
			DE 60101821 D1	26-02-2004
			DE 60101821 T2	04-11-2004
			EP 1157792 A1	28-11-2001
			JP 2001334081 A	04-12-2001

DE 852666	C	16-10-1952	NONE	

DE 851007	C	29-09-1952	NONE	

US 4238882	A	16-12-1980	NONE	

INTERNATIONAL SEARCH REPORT

International application No.
PCT/US2004/042900

Box II Observations where certain claims were found unsearchable (Continuation of item 2 of first sheet)

This International Search Report has not been established in respect of certain claims under Article 17(2)(a) for the following reasons:

1. Claims Nos.:
because they relate to subject matter not required to be searched by this Authority, namely:

2. Claims Nos.:
because they relate to parts of the International Application that do not comply with the prescribed requirements to such an extent that no meaningful International Search can be carried out, specifically:

3. Claims Nos.:
because they are dependent claims and are not drafted in accordance with the second and third sentences of Rule 6.4(a).

Box III Observations where unity of invention is lacking (Continuation of item 3 of first sheet)

This International Searching Authority found multiple inventions in this international application, as follows:

see additional sheet

1. As all required additional search fees were timely paid by the applicant, this International Search Report covers all searchable claims.
2. As all searchable claims could be searched without effort justifying an additional fee, this Authority did not invite payment of any additional fee.
3. As only some of the required additional search fees were timely paid by the applicant, this International Search Report covers only those claims for which fees were paid, specifically claims Nos.:
4. No required additional search fees were timely paid by the applicant. Consequently, this International Search Report is restricted to the invention first mentioned in the claims; it is covered by claims Nos.:

Remark on Protest

- The additional search fees were accompanied by the applicant's protest.
- No protest accompanied the payment of additional search fees.

FURTHER INFORMATION CONTINUED FROM PCT/ISA/ 210

This International Searching Authority found multiple (groups of) inventions in this international application, as follows:

1. claims: 1-11,13-22

A shaving apparatus, comprising a base, arazor cartridge,
and a wick.

2. claim: 12

A shaving apparatus, comprising a handle having a
self-leveling mechanism, and a replacement cartridge
selectevely attached to the handle.
