



US00D616908S

(12) **United States Design Patent**
Labak et al.

(10) **Patent No.:** **US D616,908 S**
(45) **Date of Patent:** **** Jun. 1, 2010**

(54) **BASE**

(75) Inventors: **Christopher Labak**, Milford, NH (US);
Joseph St. Cyr, Salem, NH (US); **Derek Verhoorn**, Chelmsford, MA (US); **Seth Banks**, Lake Worth, FL (US); **Joseph Suarez**, Plantation, FL (US); **Brian Schmitz**, Fort Lauderdale, FL (US)

(73) Assignee: **Mako Surgical Corp.**, Fort Lauderdale, FL (US)

(**) Term: **14 Years**

(21) Appl. No.: **29/331,767**

(22) Filed: **Jan. 30, 2009**

(51) **LOC (9) Cl.** **15-99**

(52) **U.S. Cl.** **D15/199**

(58) **Field of Classification Search** D6/396;
D14/129; D15/199; D20/10, 16, 18, 20,
D20/21, 25, 31, 39, 99; D21/578-583, 593,
D21/594, 621, 622; D25/16; D32/21, 24;
180/8.6; 318/568.12, 568.2; 364/424.02;
446/268-274, 279, 280, 285, 289-292, 294,
446/297-303, 353-355, 376-384

See application file for complete search history.

(56) **References Cited**

U.S. PATENT DOCUMENTS

D292,604 S * 11/1987 Seo D21/578
D353,323 S * 12/1994 Meng D9/620
D365,583 S * 12/1995 Viken D15/151
5,667,113 A * 9/1997 Clarke et al. 222/608

D394,449 S * 5/1998 Shimizu D18/7
D431,612 S * 10/2000 Choi D21/550
D450,788 S * 11/2001 Kawasaki D21/578
D458,318 S * 6/2002 Christianson D21/578
D470,871 S * 2/2003 Burger et al. D15/150
D533,693 S * 12/2006 Lee D32/21
D549,756 S * 8/2007 Park et al. D15/199
D559,288 S * 1/2008 Matsuda D15/199
D566,737 S * 4/2008 Matsuda D15/199
D579,035 S * 10/2008 Kim et al. D15/199

* cited by examiner

Primary Examiner—Sandra Snapp

Assistant Examiner—Patricia Palasik

(74) *Attorney, Agent, or Firm*—Foley & Lardner LLP

(57) **CLAIM**

The ornamental design for a base, as shown and described.

DESCRIPTION

FIG. 1 is a front perspective view of a base according to our new design;

FIG. 2 is a right side view of the base shown in FIG. 1;

FIG. 3 is a left side view of the base shown in FIG. 1;

FIG. 4 is a front view of the base shown in FIG. 1;

FIG. 5 is a back view of the base shown in FIG. 1;

FIG. 6 is a top view of the base shown in FIG. 1; and,

FIG. 7 is a bottom view of the base shown in FIG. 1.

The broken lines in the drawings depict unclaimed environmental subject matter.

1 Claim, 6 Drawing Sheets

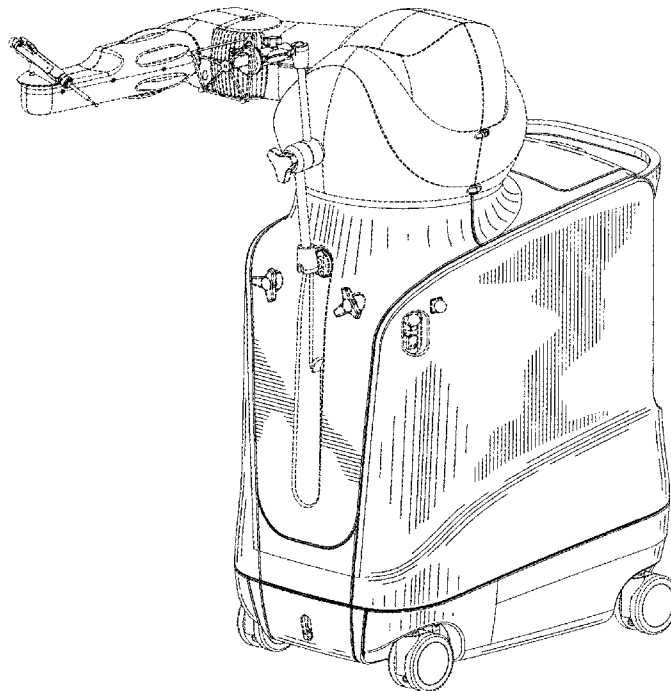


Fig. 1

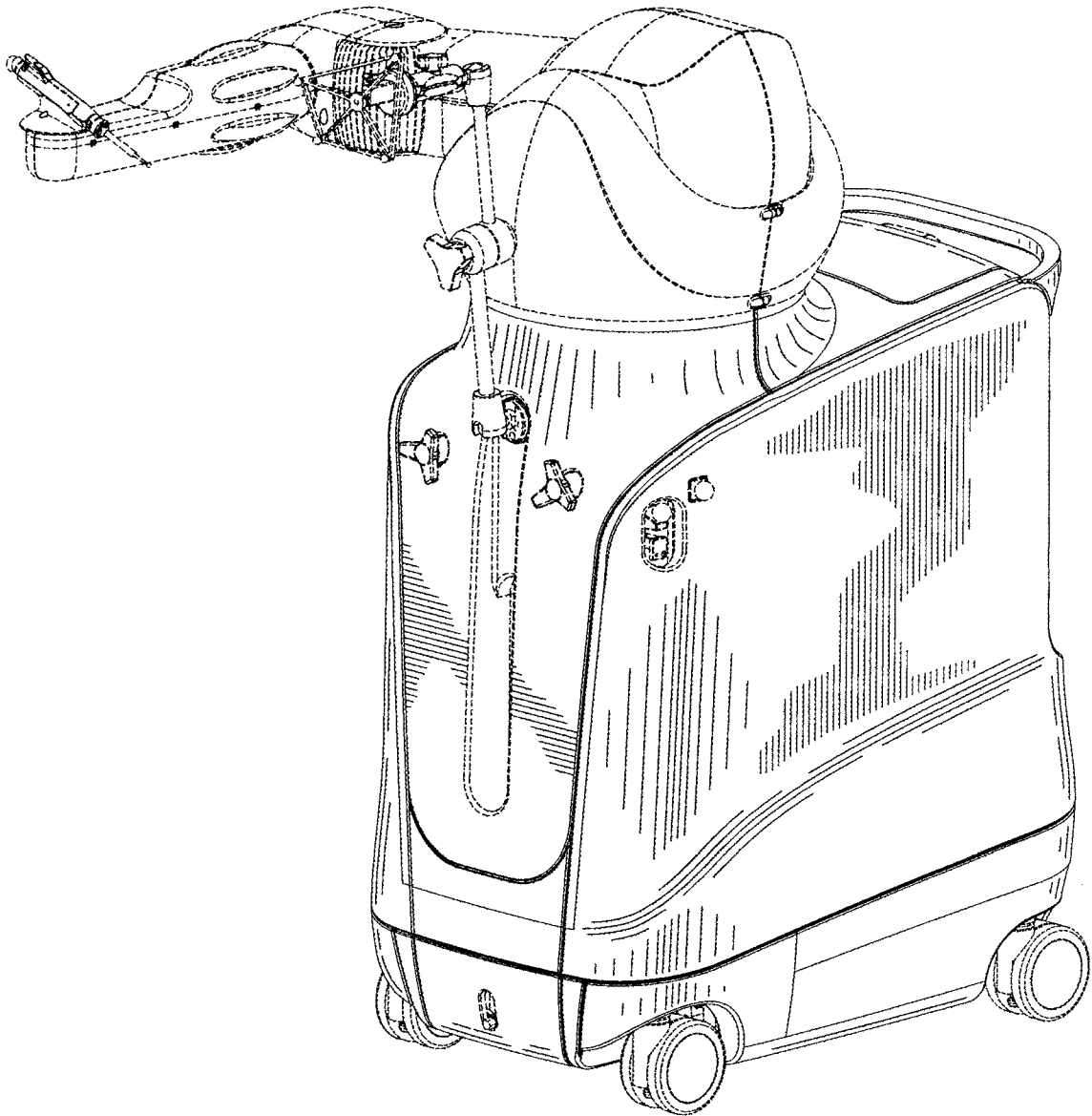


Fig. 2

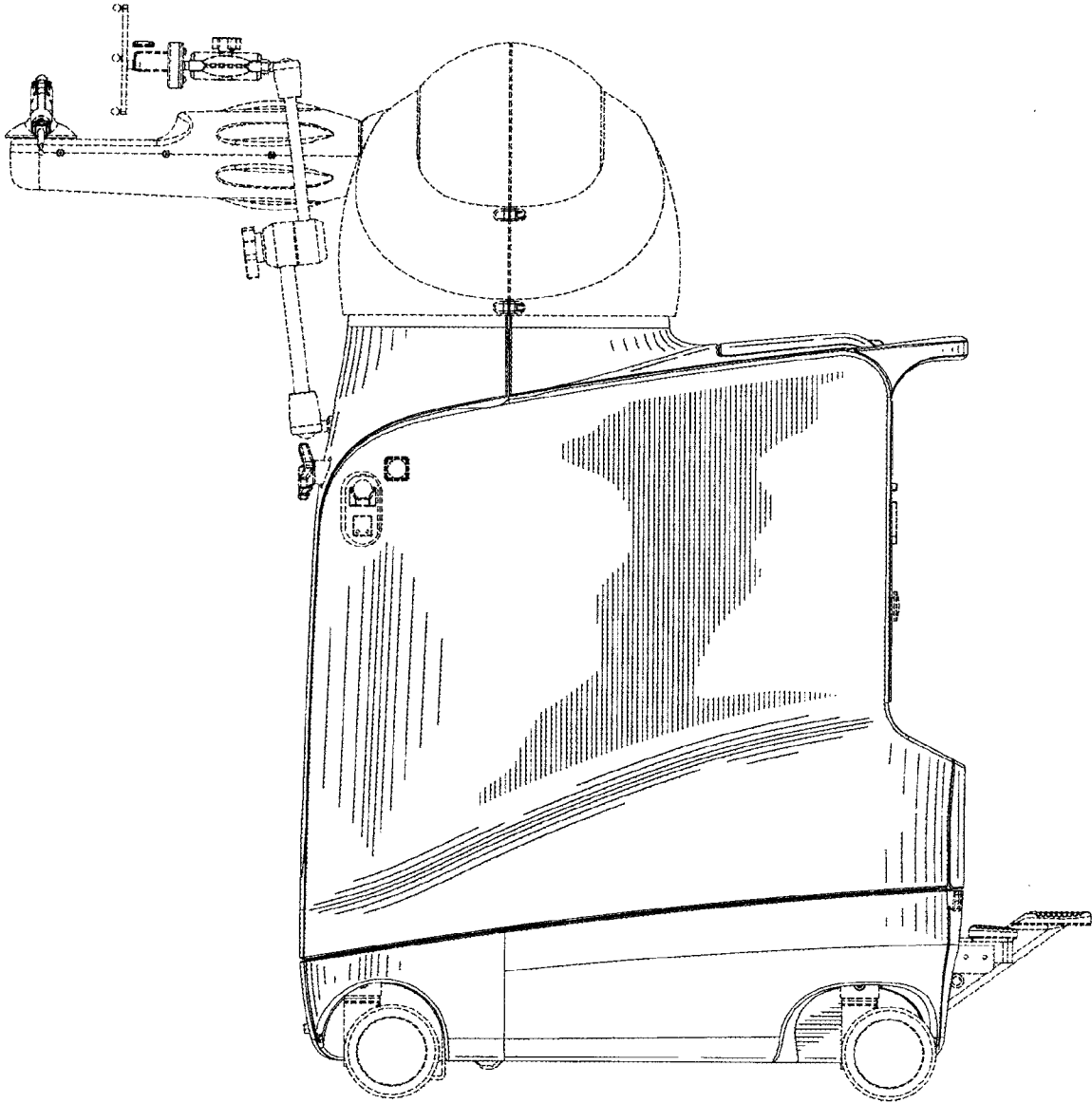


Fig. 3

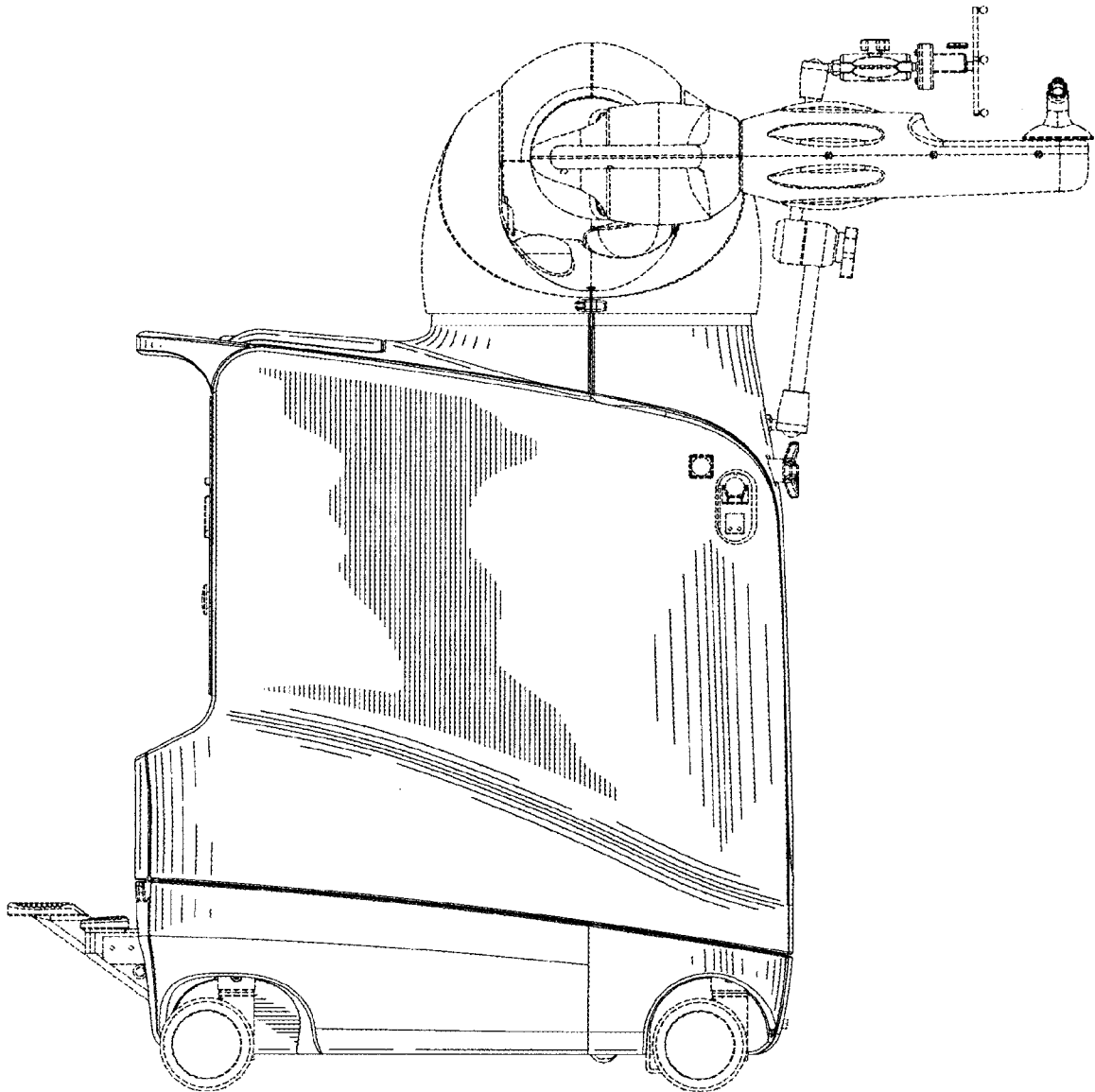


Fig. 4

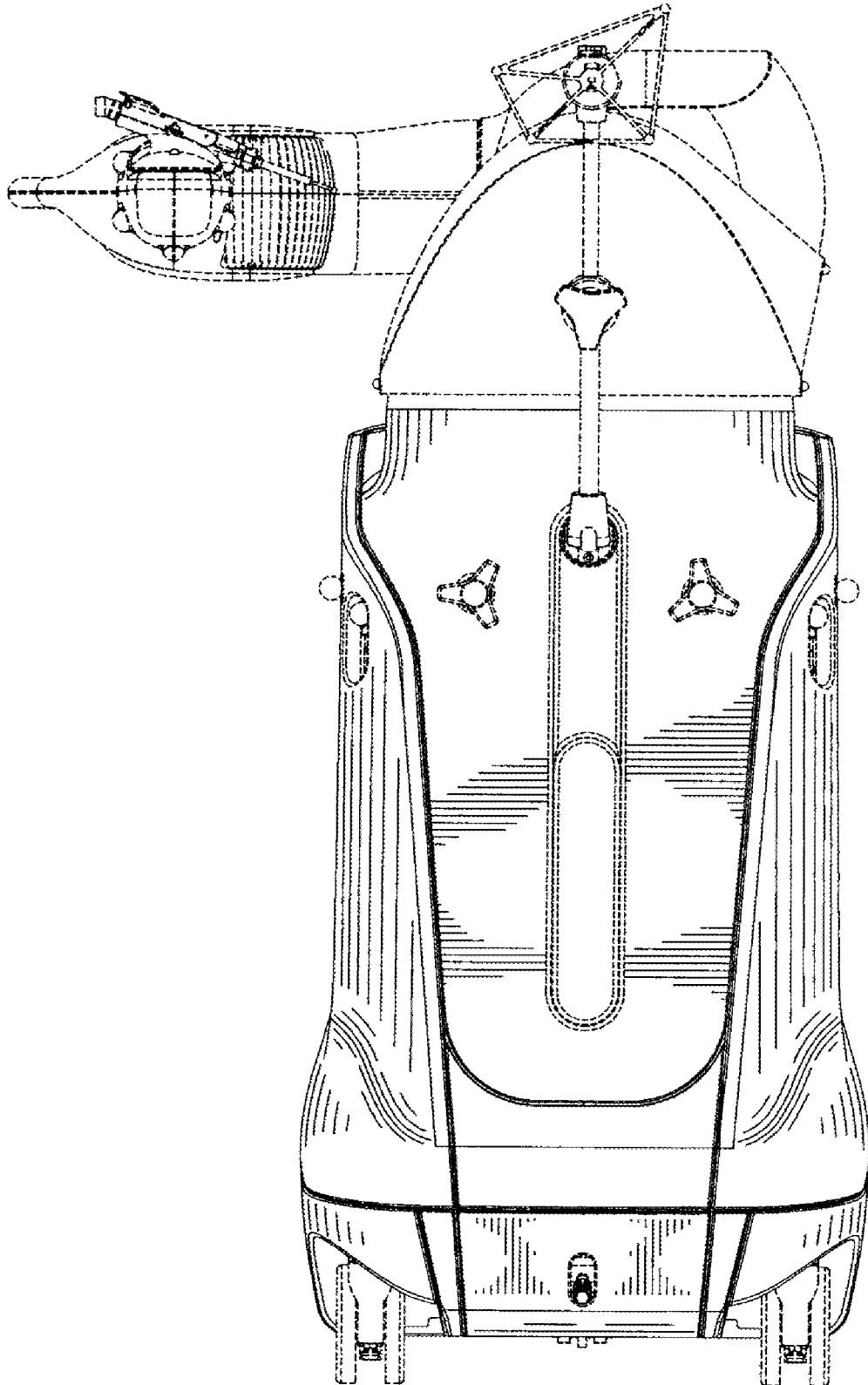


Fig. 5

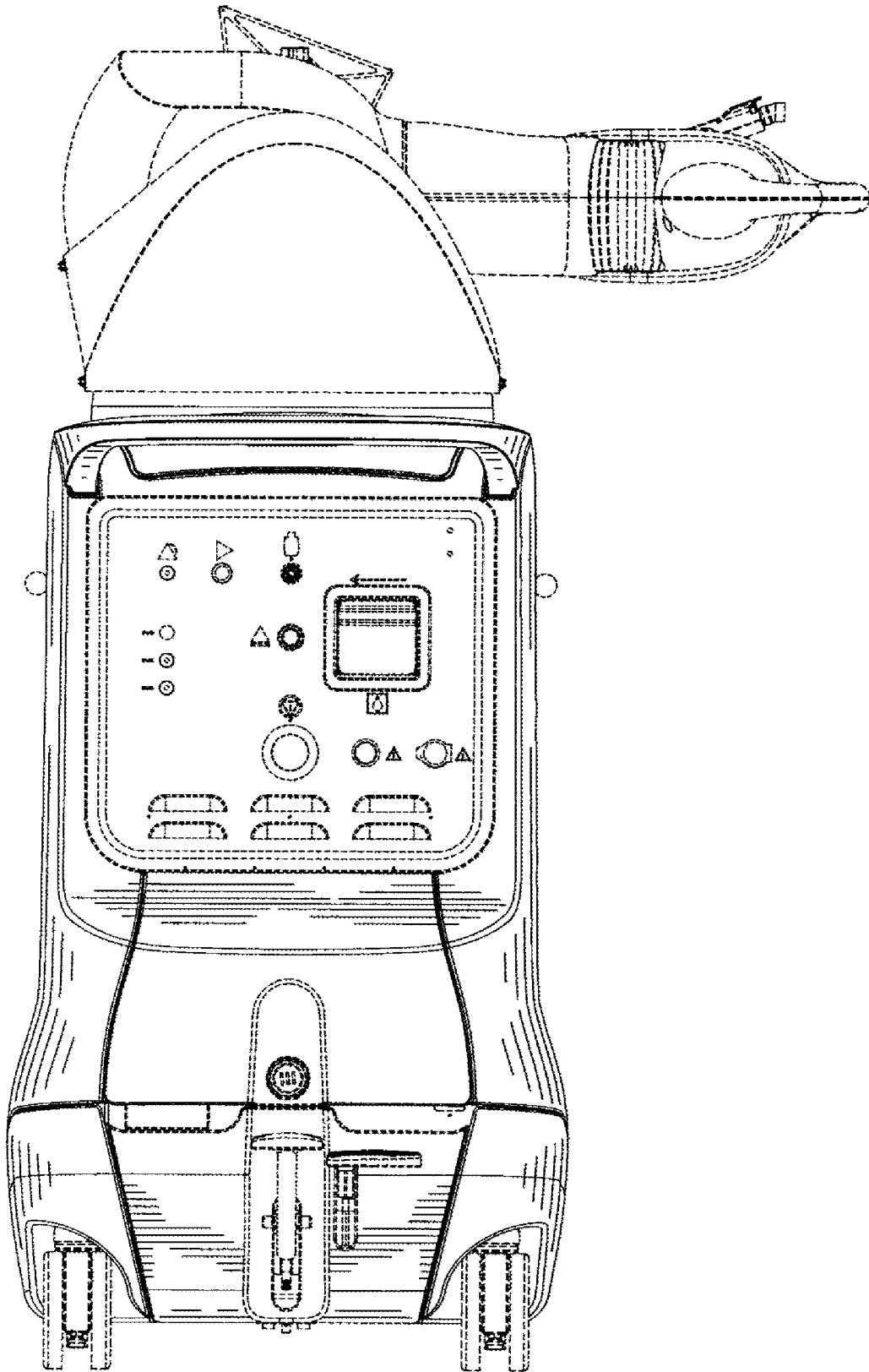


Fig. 6

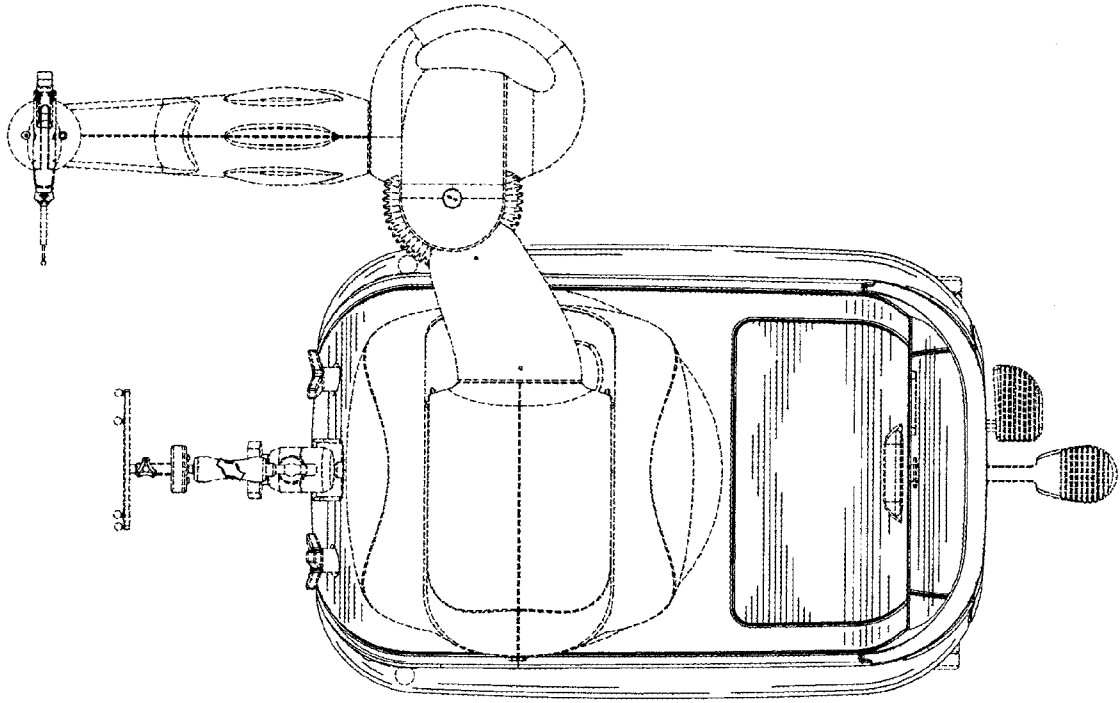


Fig. 7

