



US00D668937S

(12) **United States Design Patent**
Walker

(10) **Patent No.:** **US D668,937 S**

(45) **Date of Patent:** **** Oct. 16, 2012**

- (54) **UNIVERSAL HOOK WITH T-SCAN**
- (75) Inventor: **William H. Walker**, Fairlawn, OH (US)
- (73) Assignee: **Fasteners For Retail, Inc.**, Twinsburg, OH (US)
- (**) Term: **14 Years**
- (21) Appl. No.: **29/416,361**

D447,047 S *	8/2001	Clifford	D8/373
6,269,571 B1	8/2001	Thalenfeld	
6,389,722 B1	5/2002	Josefsson et al.	
6,502,706 B1 *	1/2003	Kent	211/87.01
6,612,527 B1	9/2003	Nagel	
D533,745 S *	12/2006	Rodrigue	D6/566
D558,029 S *	12/2007	Ernst et al.	D8/367
D606,847 S *	12/2009	Rataiczak, III	D8/367
2006/0024144 A1 *	2/2006	Horvath et al.	411/30

- (22) Filed: **Mar. 21, 2012**
- (51) **LOC (9) Cl.** **08-05**
- (52) **U.S. Cl.** **D8/367**
- (58) **Field of Classification Search** D8/367,
D8/354, 349, 373; 248/301, 304, 215, 220.21;
40/642.01; 211/57.1
See application file for complete search history.

OTHER PUBLICATIONS

FFR-DSI Yellow Pages 2011 Product Catalog, Cover page and pp. 273-281.

* cited by examiner

Primary Examiner — Cynthia Underwood

(74) *Attorney, Agent, or Firm* — Fay Sharpe LLP

(56) **References Cited**

U.S. PATENT DOCUMENTS

1,588,566 A *	6/1926	Wisner	182/92
5,154,304 A *	10/1992	McAuley	211/59.1
D354,431 S *	1/1995	Andrews	D8/373
5,503,277 A *	4/1996	O'Brien	211/106.01
5,647,566 A	7/1997	Kump	
5,702,008 A	12/1997	Thalenfeld et al.	
5,815,970 A	10/1998	Thalenfeld et al.	
5,826,359 A	10/1998	Thalenfeld et al.	
5,860,239 A	1/1999	Thalenfeld et al.	
5,887,731 A	3/1999	Thalenfeld	
5,901,487 A	5/1999	Thalenfeld et al.	
5,941,003 A	8/1999	Thalenfeld	
D420,567 S *	2/2000	Laga et al.	D8/373
6,234,436 B1	5/2001	Kump	

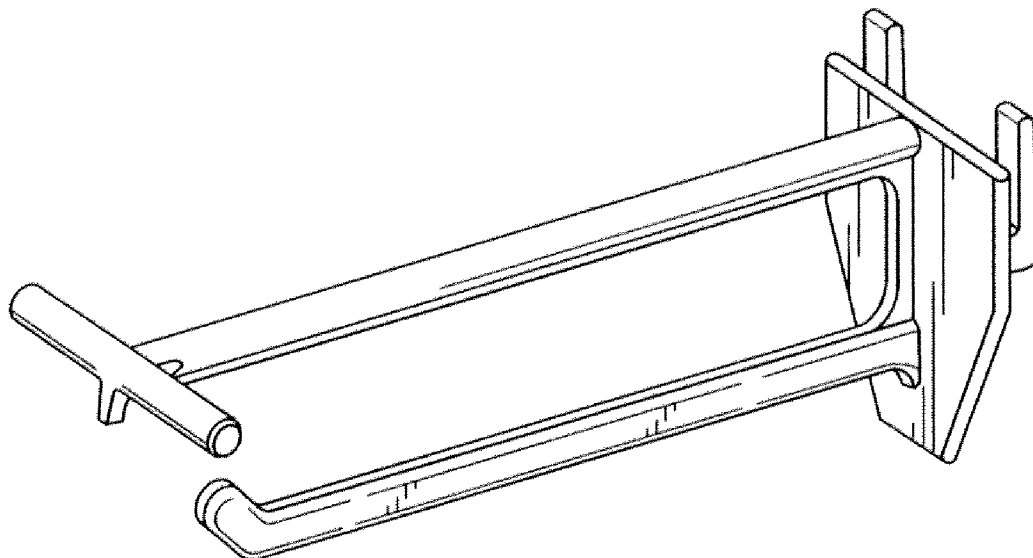
CLAIM

(57) The ornamental design for a universal hook with T-scan, as shown and described.

DESCRIPTION

FIG. 1 is a perspective view from the front right hand side of a universal hook with T-scan showing my new design;
 FIG. 2 is a perspective view from the rear right hand side thereof;
 FIG. 3 is a right side elevational view thereof, with the left side elevational view being a mirror image thereof;
 FIG. 4 is a top plan view thereof;
 FIG. 5 is a rear elevational view thereof;
 FIG. 6 is a front elevational view thereof; and,
 FIG. 7 is a bottom plan view thereof.

1 Claim, 2 Drawing Sheets



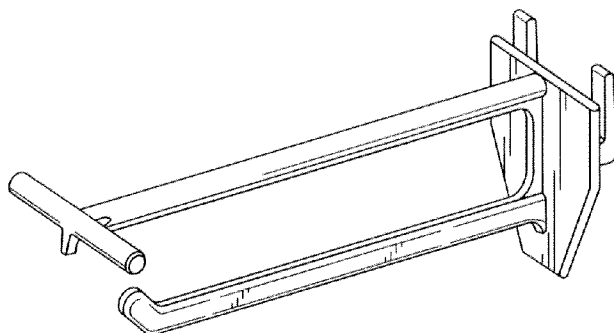


FIG. 1

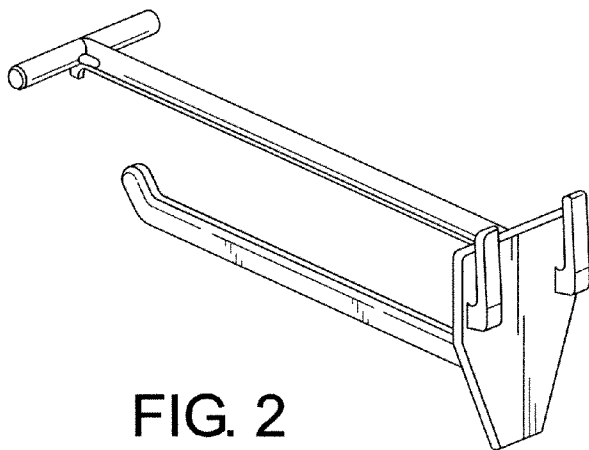


FIG. 2

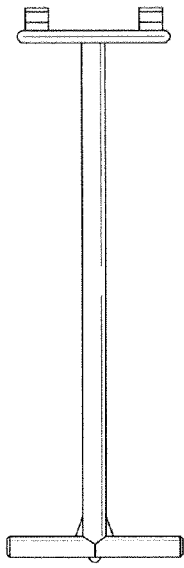


FIG. 4

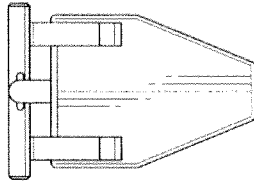


FIG. 5

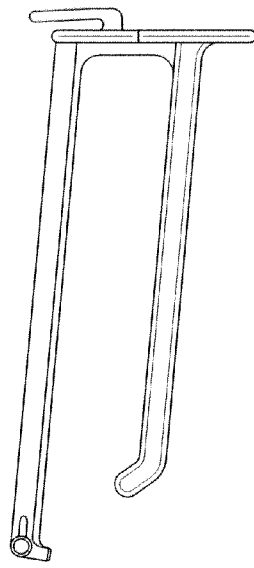


FIG. 3

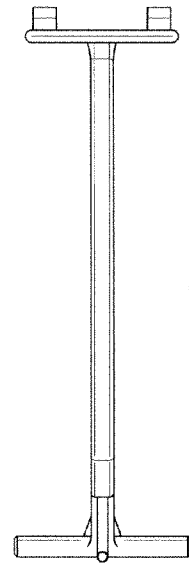


FIG. 7

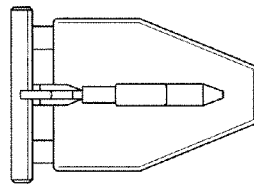


FIG. 6