



US00D559844S

(12) **United States Design Patent**
Slotin et al.

(10) **Patent No.:** **US D559,844 S**

(45) **Date of Patent:** **** Jan. 15, 2008**

(54) **FIXED DATA DEVICE**

(75) Inventors: **Haim Slotin**, Oranit (IL); **Oren Azoulay**, Givatayim (IL); **Micha Manassen**, Petah Tikva (IL)

(73) Assignee: **Motorola, Inc.**, Schaumburg, IL (US)

(**) Term: **14 Years**

(21) Appl. No.: **29/255,296**

(22) Filed: **Mar. 7, 2006**

(51) **LOC (8) Cl.** **14-02**

(52) **U.S. Cl.** **D14/300**

(58) **Field of Classification Search** D14/300,
D14/301, 308, 313, 314, 356, 357, 363-365,
D14/367, 370, 140.3, 140.4; D13/123, 147,
D13/164, 184, 199; 361/680-686, 690-696,
361/724, 725, 727, 797; 360/99.01-99.12;
369/34.01, 36.01; 312/223.1-223.3

See application file for complete search history.

(56) **References Cited**

U.S. PATENT DOCUMENTS

D337,770 S * 7/1993 Johnson D14/140.3
D373,362 S * 9/1996 Kuroiwa et al. D14/140.4

D377,478 S * 1/1997 Geck D14/308
D401,229 S * 11/1998 Roehrs et al. D14/363
D410,653 S * 6/1999 Roy et al. D14/140.4
6,288,902 B1 * 9/2001 Kim et al. 361/725
2002/0006026 A1 * 1/2002 Takahashi et al. 361/687

* cited by examiner

Primary Examiner—Freda S. Nunn

(74) *Attorney, Agent, or Firm*—Randi L. Karpinia

(57) **CLAIM**

The ornamental design for a fixed data device, as shown and described.

DESCRIPTION

FIG. 1 is a front, left and top perspective view of a fixed data device showing our new design;

FIG. 2 is a back view thereof;

FIG. 3 is a front view thereof;

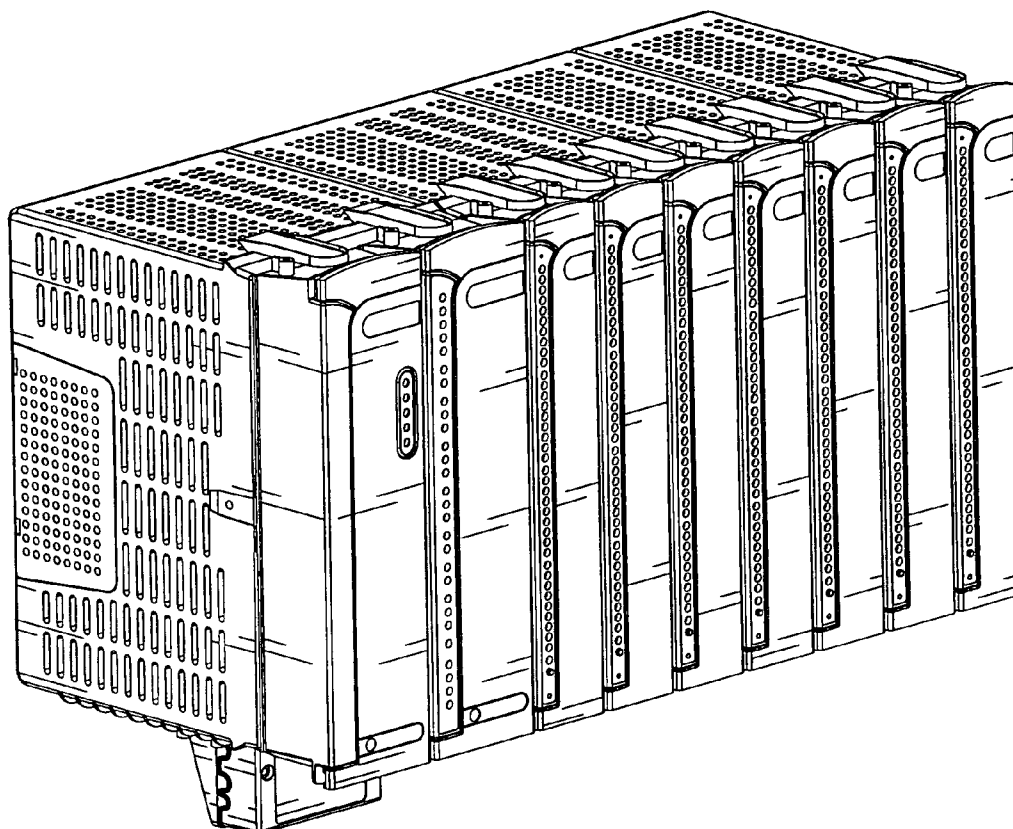
FIG. 4 is a top view thereof;

FIG. 5 is a bottom view thereof;

FIG. 6 is a left view thereof; and,

FIG. 7 is a right view thereof.

1 Claim, 4 Drawing Sheets



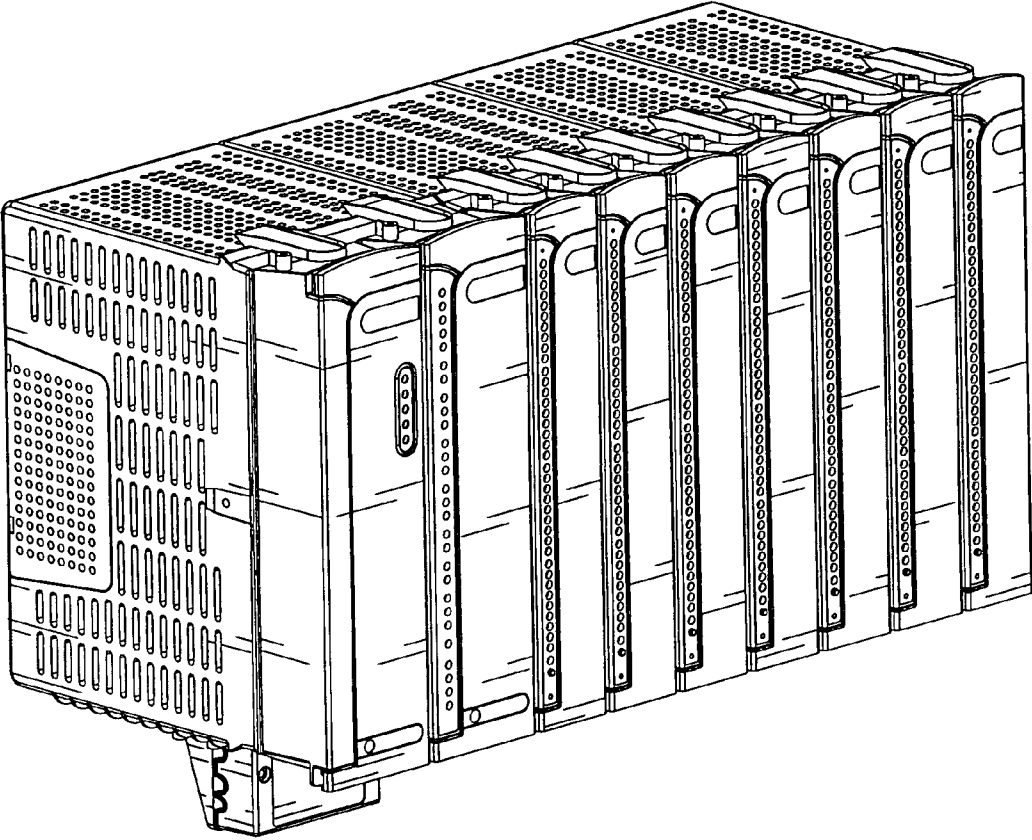


FIG. 1

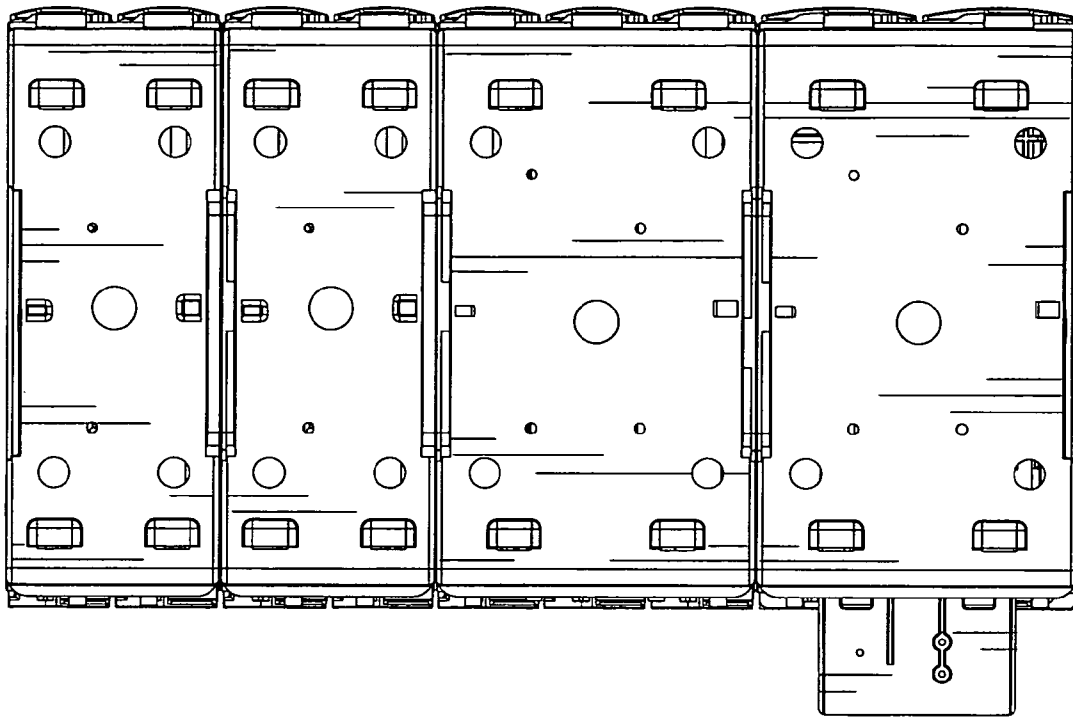


FIG. 2

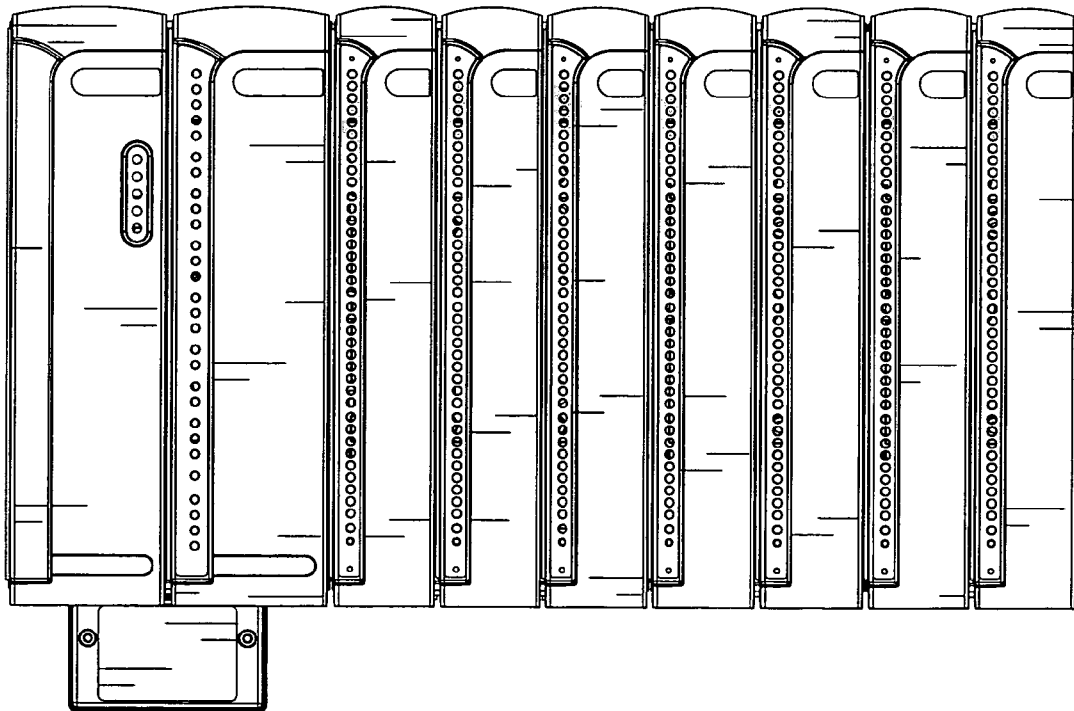


FIG. 3

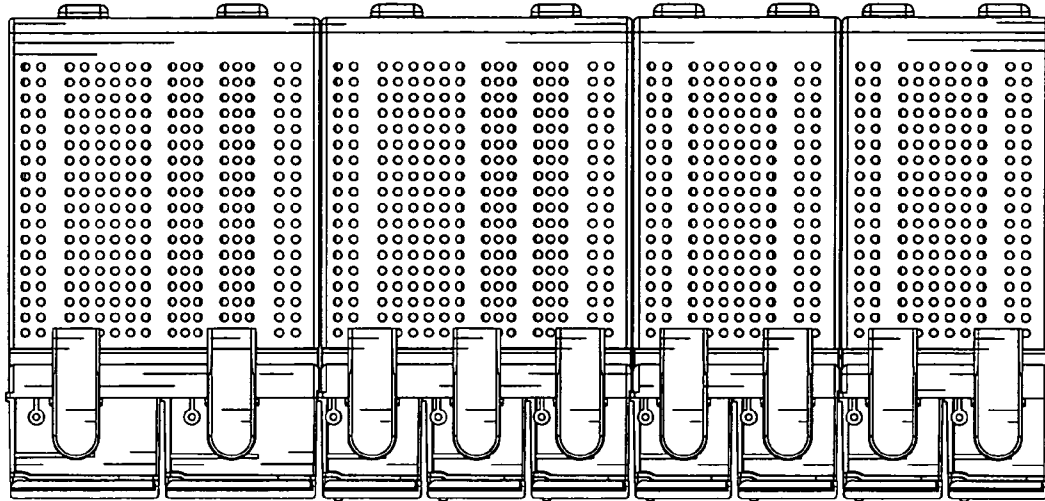


FIG. 4

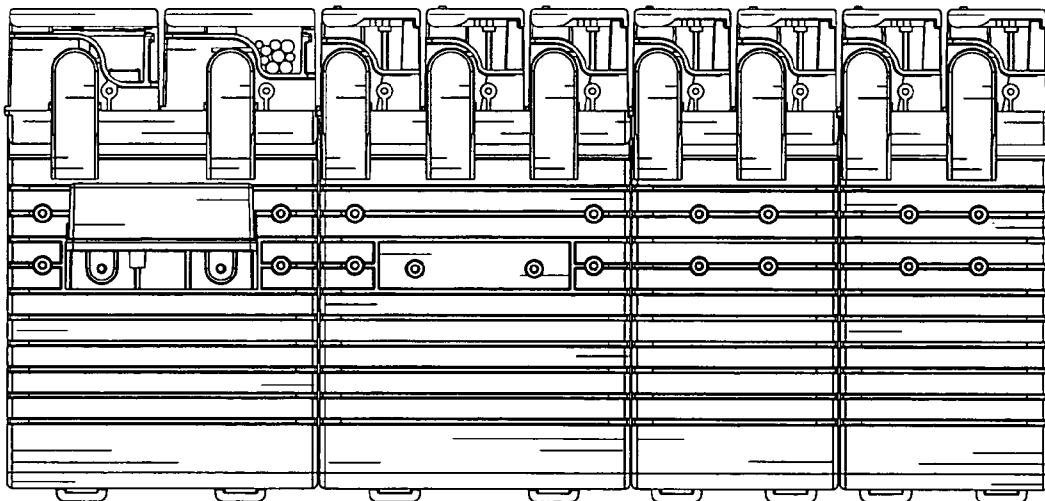


FIG. 5

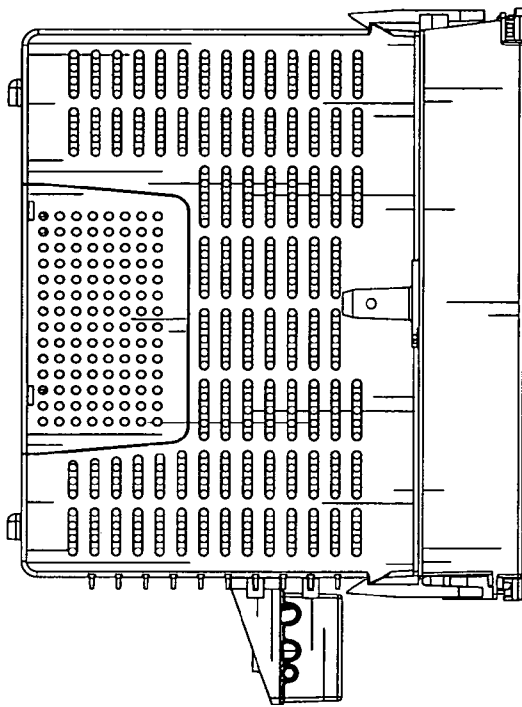


FIG. 6

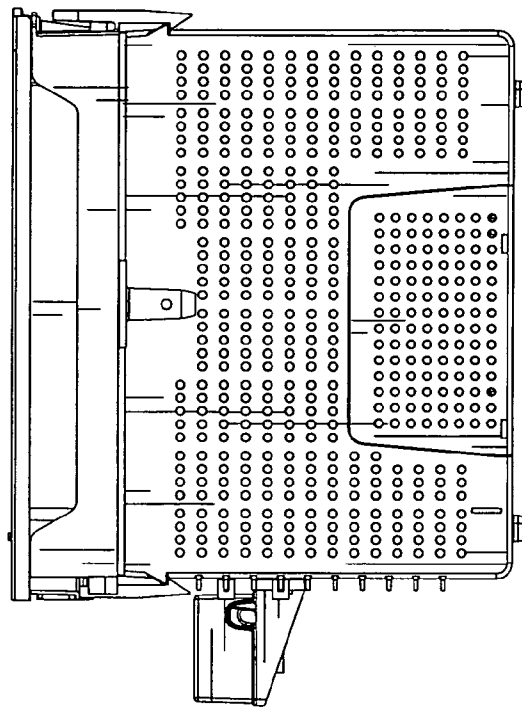


FIG. 7