



US00D850269S

(12) **United States Design Patent**
Koenick et al.

(10) **Patent No.:** **US D850,269 S**
(45) **Date of Patent:** **** Jun. 4, 2019**

- (54) **CONTAINER**
 - (71) Applicant: **Owens-Brockway Glass Container Inc.**, Perrysburg, OH (US)
 - (72) Inventors: **Lara Koenick**, Boyds, MD (US); **Raul Paredes**, Perrysburg, OH (US); **Douglas Laib**, Perrysburg, OH (US); **Paul Harris**, Toledo, OH (US); **Andrew Birkhoff**, Columbus, OH (US); **Young Lee**, Perrysburg, OH (US)
 - (73) Assignee: **Owens-Brockway Glass Container Inc.**, Perrysburg, OH (US)
 - (**) Term: **15 Years**
 - (21) Appl. No.: **29/647,321**
 - (22) Filed: **May 11, 2018**
 - (51) **LOC (11) Cl.** **09-01**
 - (52) **U.S. Cl.**
USPC **D9/516; D9/560**
 - (58) **Field of Classification Search**
USPC D9/500, 502–505, 516, 530, 537, D9/539–540, 544–546, 549, 550, 558, D9/560, 715, 719
CPC B65D 1/00; B65D 1/02; B65D 1/0223; B65D 23/00; B65D 81/00; B65D 2501/00; B65D 2501/0009; B65D 2501/0081
- See application file for complete search history.

D506,135 S *	6/2005	Breier	D9/500
D522,366 S	6/2006	Scott		
D530,214 S	10/2006	Scott		
D622,608 S *	8/2010	Sansevero	D9/544
D624,823 S *	10/2010	Brown	D9/544
D683,228 S *	5/2013	Gonzalez Rodriguez	D9/545
D687,302 S	8/2013	Reynolds		
D692,761 S	11/2013	Staley		
D697,405 S	1/2014	Ahlgren et al.		
D713,250 S	9/2014	Perez-Cabrera		
D766,092 S	9/2016	Maillet et al.		
D828,175 S *	9/2018	Furneaux	D9/544

* cited by examiner

Primary Examiner — Dana Meyrow

(57) **CLAIM**

We claim the ornamental design for a container, as shown and described.

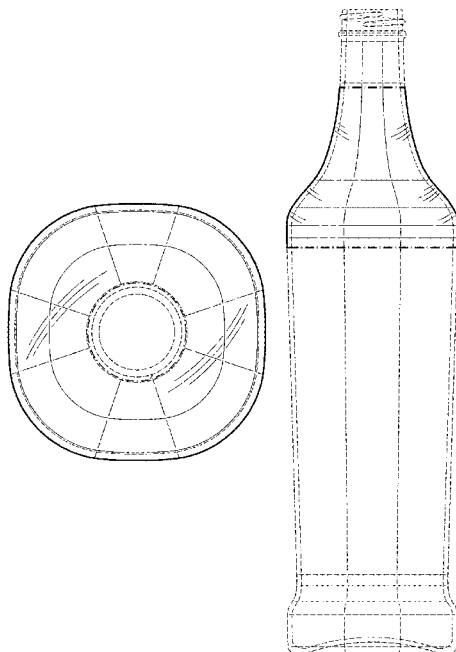
DESCRIPTION

FIG. 1 is a perspective view of a container in accordance with our new design;
 FIG. 2 is a front view of the container in FIG. 1, the rear and side views of the claimed design being identical to the front view of FIG. 2.
 FIG. 3 is an enlarged top view of the container in FIG. 1; and,
 FIG. 4 is an enlarged bottom view of the container in FIG. 1.
 Dash-dash-dash broken lines shown in the drawings represent subject matter that is not part of the claimed design.
 Dash-dot-dash broken lines shown in the drawings represent boundaries of the claimed design and are not part of the claimed design.

(56) **References Cited**
U.S. PATENT DOCUMENTS

D41,559 S *	7/1911	Marsters	D9/560
D46,683 S *	11/1914	Lehmann	D9/546

1 Claim, 2 Drawing Sheets



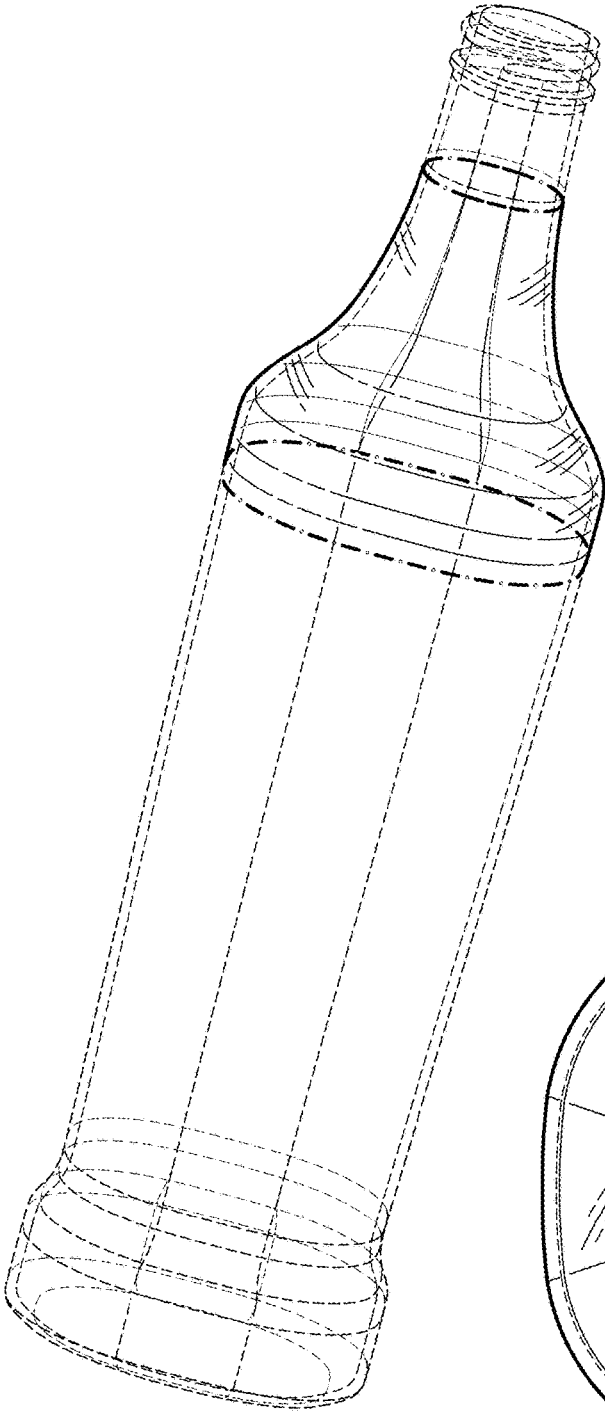


FIG. 1

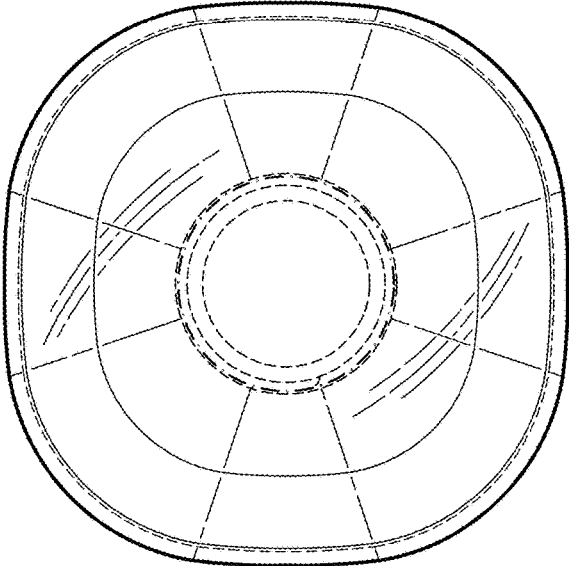


FIG. 2

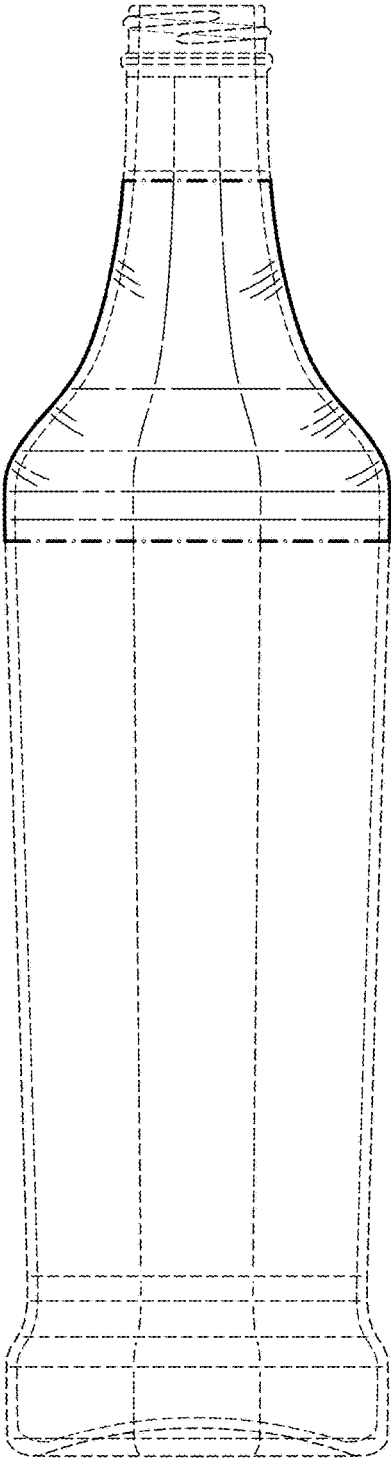


FIG. 3

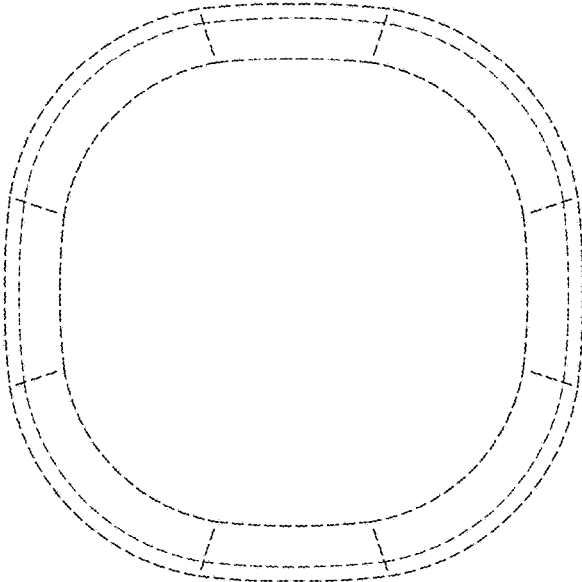


FIG. 4