



US00D751245S

(12) **United States Design Patent**
Stanley

(10) **Patent No.:** **US D751,245 S**
(45) **Date of Patent:** **** Mar. 8, 2016**

- (54) **HORTICULTURE GROW LIGHT**
- (71) Applicant: **IP Holdings, LLC**, Vancouver, WA (US)
- (72) Inventor: **John Stanley**, Vancouver, WA (US)
- (73) Assignee: **IP Holdings, LLC**, Vancouver, WA (US)
- (**) Term: **14 Years**

D543,652 S *	5/2007	Hargreaves	D26/118
D544,987 S *	6/2007	Hargreaves	D26/88
D544,995 S *	6/2007	Hargreaves	D26/118
D545,484 S *	6/2007	Hargreaves	D26/118
D545,485 S *	6/2007	Hargreaves	D26/118
D572,858 S *	7/2008	Santoro	D26/120
D614,801 S *	4/2010	Collins	D26/118
7,722,208 B1 *	5/2010	Dupre	F21V 7/00 362/147

- (21) Appl. No.: **29/511,535**
 - (22) Filed: **Dec. 11, 2014**
 - (51) **LOC (10) Cl.** **26-99**
 - (52) **U.S. Cl.**
USPC **D26/118**
 - (58) **Field of Classification Search**
USPC D10/18, 21, 24, 25, 27, 28, 46, 93, 104,
D10/106, 113, 116.1, 121; D26/72, 113,
D26/120, 124, 138
CPC A63H 30/04; G05G 2009/04748;
H04B 1/1027; F21S 8/04; F21S 2/005;
F21S 2/00; B29D 21/04; F21V 15/015;
F21V 27/00; F21V 21/14; F21V 21/005;
F21Y 2103/00
- See application file for complete search history.

(Continued)

OTHER PUBLICATIONS

Low Rider Air-Cooled Reflector—TinEye, image post date Oct. 11, 2012, site visited Oct. 1, 2015, (online), <https://www.tineye.com/search/1b0e187c5ed9e4e9cfb55d0472271385a2c0e888/?pluginver=>.*>.*

Primary Examiner — Kevin Rudzinski
Assistant Examiner — Sean D Lough
(74) *Attorney, Agent, or Firm* — J. Douglas Wells

(57) **CLAIM**
The ornamental design for the horticulture grow light, as shown and described.

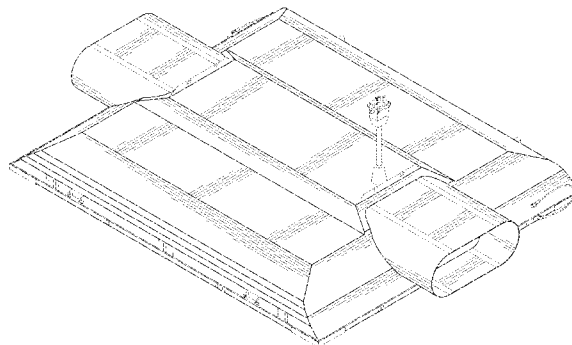
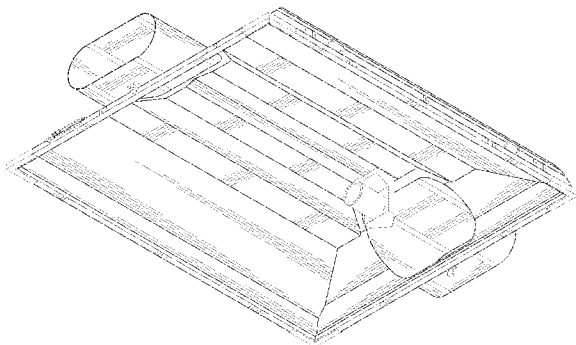
DESCRIPTION

FIG. 1 is a perspective view of a horticulture grow light, as viewed from below, showing my new design;
FIG. 2 is a perspective view of the grow light shown in FIG. 1, as viewed from above;
FIG. 3 is a left side view of the light shown in FIG. 1;
FIG. 4 is a right side view of the light shown in FIG. 1;
FIG. 5 is a front elevation view of the light shown in FIG. 1;
FIG. 6 is a rear elevation view of the light shown in FIG. 1;
FIG. 7 is a top plan view of the light shown in FIG. 1; and,
FIG. 8 is a bottom plan view of the light shown in FIG. 1.
The broken-line disclosure shown in the views is understood to represent portions of the article in which the claimed design is embodied, but which form no part of the claimed design.

(56) **References Cited**
U.S. PATENT DOCUMENTS

D106,614 S *	10/1937	Waterbury	D26/91
D195,012 S *	4/1963	Hoyle	D23/388
4,175,360 A *	11/1979	Mulvey	E04B 9/0428 362/148
4,531,180 A *	7/1985	Hernandez	F21V 11/00 362/297
4,933,821 A *	6/1990	Anderson	F21V 5/00 362/223
D311,597 S *	10/1990	Poot	D26/118
D352,126 S *	11/1994	Ruud	D26/24
6,527,422 B1 *	3/2003	Hutchison	F21S 48/328 362/290

1 Claim, 6 Drawing Sheets



US D751,245 S

(56)

References Cited

U.S. PATENT DOCUMENTS

D634,060 S * 3/2011 Wardenburg D26/118
D634,468 S * 3/2011 Hargreaves D26/118
7,959,331 B2 * 6/2011 Ho F21V 15/01
362/249.02
7,972,044 B2 * 7/2011 Burkhauser A01G 9/26
362/218
8,209,912 B2 * 7/2012 Hargreaves A01G 9/26
362/362
8,348,481 B2 * 1/2013 Chang F21S 8/04
362/147
8,505,224 B2 * 8/2013 Huang H02S 30/10
126/704
D698,986 S * 2/2014 Reynolds D26/118
D698,987 S * 2/2014 Stanley D26/118

D721,844 S * 1/2015 Lay D26/71
D725,819 S * 3/2015 Reynolds D26/118
9,016,907 B2 * 4/2015 Stanley A01G 7/045
362/373
D728,848 S * 5/2015 Reyes D26/118
D731,701 S * 6/2015 Hargreaves D26/118
D732,233 S * 6/2015 Reynolds D26/118
D732,235 S * 6/2015 Reynolds D26/118
D732,236 S * 6/2015 Reynolds D26/118
D736,450 S * 8/2015 Reynolds D26/118
D737,498 S * 8/2015 Stanley D26/118
D739,595 S * 9/2015 Reynolds D26/118
2008/0205030 A1 * 8/2008 Hargreaves F21V 23/026
362/1
2010/0302768 A1 * 12/2010 Collins F21V 7/09
362/217.05

* cited by examiner

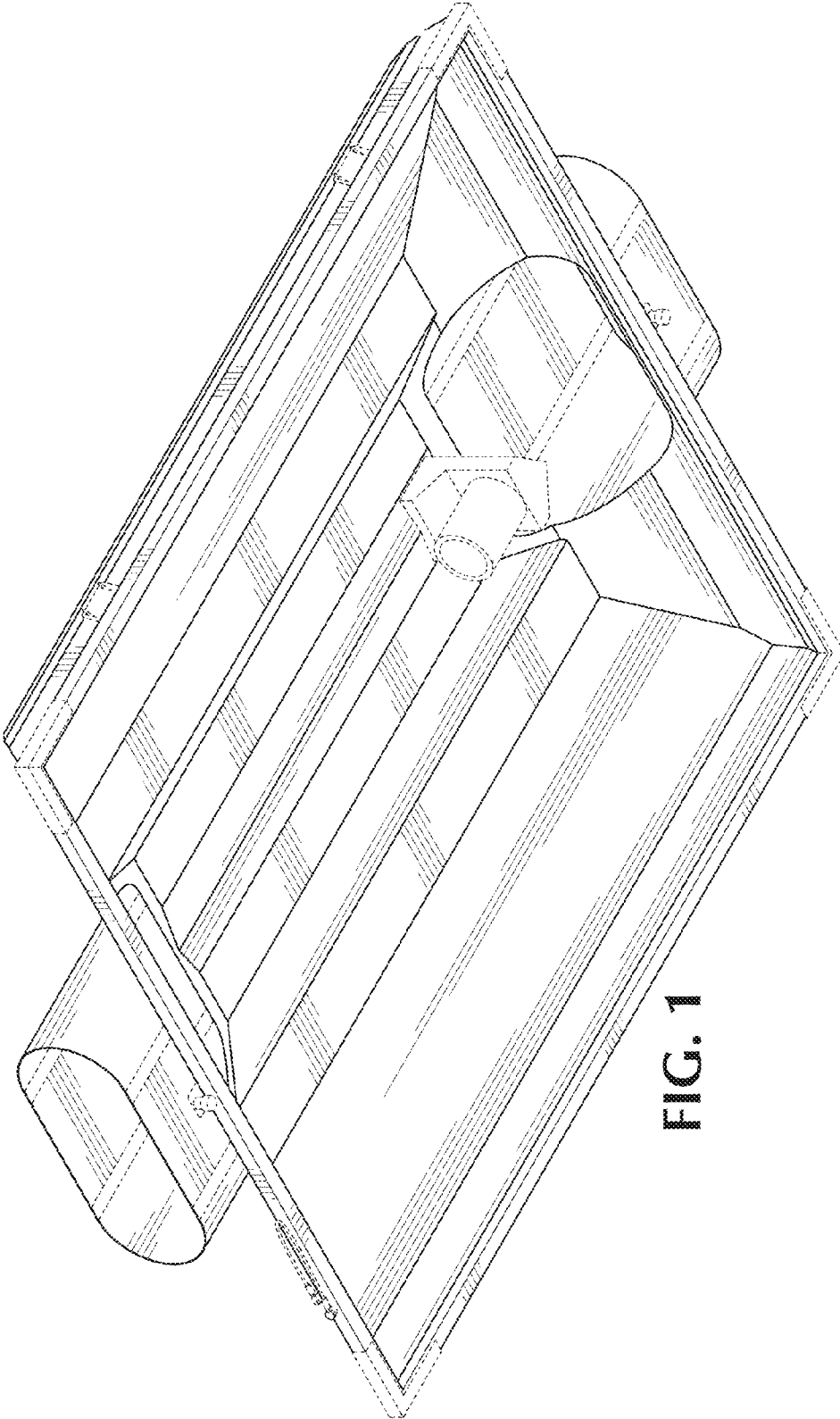


FIG. 1

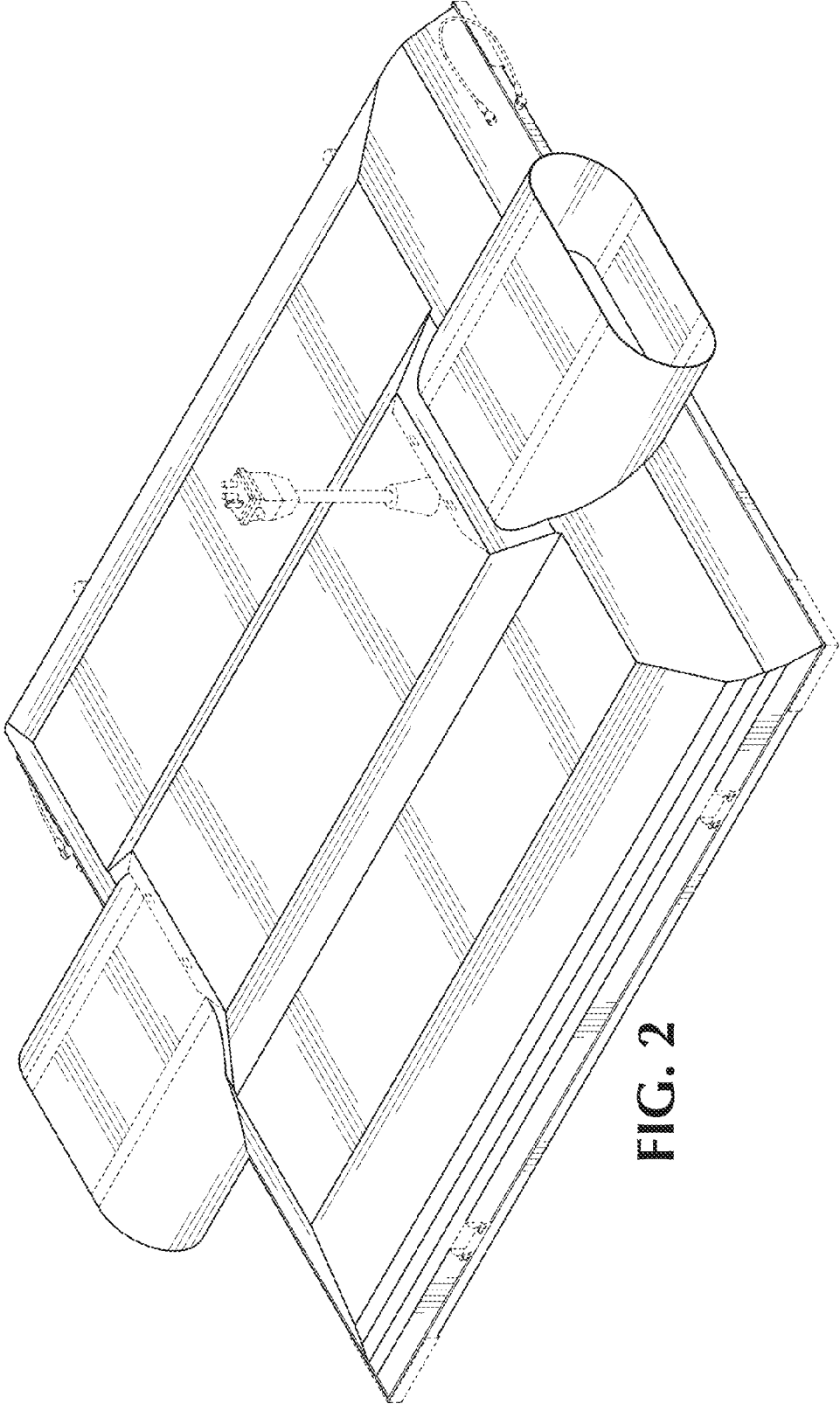


FIG. 2

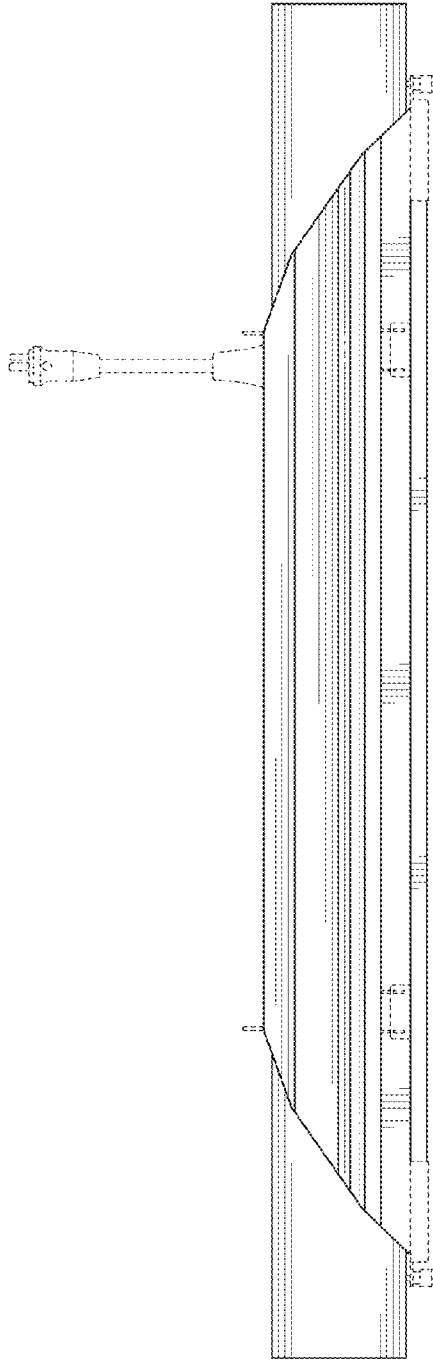


FIG. 3

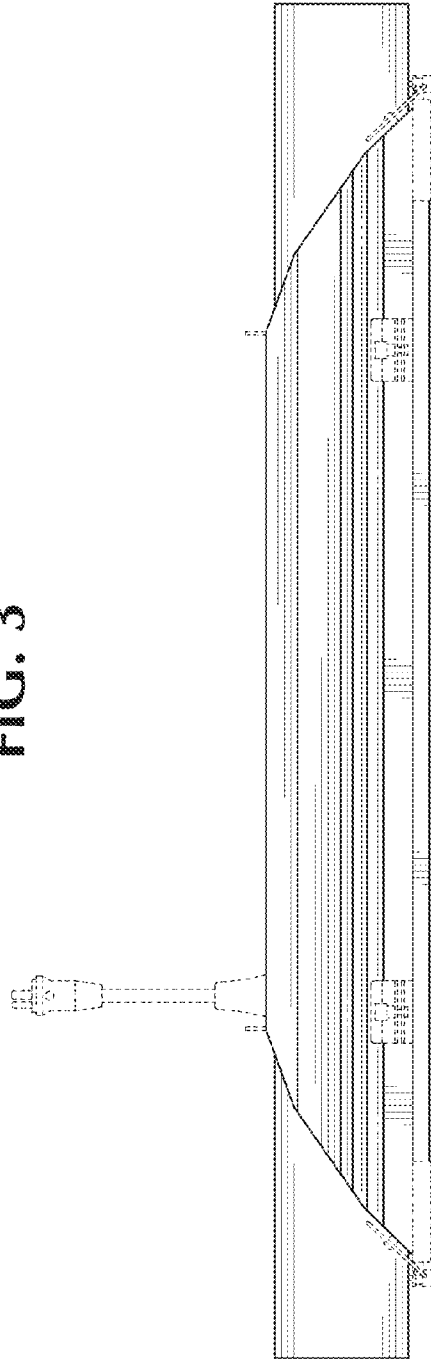


FIG. 4

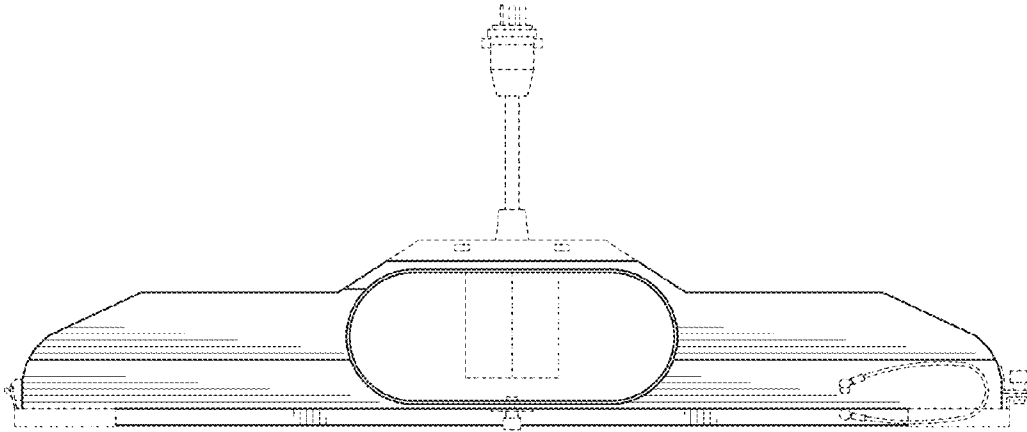


FIG. 5

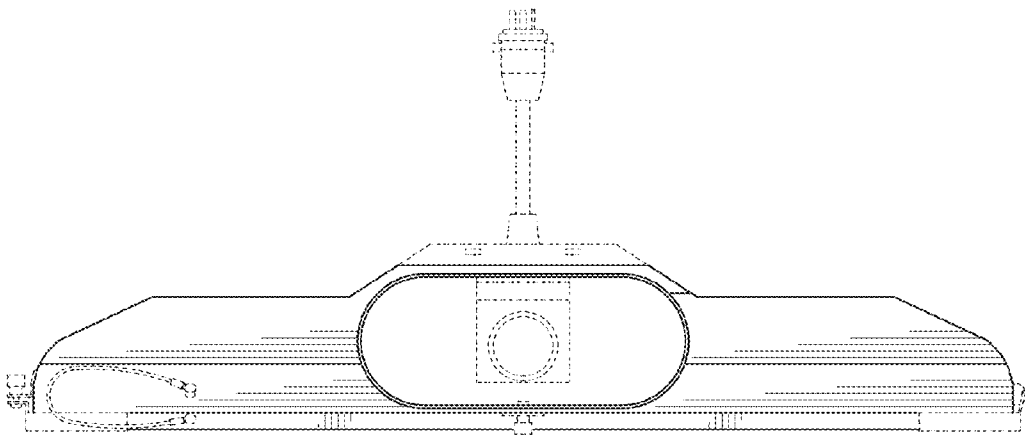
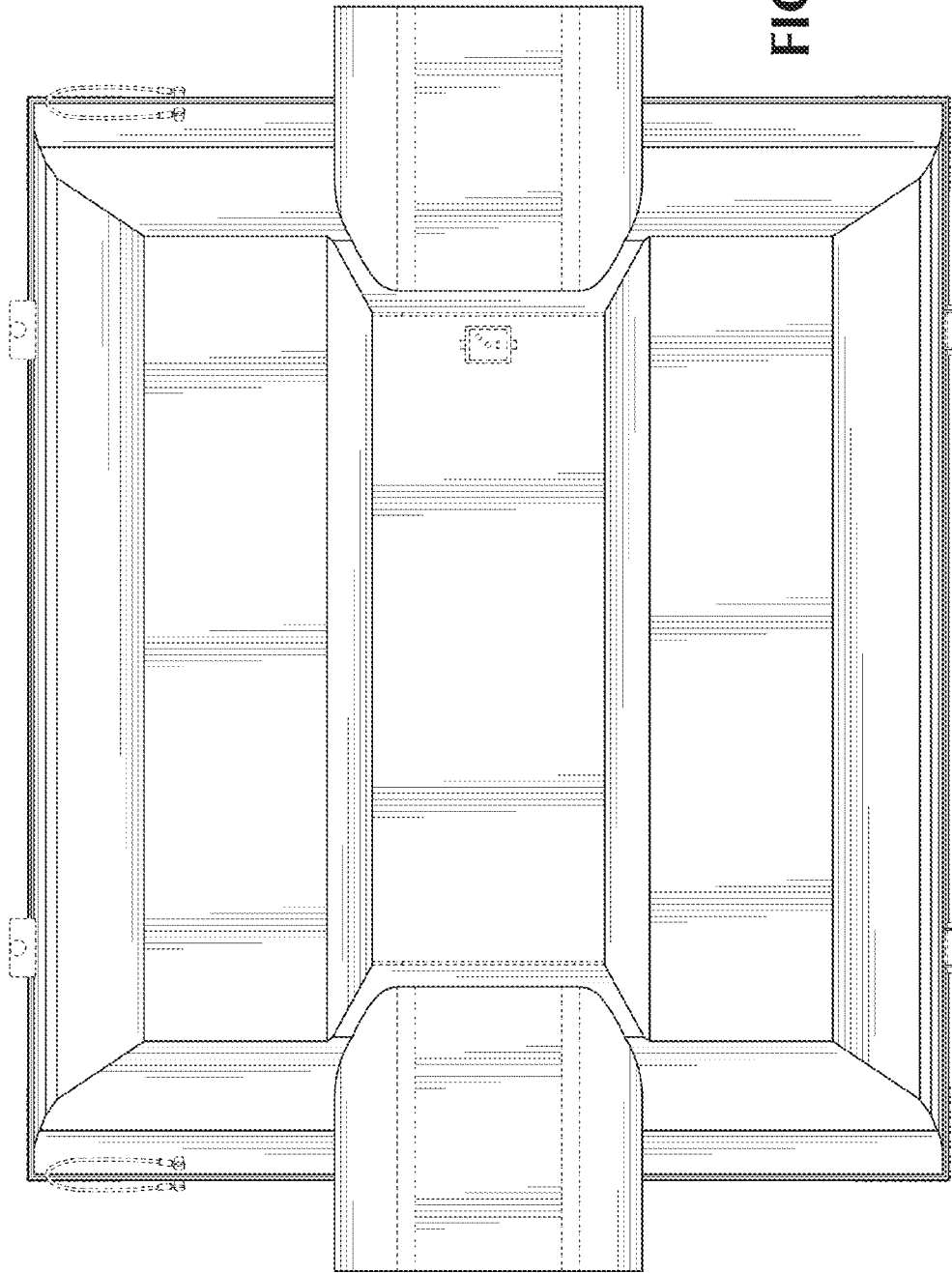


FIG. 6



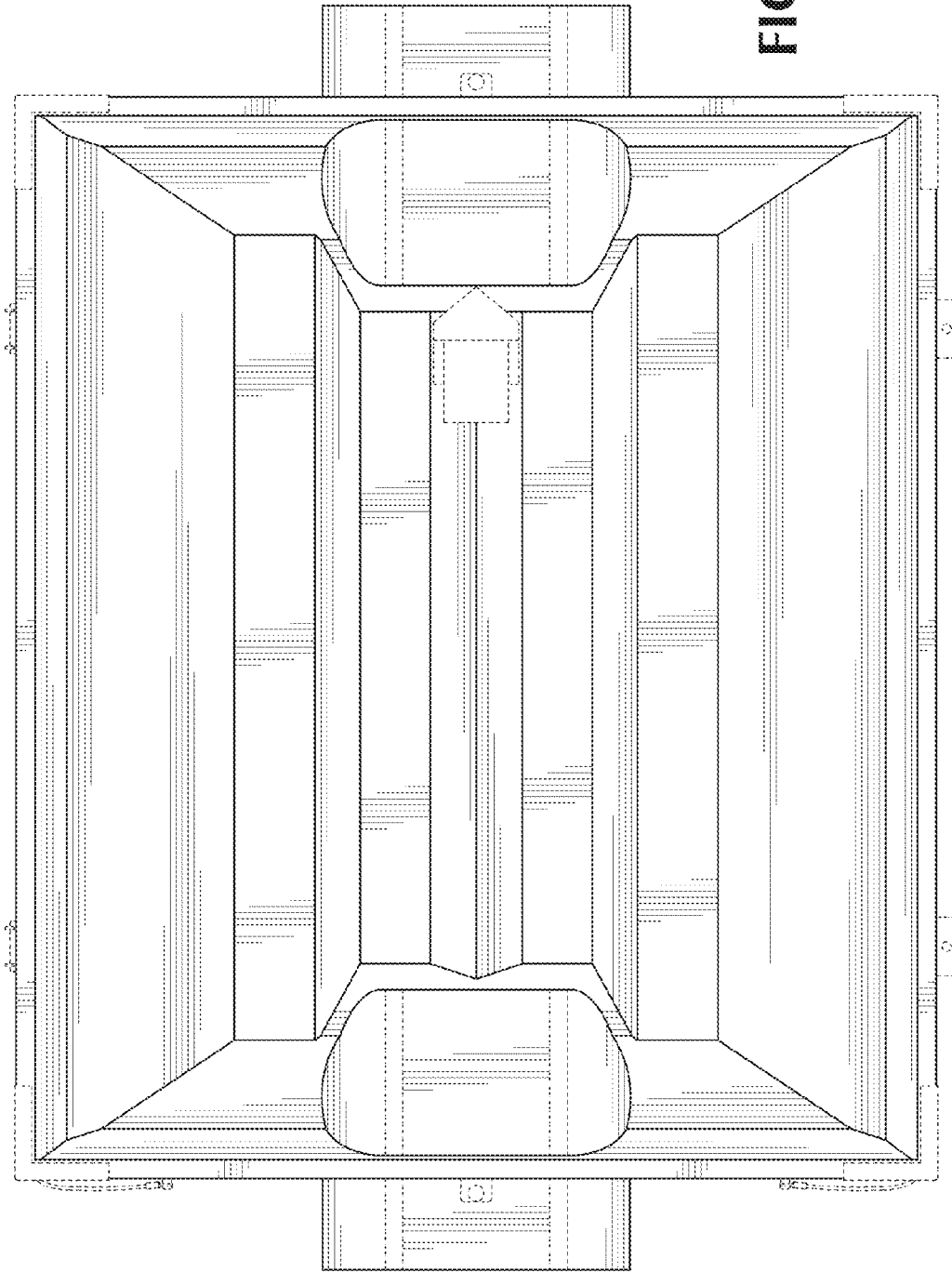


FIG. 8