



US00D639065S

(12) **United States Design Patent**  
**Duvigneau**

(10) **Patent No.:** **US D639,065 S**

(45) **Date of Patent:** **\*\* Jun. 7, 2011**

(54) **BOX WITH COVER**

(75) Inventor: **Nikolai Duvigneau, Zichron Yaacov (IL)**

(73) Assignee: **Curver Luxembourg Sarl, Neidercorn (LU)**

(\*\*) Term: **14 Years**

(21) Appl. No.: **29/364,119**

(22) Filed: **Jun. 18, 2010**

(30) **Foreign Application Priority Data**

Dec. 21, 2009 (EM) ..... 001650326-0001  
Dec. 21, 2009 (EM) ..... 001650326-0002

(51) **LOC (9) Cl.** ..... **03-01**

(52) **U.S. Cl.** ..... **D3/302**

(58) **Field of Classification Search** ..... D3/272-273,  
D3/284; 190/1, 4-5, 19; 206/278, 296  
See application file for complete search history.

(56) **References Cited**

**U.S. PATENT DOCUMENTS**

D414,335 S \* 9/1999 Cheyn ..... D3/276  
D518,957 S \* 4/2006 DeCarlo et al. .... D3/302

D563,105 S \* 3/2008 Rothschild ..... D3/302  
D578,758 S \* 10/2008 Stevens et al. .... D3/272  
D580,171 S \* 11/2008 Weng et al. .... D3/294

\* cited by examiner

*Primary Examiner* — Holly Baynham  
(74) *Attorney, Agent, or Firm* — The Nath Law Group;  
Susanne M. Hopkins; William L. Klima

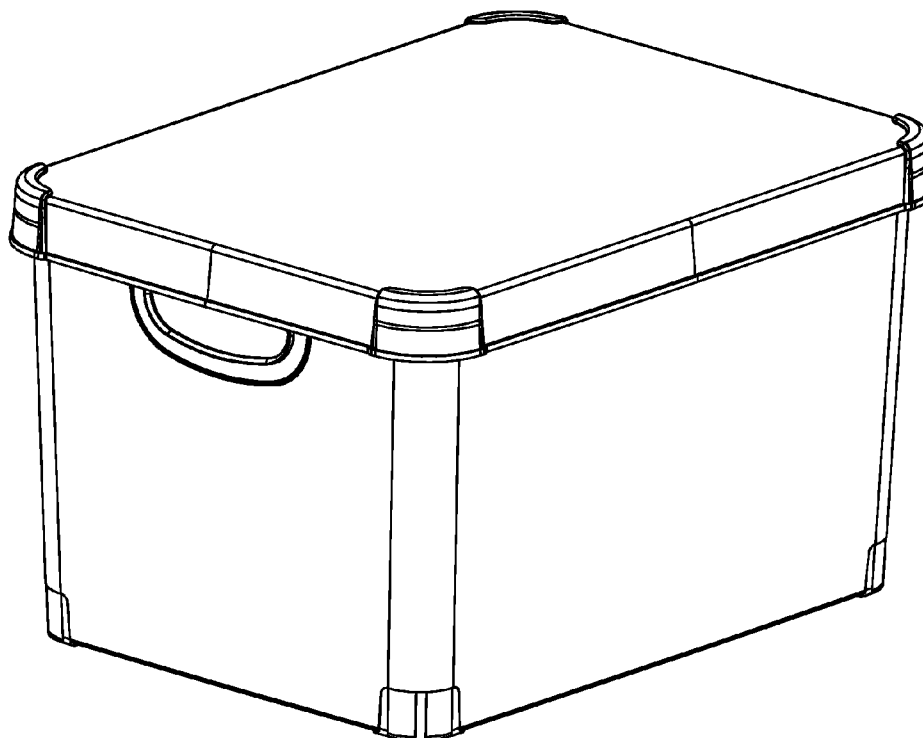
(57) **CLAIM**

What is claimed is the ornamental design for a box with cover, as shown and described.

**DESCRIPTION**

FIG. 1 is a perspective view of a first design for a box with cover;  
FIG. 2 is a side view of the first design for a box with cover; the other side being identical;  
FIG. 3 is a front view of the first design for a box with cover; the rear view being identical; and  
FIG. 4 is a top view of the first design for a box with cover.  
FIG. 5 is a perspective view of a second embodiment for a box with cover;  
FIG. 6 is a side view of the second embodiment for a box with cover; other side being identical;  
FIG. 7 is a front view of the first embodiment for a box with cover; rear view being identical; and,  
FIG. 8 is a top view of the second embodiment for a box with cover.

**1 Claim, 8 Drawing Sheets**



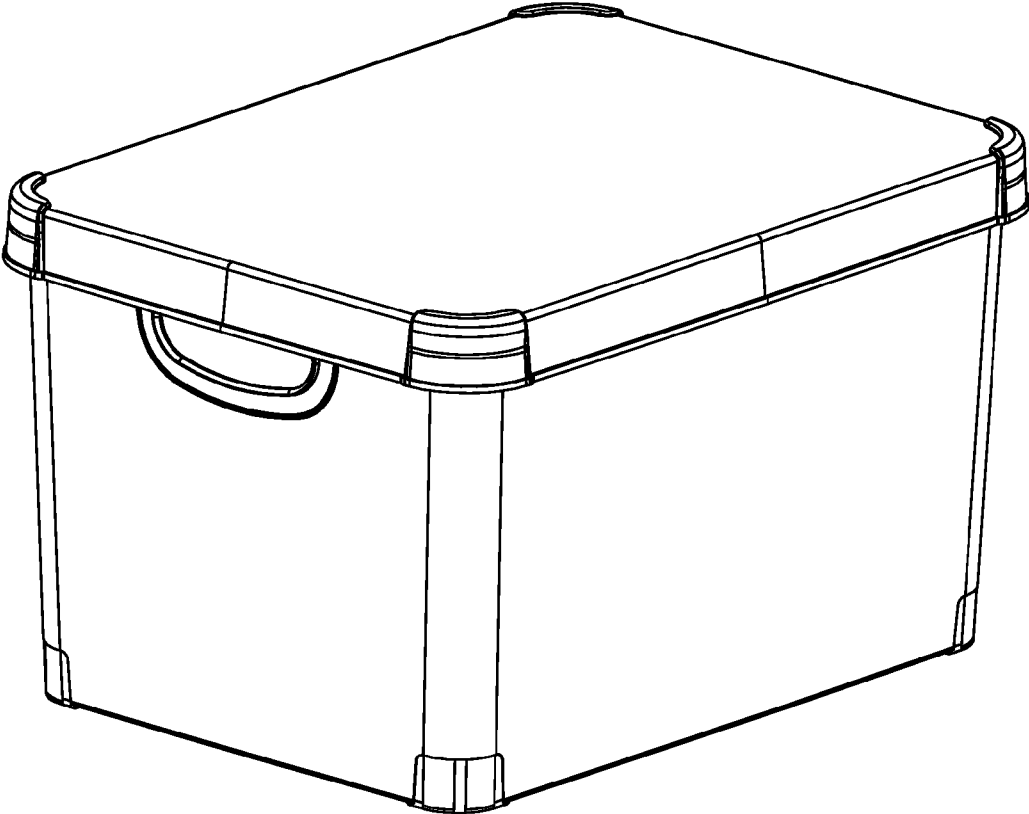


FIG. 1

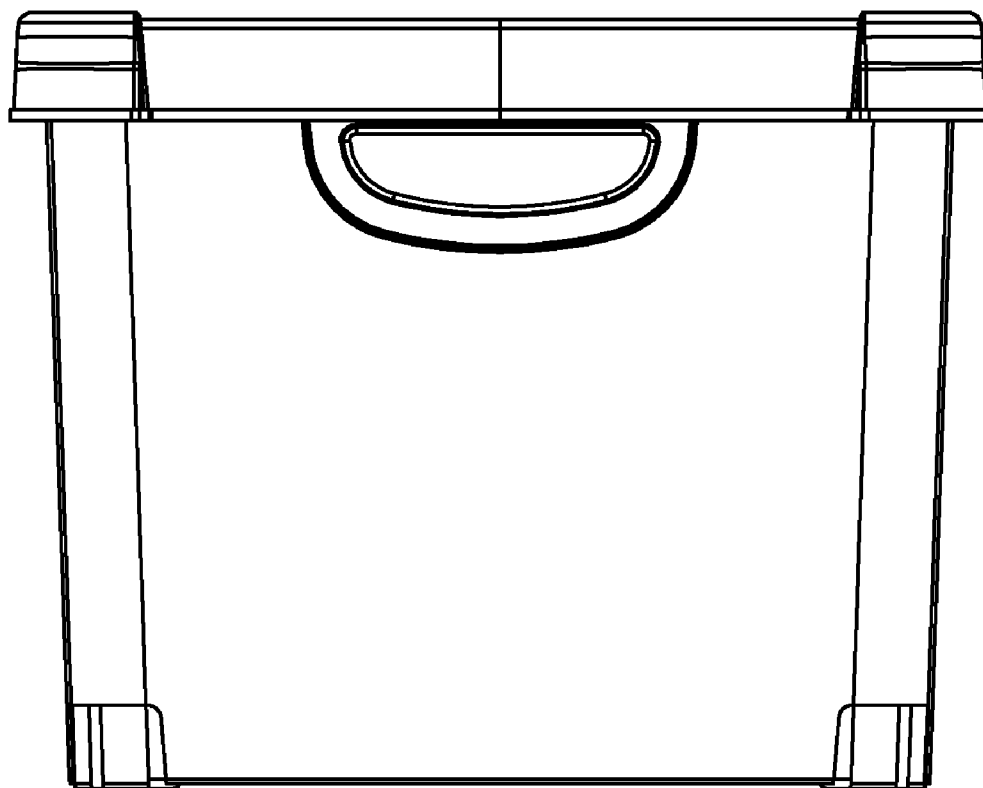


FIG. 2

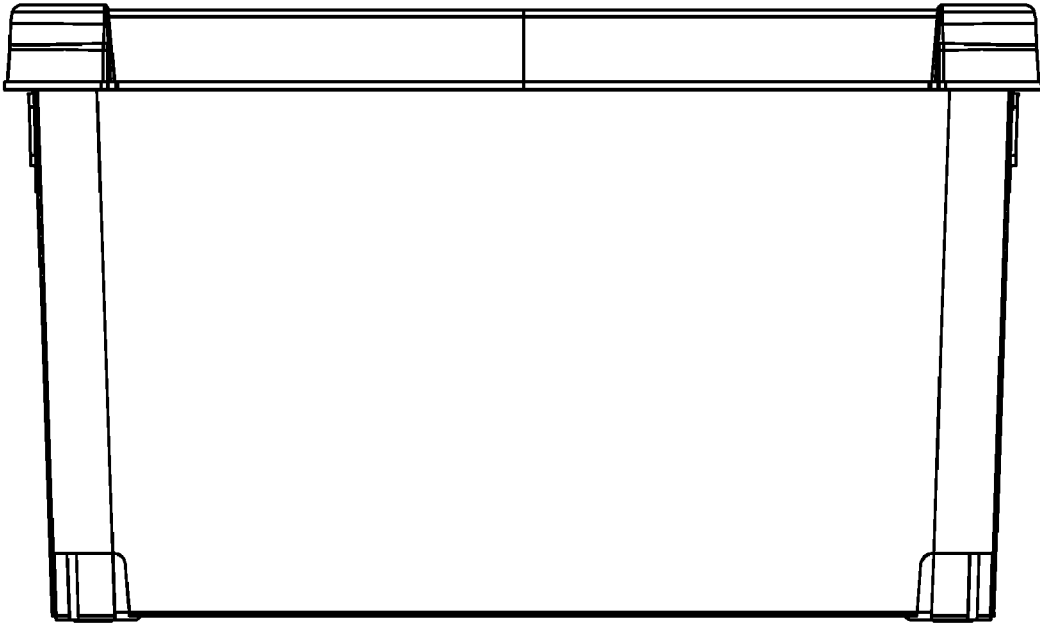


FIG. 3

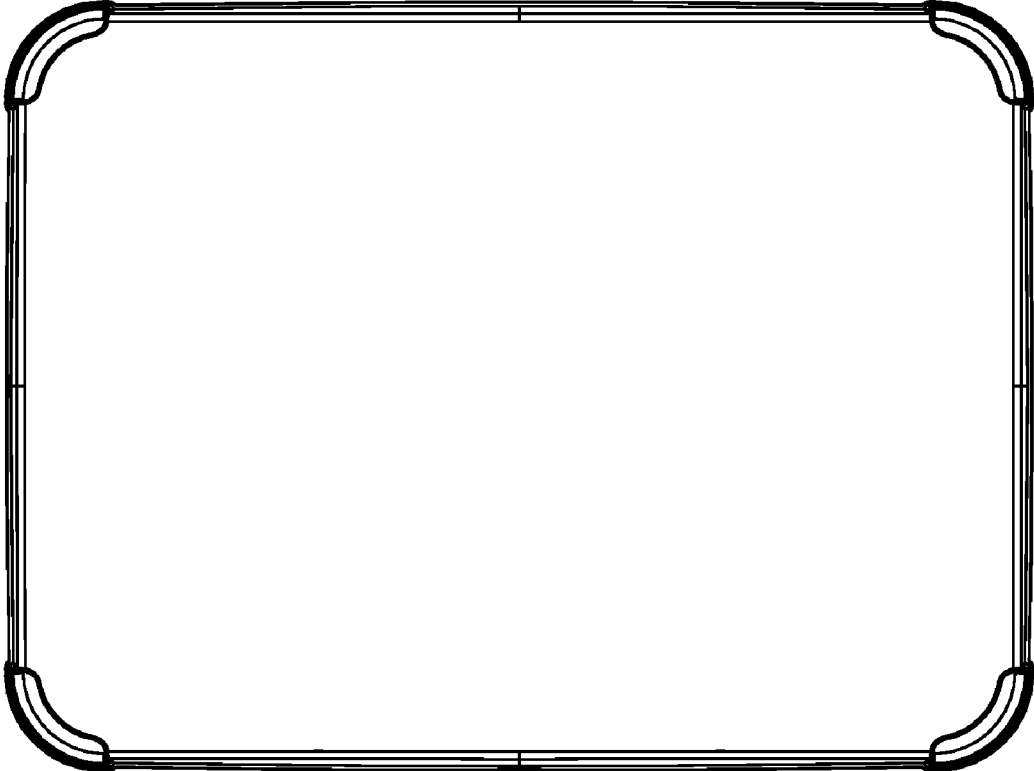


FIG. 4

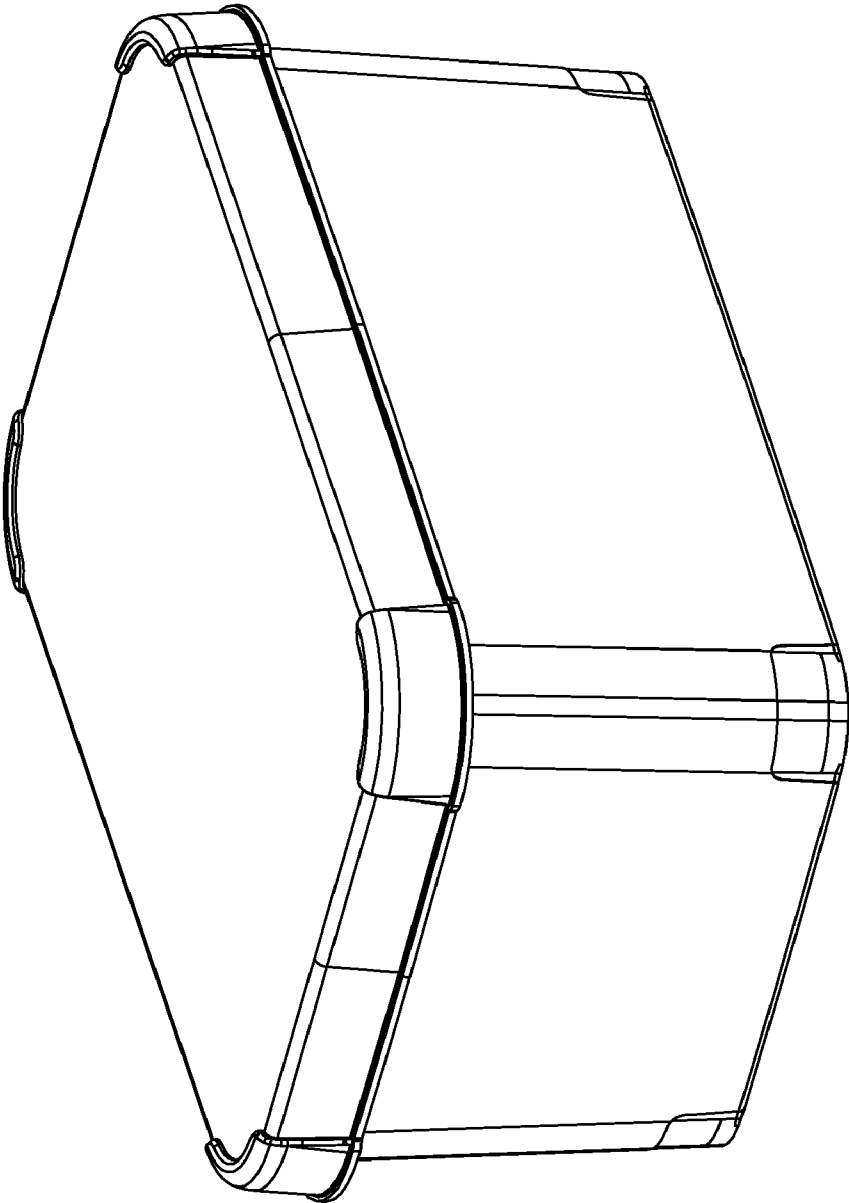


FIG. 5

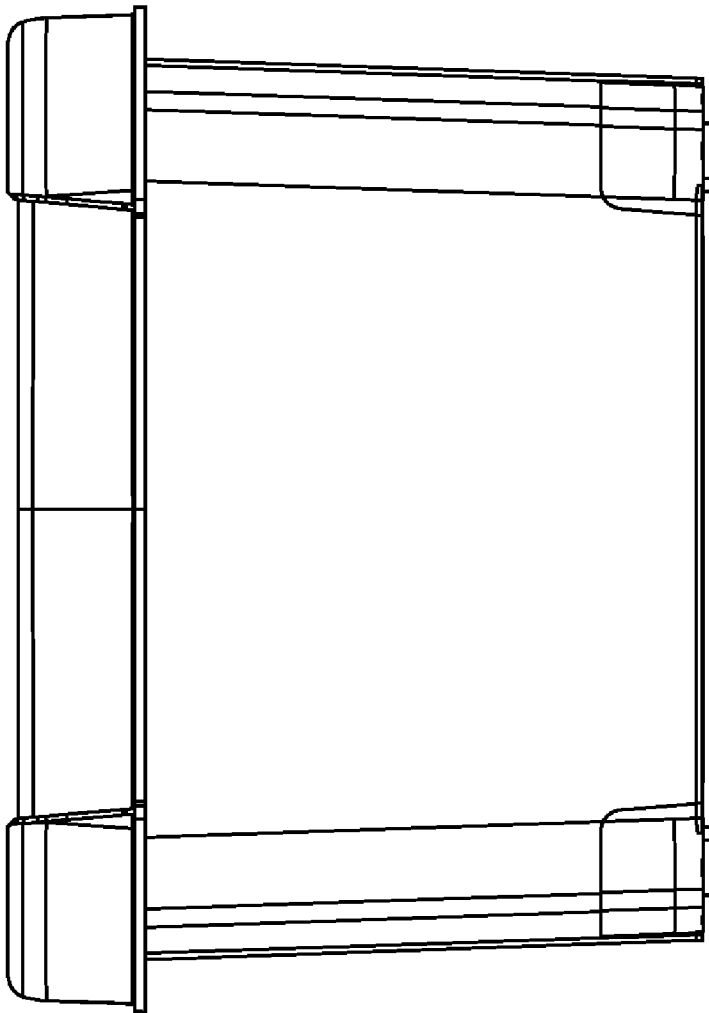


FIG. 6

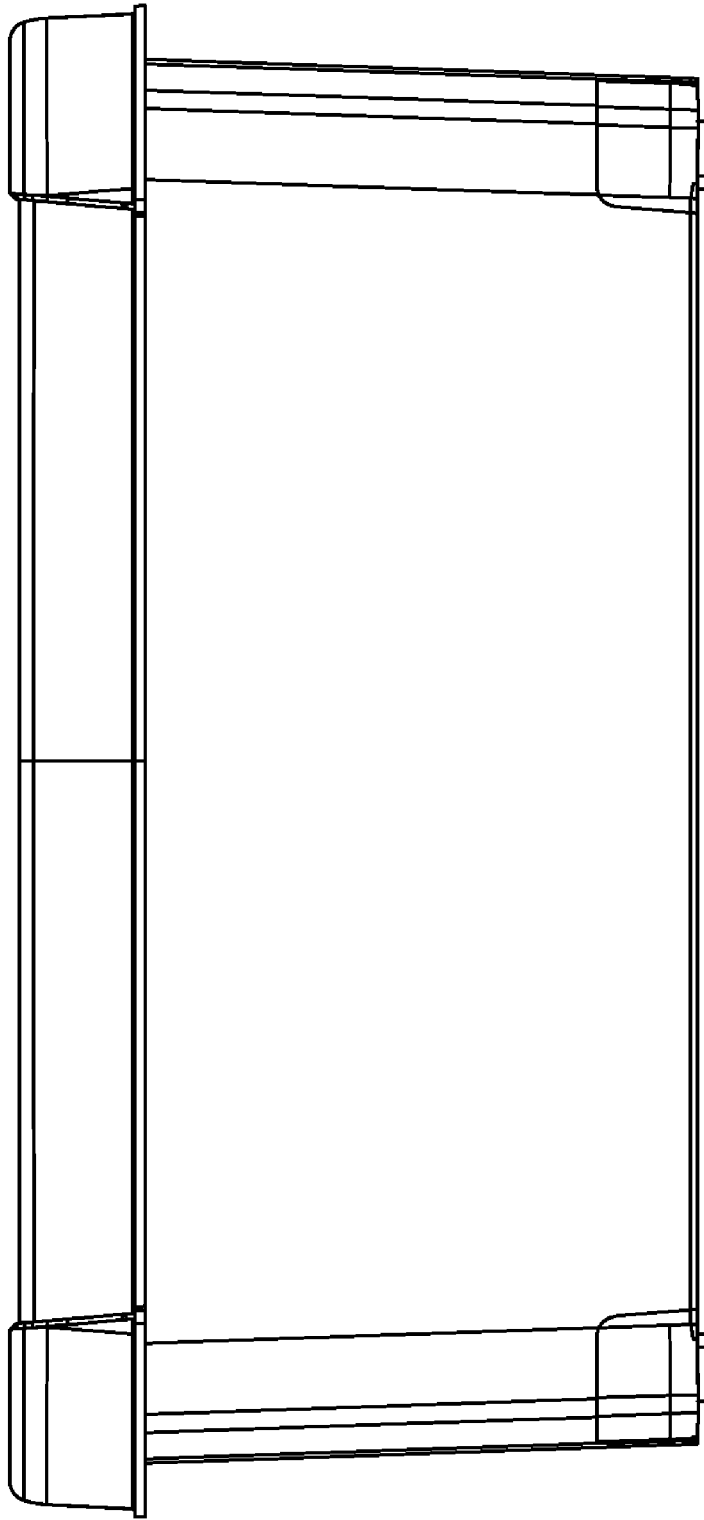


FIG. 7



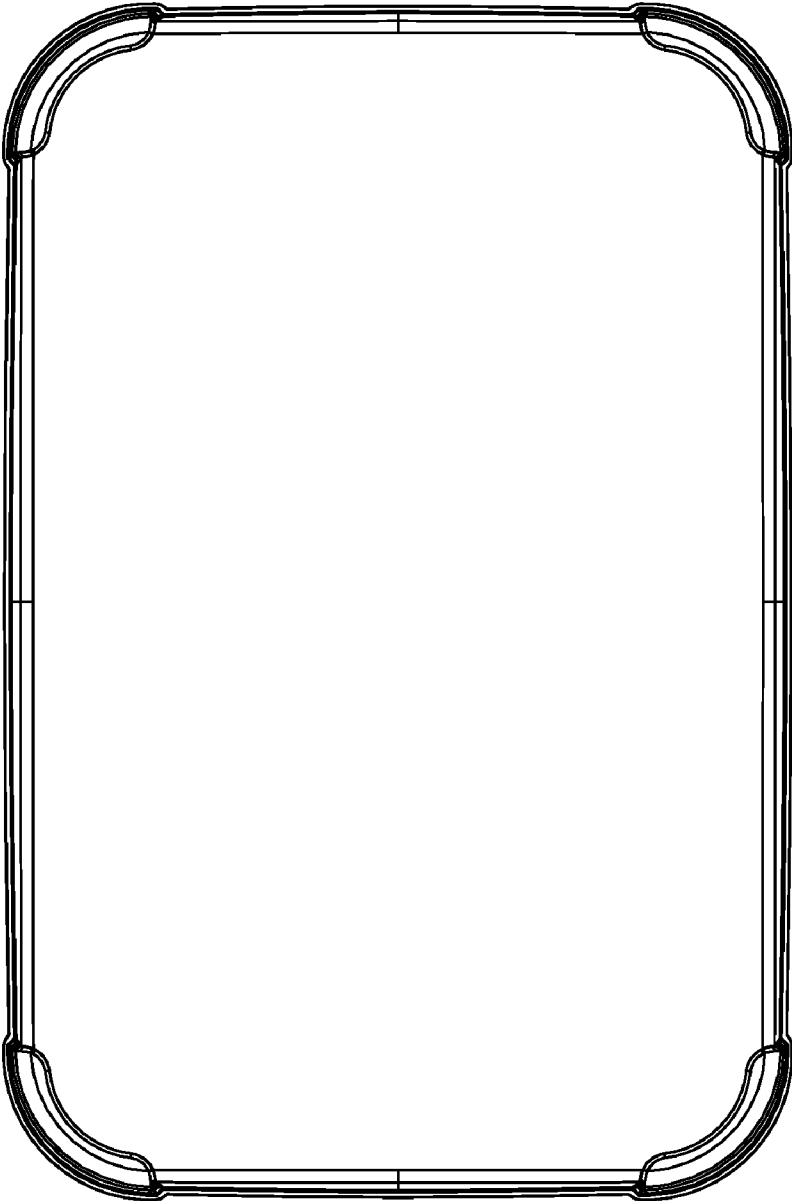


FIG. 8